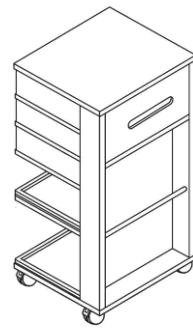
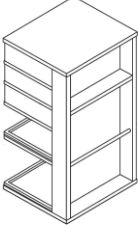
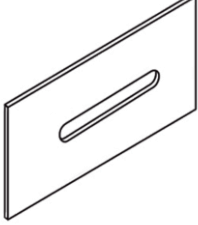
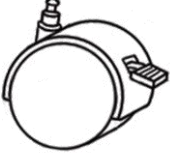



# ITEM NO.97217 97218 CABINET

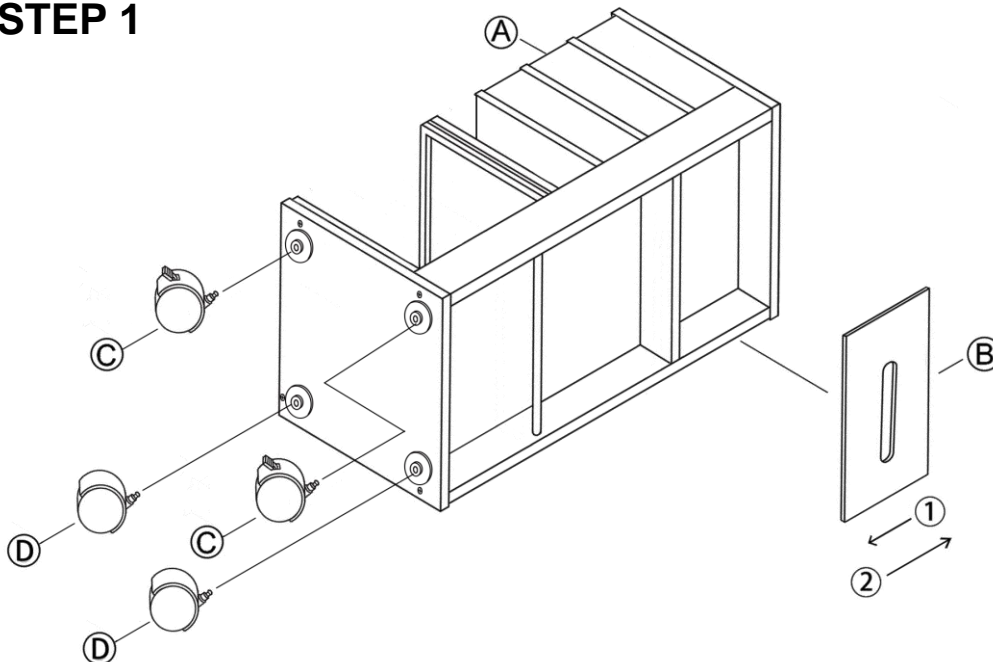


## ASSEMBLY INSTRUCTIONS

| A   | B  | C   |
|---|--|---|
|  <p>CABINET<br/>1PC</p>  |  <p>BOARD<br/>1PC</p> |  <p>CASTER WITH BRAKE<br/>2PCS</p> |
| D   |  |   |
|  <p>CASTER<br/>2PCS</p> |  |   |

**\*\*\* Do not tighten screws & bolts until the entire unit is completely assembled. \*\*\***

### STEP 1



Attach board (B), caster with brake (C) and caster (D) to cabinet (A) as shown.