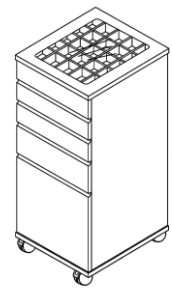
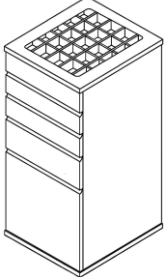
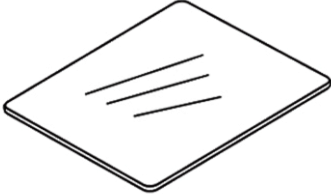


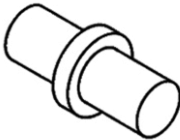
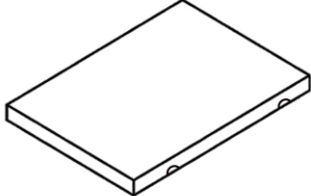


# ITEM NO.97215 97216 JEWELRY ARMOIRE

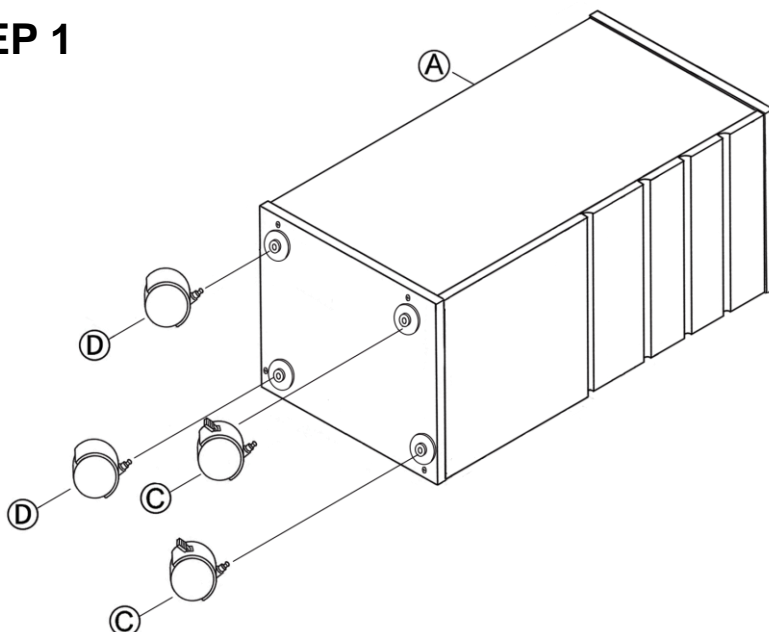


## ASSEMBLY INSTRUCTIONS

A	B	C
 <p><b>JEWELRY ARMOIRE</b> 1PC</p>	 <p><b>GLASS TOP</b> 1PC</p>	 <p><b>CASTER WITH BRAKE</b> 2PCS</p>
D	E	F
 <p><b>CASTER</b> 2PCS</p>	 <p><b>TENON</b> 4PCS</p>	 <p><b>WOOD SHELF</b> 1PC</p>

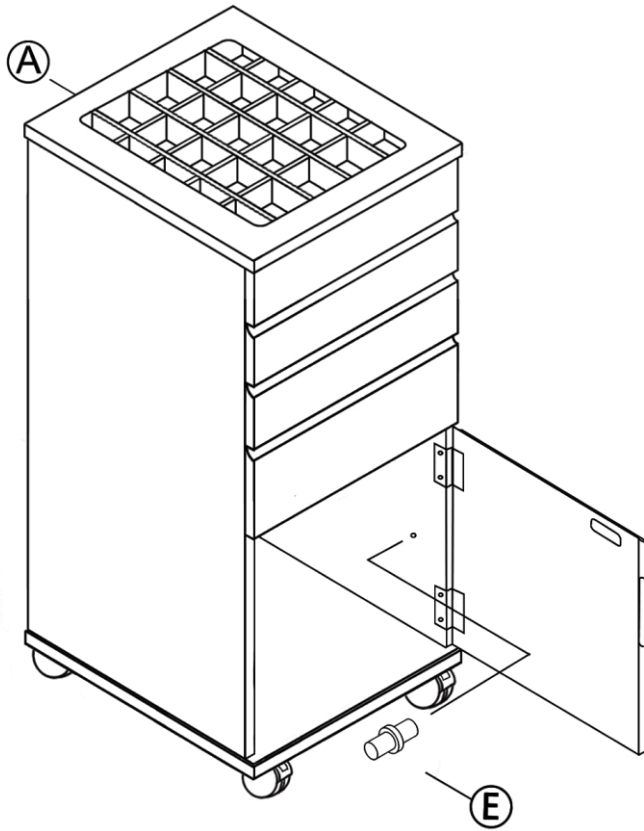
**\*\*\* Do not tighten screws & bolts until the entire unit is completely assembled. \*\*\***

### STEP 1



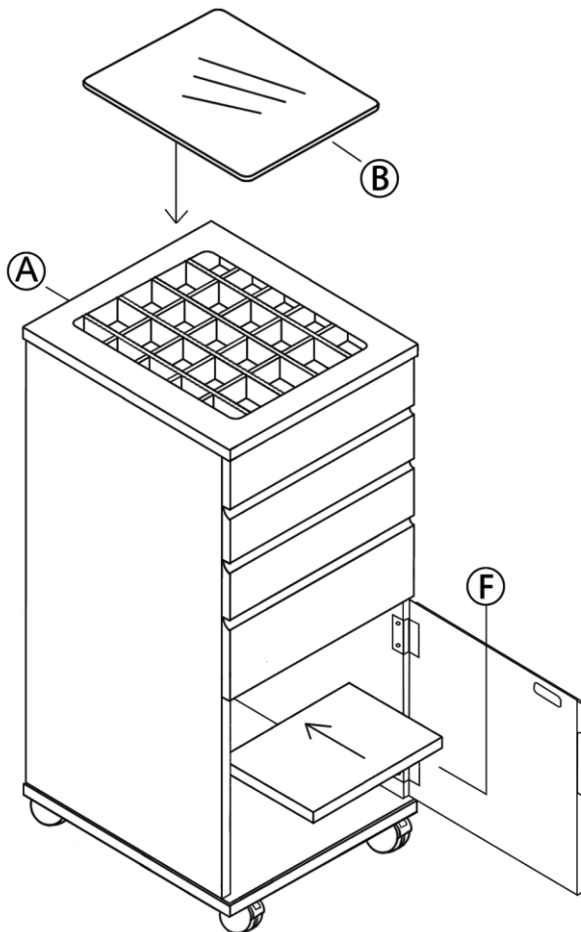
Attach caster with brake (C) and caster (D) to jewelry armoire (A) as shown.

## STEP 2



Open the door, then attach four tenons (E) to jewelry armoire (A) as shown.

## STEP 3



Place the wood shelf (F), and put the glass top on the jewelry armoire (A) as shown.