




# ASSEMBLY INSTRUCTIONS FOR ACME FURNITURE








## MODEL#61802

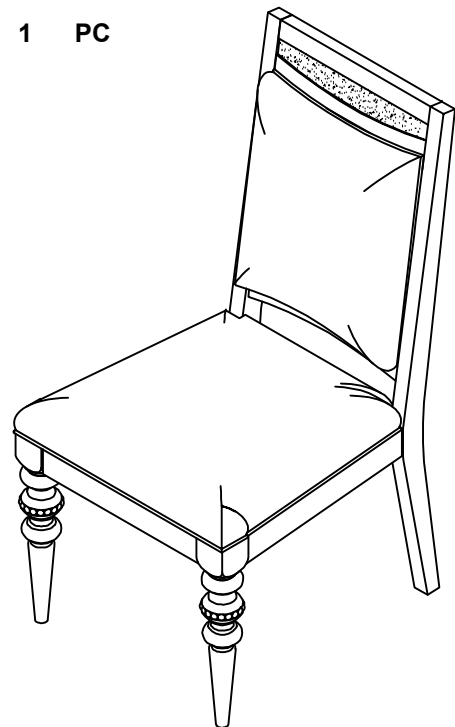
Thank you for purchasing this quality product. Be sure to check all packing material carefully for small parts which may have come loose inside the carton during shipment. Separate, identify and count all parts and metal hardware. Compare with parts list to be sure all parts are present. If any part(s) are missing or damaged, please contact your local furniture dealer. For efficient and speedy service, please indicate the model number and code letter of part(s) needed.

\*\*\* Do not fully tighten screws until fully assembled \*\*\*

<b>COMPONENT PARTS</b>		
<b>DESCRIPTION</b>	<b>PART NAME</b>	<b>Q'TY (PCS)</b>
(A)	BACK FRAME 	1
(B)	SEAT FRAME 	1
(C)	FRONT LEGS 	2

## HARDWARE REQUIRED

①		<b>BOLT</b>	$\phi 5/16'' \times 40\text{mm}$	<b>2 PCS</b>
②		<b>BOLT</b>	$\phi 5/16'' \times 75\text{mm}$	<b>4 PCS</b>
③		<b>BOLT</b>	$\phi 5/16'' \times 60\text{mm}$	<b>4 PCS</b>
④		<b>SPRING WASHER</b>	$\phi 5/16'' \times 11 \times 2\text{mm}$	<b>10 PCS</b>
⑤		<b>FLAT WASHER</b>	$\phi 5/16'' \times 19 \times 2\text{mm}$	<b>10 PCS</b>
⑥		<b>ALLEN KEY</b>	<b>M4</b>	<b>1 PC</b>
⑦		<b>WOODEN DOWEL</b>	$\phi 10 \times 30\text{mm}$	<b>1 PC</b>

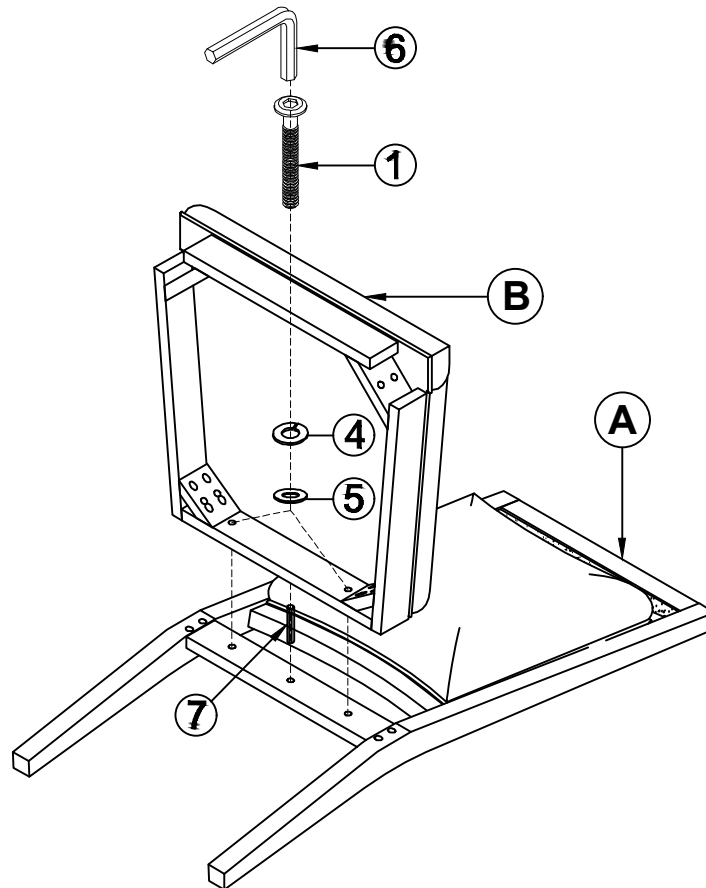


### Attention

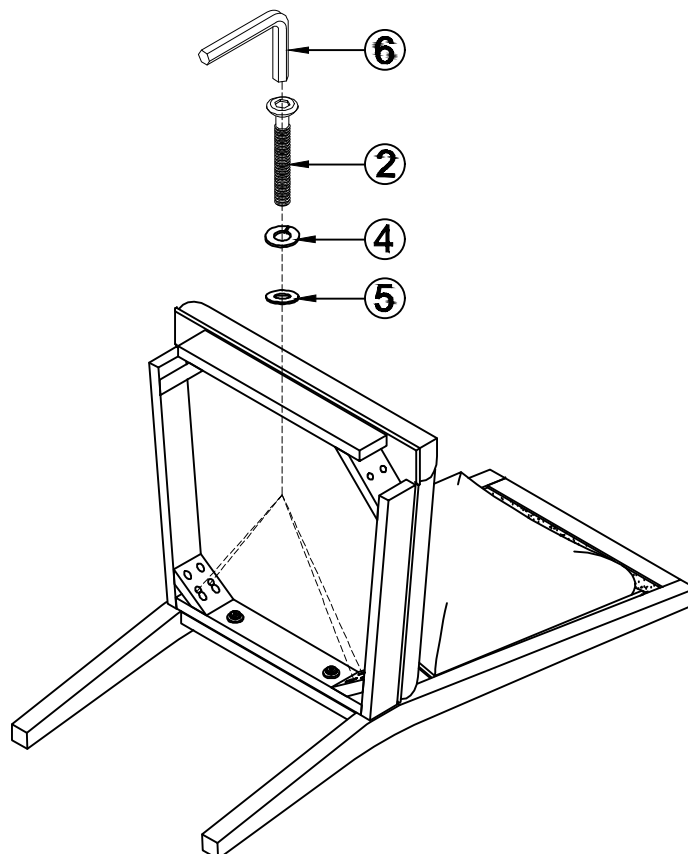
\*\*\*Some number parts listed on the instruction sheet may not be in parts bag as they may already be assembled. Carefully check parts and packing materials prior to ordering replacements.

## How to assemble:

### STEP 1



### STEP 2



# How to assemble:

## STEP 3

