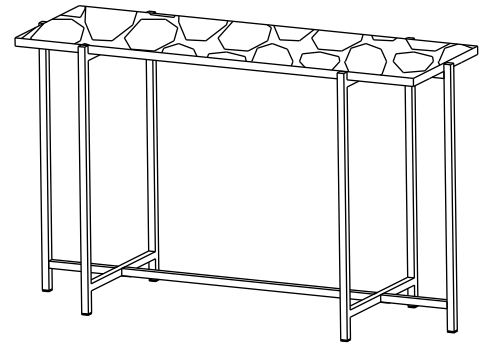
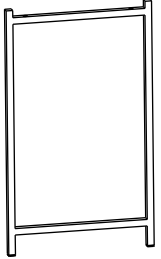
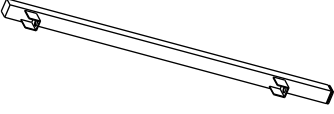
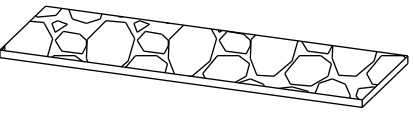
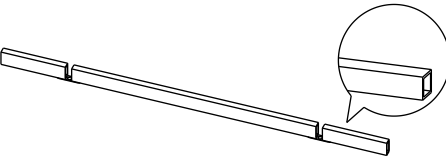
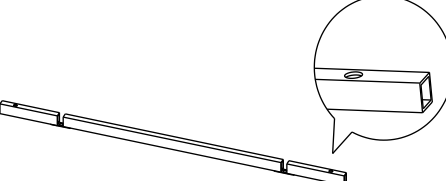
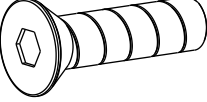
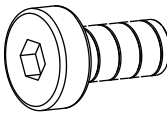
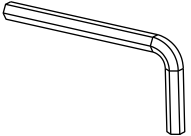


# ITEM NO. 83939 SOFA TABLE

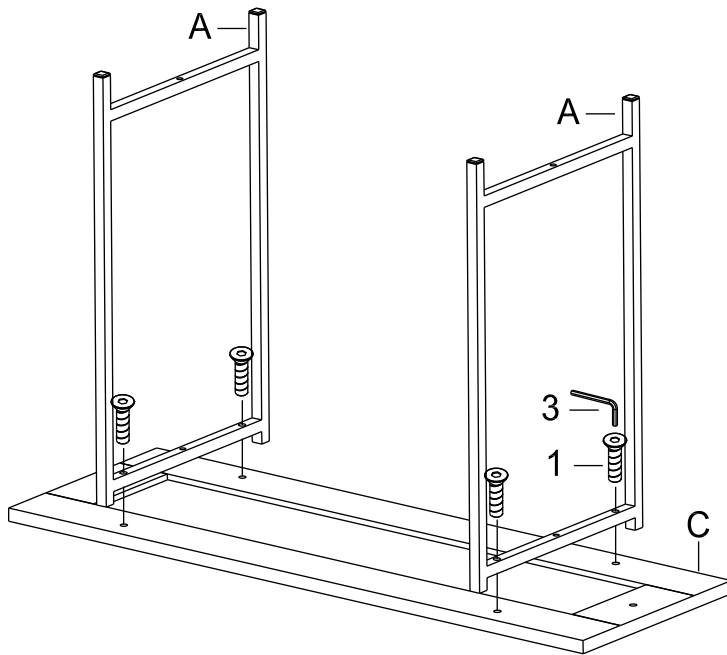


## ASSEMBLY INSTRUCTIONS

<p style="text-align: center;"><b>A</b></p>  <p style="text-align: center;"><b>LEG 2PCS</b></p>	<p style="text-align: center;"><b>B</b></p>  <p style="text-align: center;"><b>SHORT LEG 2PCS</b></p>	<p style="text-align: center;"><b>C</b></p>  <p style="text-align: center;"><b>WOOD TOP 1PC</b></p>
<p style="text-align: center;"><b>D</b></p>  <p style="text-align: center;"><b>BOTTOM STRETCHER 1PC</b></p> <p style="text-align: center;"><b>1</b></p>	<p style="text-align: center;"><b>E</b></p>  <p style="text-align: center;"><b>TOP STRETCHER 1PC</b></p> <p style="text-align: center;"><b>2</b></p>	<p style="text-align: center;"><b>3</b></p>
 <p style="text-align: center;"><b>BOLT 1/4" X 1" 6PCS</b></p>	 <p style="text-align: center;"><b>BOLT 1/4" X 1/2" 8PCS</b></p>	 <p style="text-align: center;"><b>ALLEN KEY 1PC</b></p>

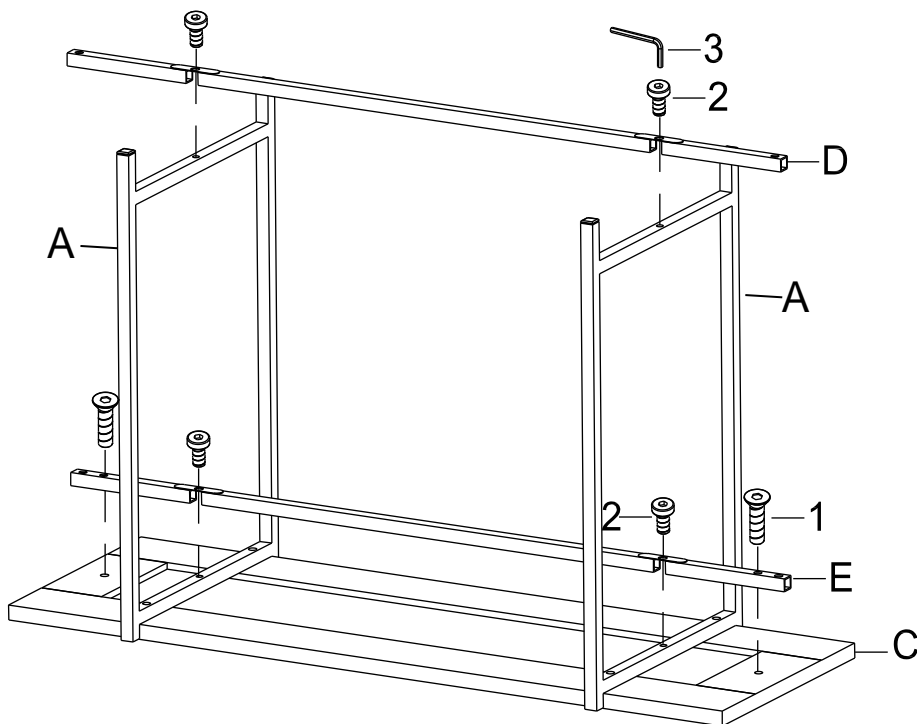
**\*\*\* Do not tighten screws & bolts until the entire unit is completely assembled. \*\*\***

## STEP 1



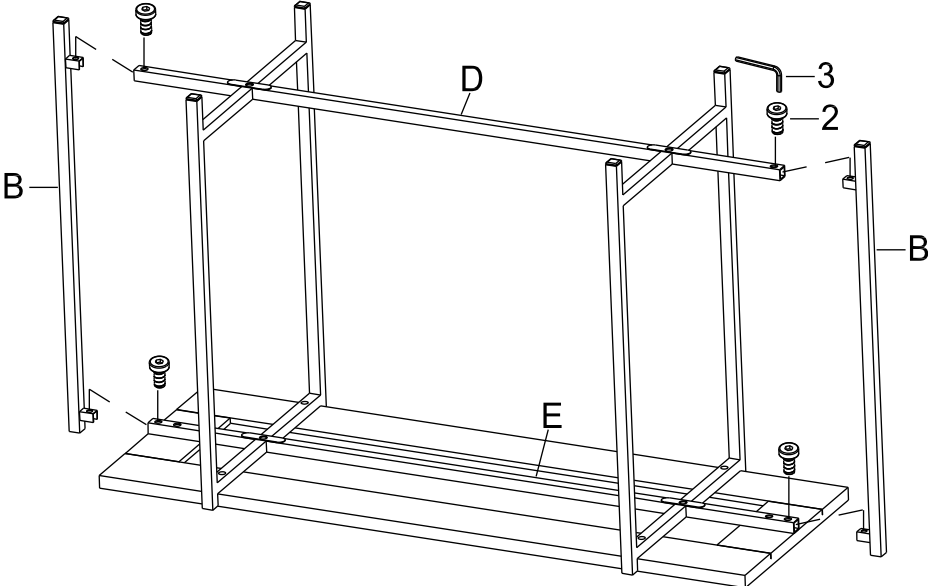
Attach leg (A) to wood top (C) using bolts (1) and allen key (3) as shown.

## STEP 2



Attach top stretcher (E) to leg (A) and wood top (C) using bolts (1) (2) and allen key (3), then attach bottom stretcher (D) to leg (A) using bolts (2) and allen key (3) as shown.

**STEP 3**



Attach short leg (B) to  
stretcher (E) (D) using bolts  
(2) and allen key (3) as  
shown.