













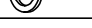

ASSEMBLY INSTRUCTIONS FOR ACME FURNITURE MODEL#72222

Thank you for purchasing the quality product. Be sure to check all packing material carefully for small parts which may have come loose inside the carton during shipment. Separate, identify and count all parts and metal hardware. Compare with all parts list to be sure all parts are present. If any part(s) are missing or damaged, please contact your local furniture dealer. For efficient and speedy service, please indicate the model number and code letter of part(s) needed

COMPONENT PARTS

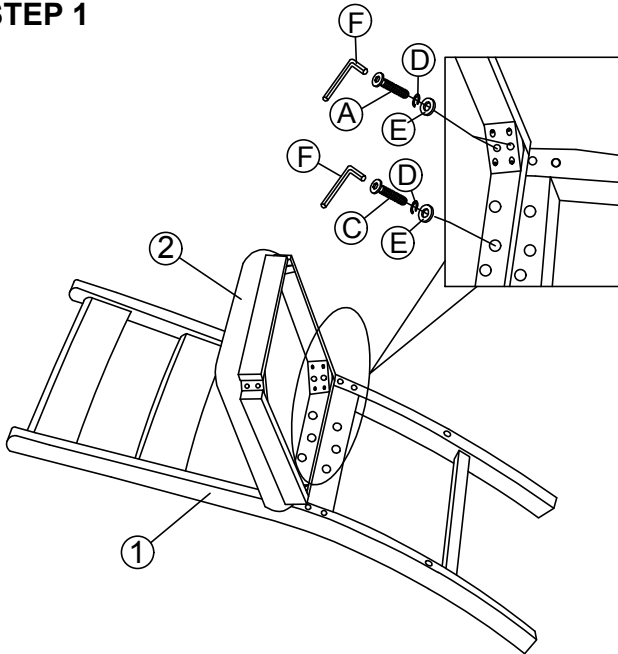
NO	DESCRIPTION	SRETCH	QTY
①	Chair Back		1 Pc
②	Seat Frame		1 Pc
③	Left Front Leg		1 Pc
④	Right Front Leg		1 Pc
⑤	Left Side Stretcher		1 Pc
⑥	Right Side Stretcher		1 Pc
⑦	Front Stretcher		1 Pc

HARDWARE REQUIRED

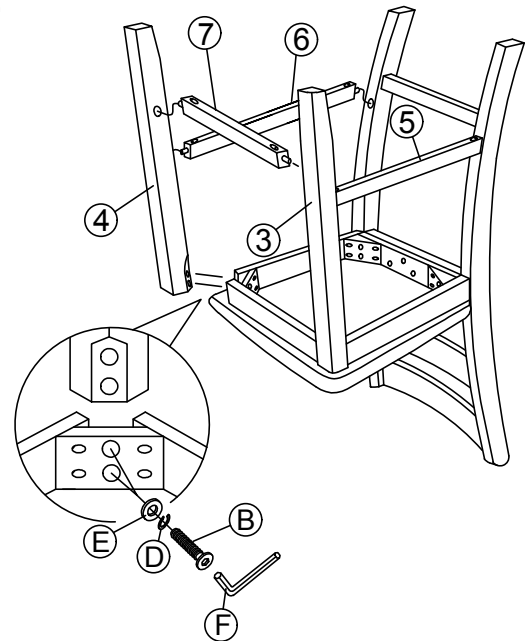
NO	DESCRIPTION	SRETCH	QTY
Ⓐ	Bolt (Long) Ø1/4 * 75mm		4 Pcs
Ⓑ	Bolt (Medium) Ø1/4 * 60mm		4 Pcs
Ⓒ	Bolt (Short) Ø1/4 * 30mm		3 Pcs
Ⓓ	Spring Washer Ø5/16 * 13		11 Pcs
Ⓔ	Flat Washer Ø5/16 * 19		11 Pcs
Ⓕ	Allen Key M4		1 Pc
Ⓖ	Screw Ø4 * 40mm		6 Pcs

*** Do not fully tighten screws until fully assembled ***

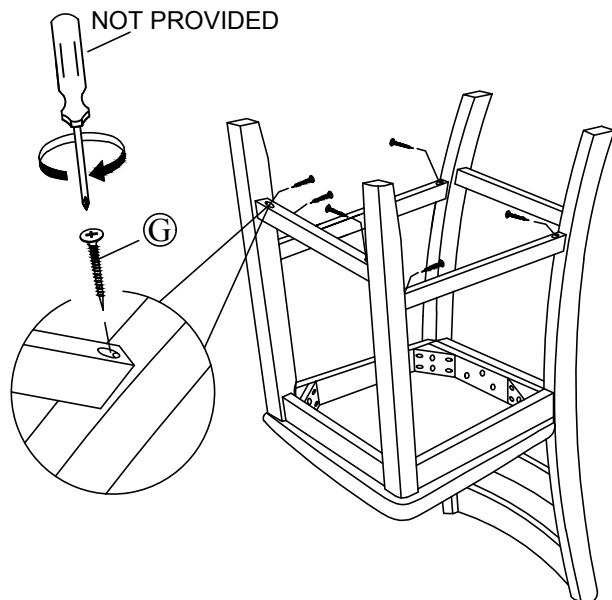
STEP 1



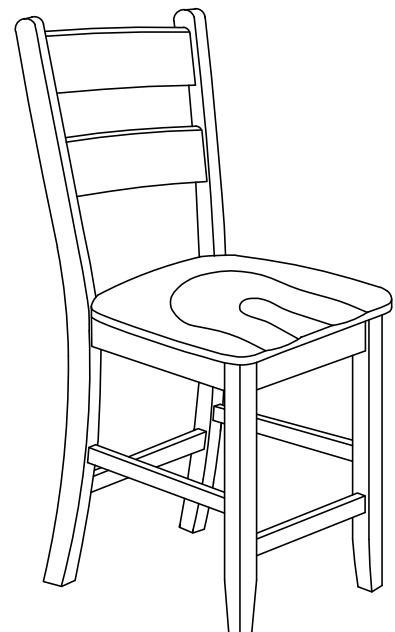
STEP 2



STEP 3



STEP 4



Attention
***Some number parts listed on the instruction sheet may not be in parts bag as they may already be assembled. Carefully check parts and packing materials prior to ordering replacements.

Made in Viet Nam