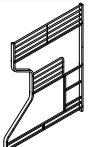
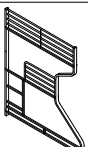
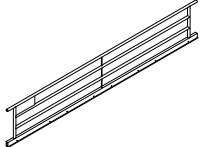
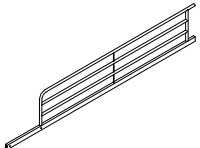
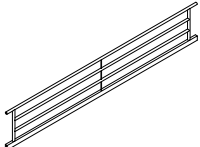


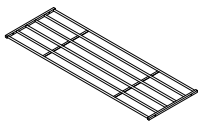
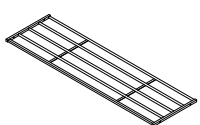


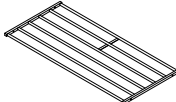
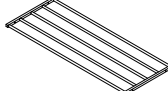
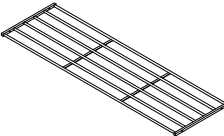
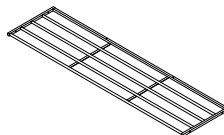

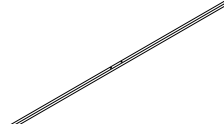
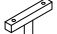
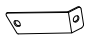
# ASSEMBLY INSTRUCTION FOR ACME FURNITURE

## MODEL# 37790 & 37795 F/T/Q 3layer Bunk Bed

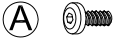
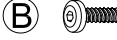
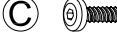
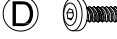
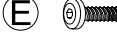
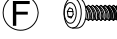





Thank you for purchasing this quality product. Be sure to check all packing materials carefully for small parts which may have come loose inside the carton during shipment. Separate, identify, and count all parts and metal hardware. Compare with parts list to be sure all parts are present. If any part(s) are missing or damaged, please contact your local furniture dealer. For efficient and speedy service, please indicate the model number and code letter of the part(s) needed.

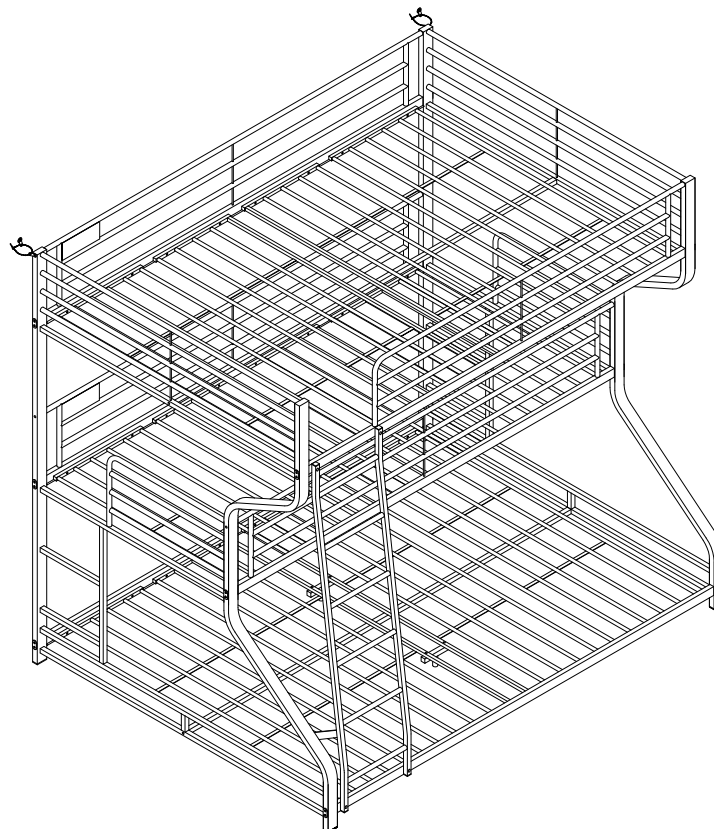
**\*\*\* Do not fully tighten screws until fully assembled \*\*\***

COMPONENT PARTS		
DECERPTION	PART NAME	Q'TY(PCS)
①	Left Headboard 	1pc
②	Right Headboard 	1pc
③	Rear Guardrail 	2pcs
④	Top Guardrail 	1pc
⑤	Middle Guardrail 	1pc
⑥	Rear Bottom Tube 	1pc
⑦	Front Bottom Tube 	1pc
⑧	Upper End Side Slat 	2pcs
⑨	Upper Middle Slat 	2pcs

⑩	Middle End Side Slat		2pcs
⑪	Middle Middle Slat		2pcs
⑫	Lower End Side Slat		2pcs
⑬	Lower Middle Slat		2pcs
⑭	Ladder		1pc
⑮	Center Support Tube		2pcs
⑯	Support Leg		2pcs
⑰	Fasteners		1pc

## HARDWARE REQUIRED:

	Bolt 1/4"x5/8" - 2pcs
	Bolt 1/4"x1" - 52pcs
	Bolt 1/4"x1-1/8" - 4pcs
	Bolt 1/4"x1-3/8" - 8pcs
	Bolt 1/4"x3" - 7pcs
	Bolt 1/4"x3" - 24pcs
	Allen Wrench M4 - 1pc
	Screw M4x37 - 2pcs
	Metal Plate - 4pcs
	Bracket - 2pcs
	Girding - 2pcs



**Attention:**

\*\*\*Mattresses not included.

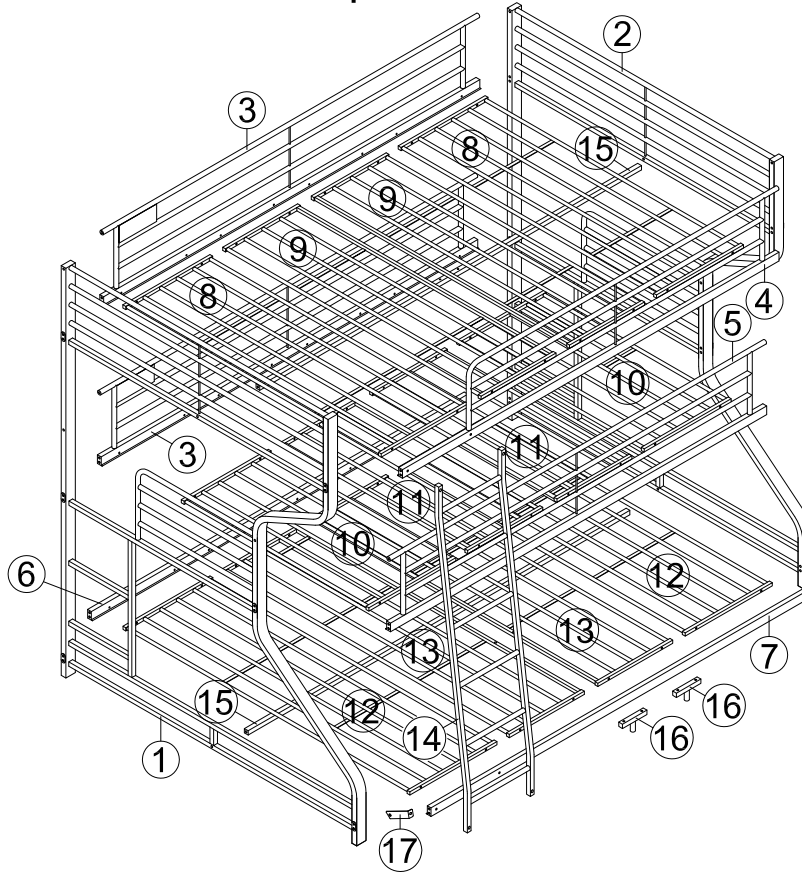
\*\*\*Some number parts listed on the instruction sheet may not be in parts bag as they may already be assemble.

Carefully check parts and packing materials prior to ordering replacements.

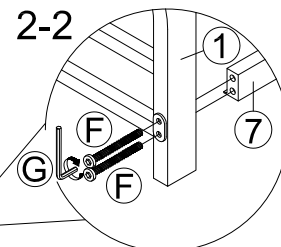
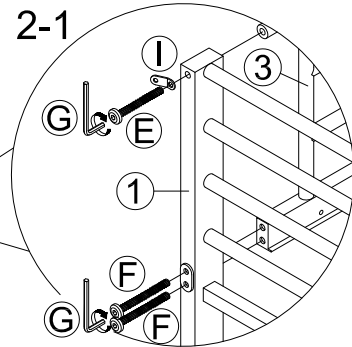
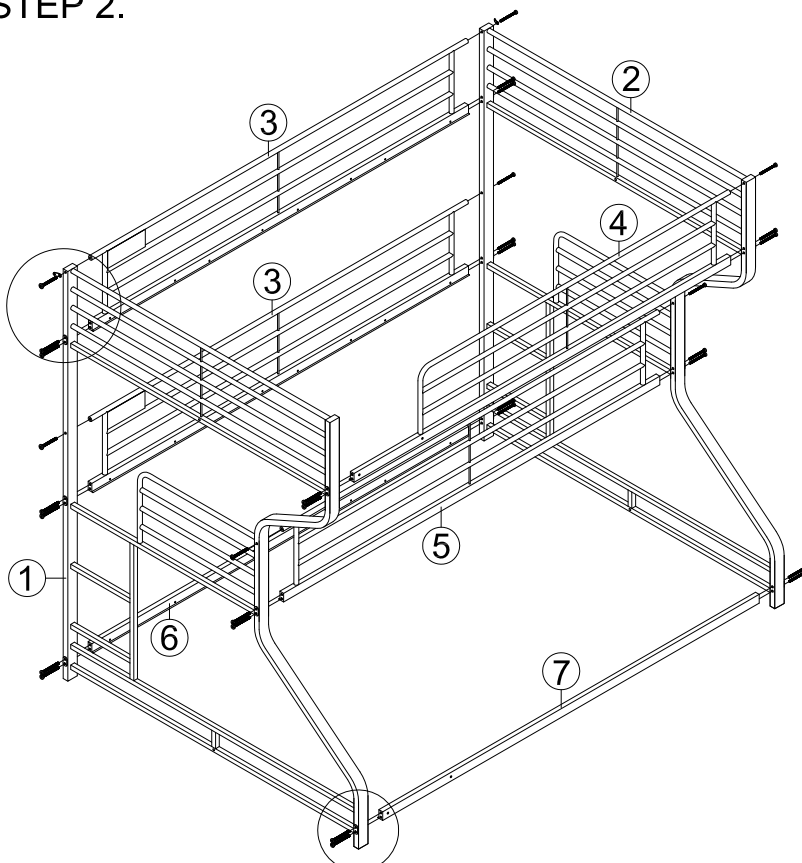
# How to Assemble:

STEP 1.

Exploded View



STEP 2.

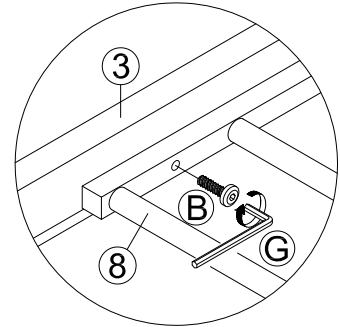
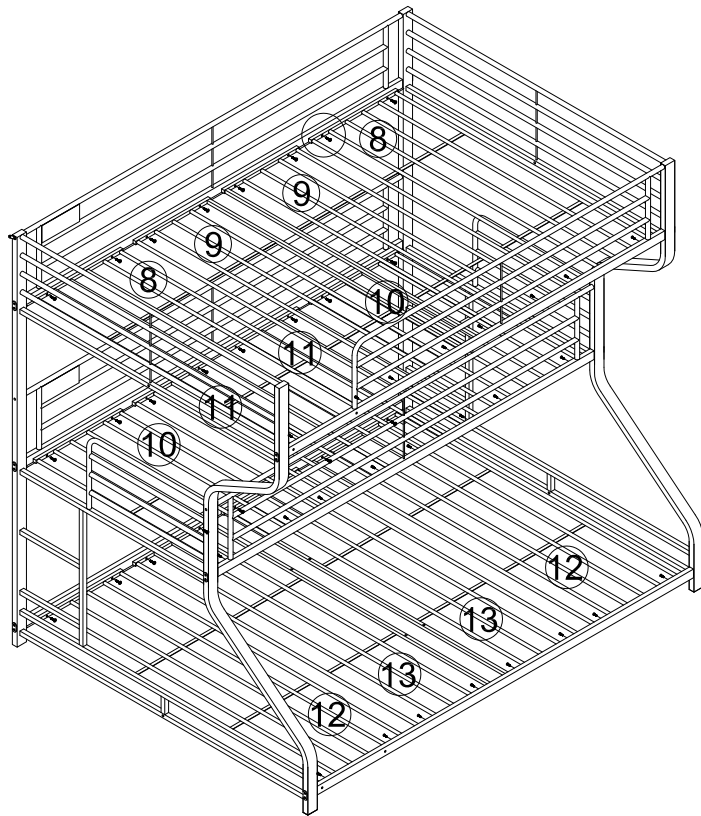


(E)		7pcs
(F)		24pcs
(I)		2pcs

DO NOT TIGHTEN THE SCREWS UNTIL ASSEMBLING THE FINAL STEP.

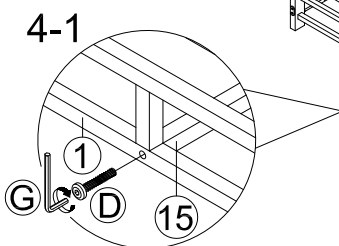
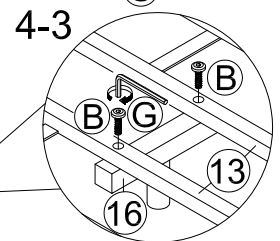
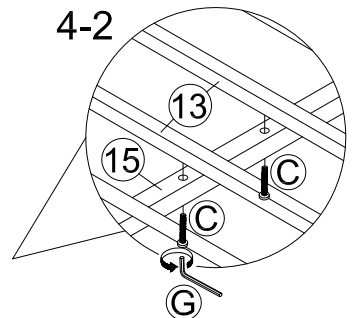
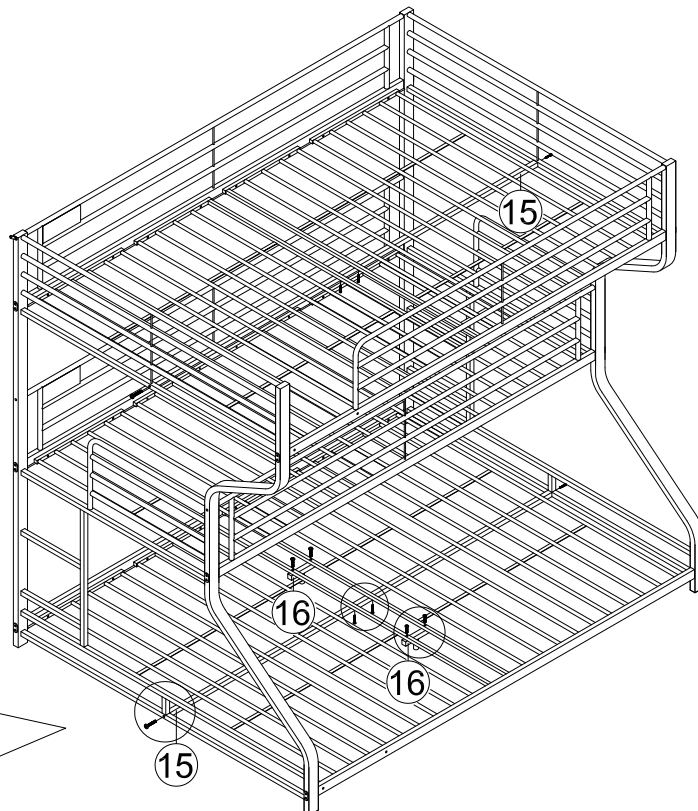
# How to Assemble:

## STEP 3.



<b>B</b>		48pcs
----------	--	-------

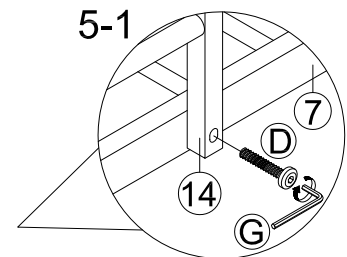
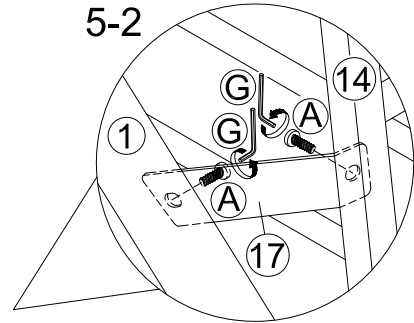
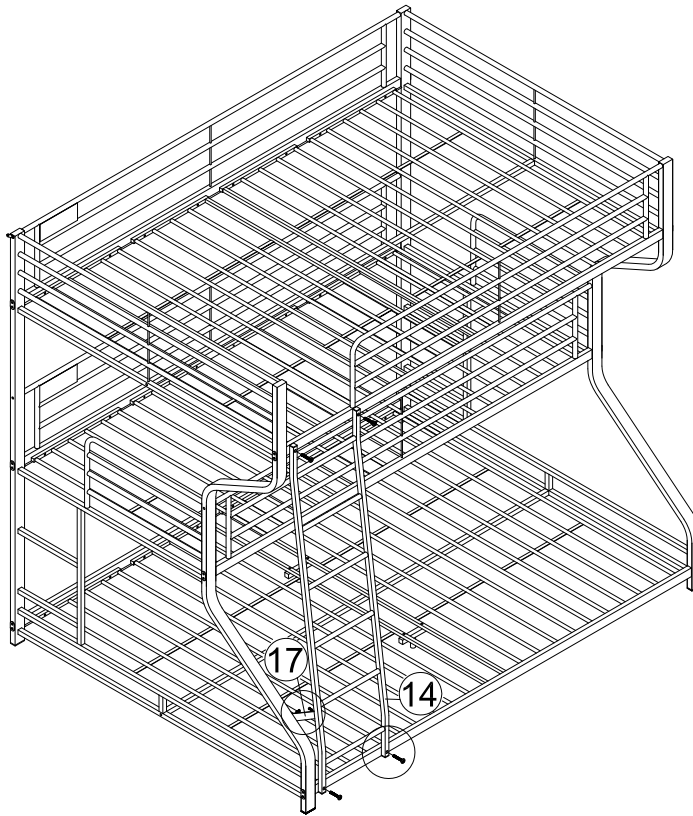
## STEP 4.





<b>B</b>		4pcs
<b>C</b>		4pcs
<b>D</b>		4pcs

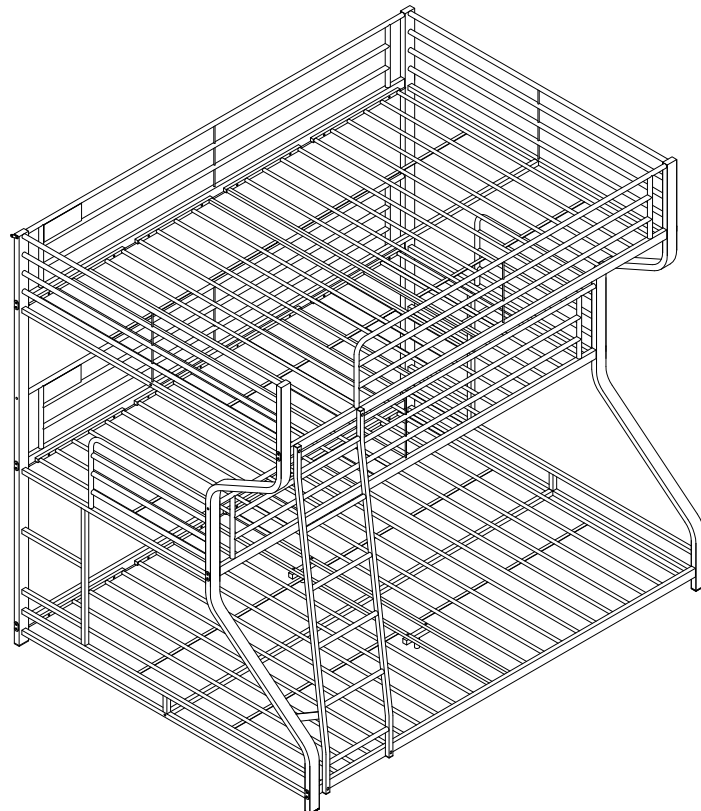
# How to Assemble:

## STEP 5.



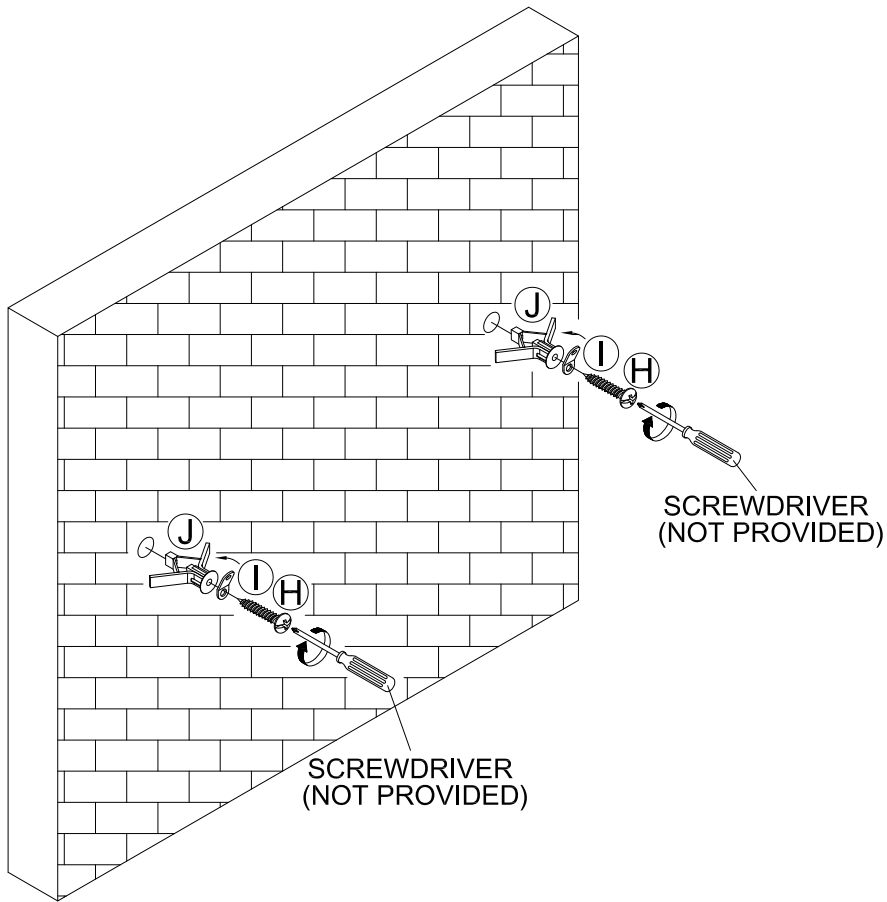
(A)		2pcs
(D)		4pcs



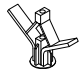
## STEP 6.



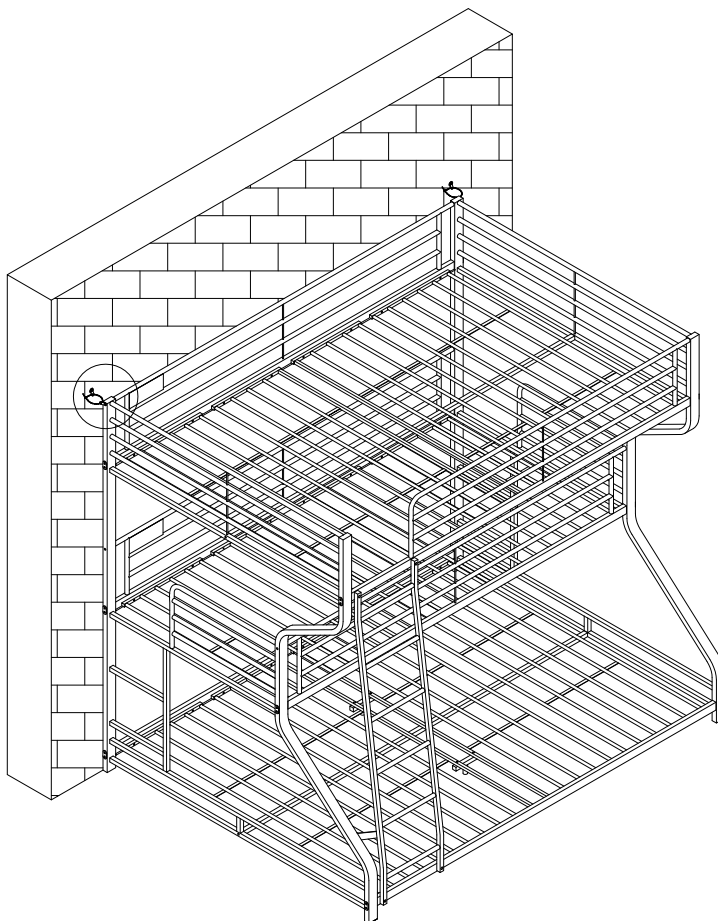
# How to Assemble:

## STEP 7.

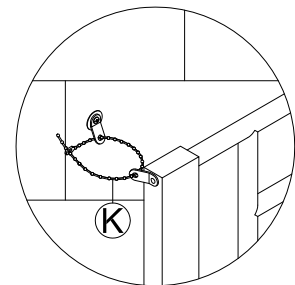



<b>H</b>		2pcs
<b>I</b>		2pcs
<b>J</b>		2pcs

## STEP 8.



To Prevent Tip over  
Product Must Be  
Attached To Wall



<b>K</b>		2pcs
----------	---	------

## Safety Warnings

1. Follow the information on the warnings appearing on the upper bunk end structure and on the carton . Do not remove warning label from bed.
2. Always use the recommended size mattress or/and mattress support to help prevent the likelihood of entrapment or falls.
3. Surface of mattress must be at least 5 in. below the upper edge of guardrails .
4. Do not allow children less than 6 years of age to use the upper bunk.
5. Periodically check and ensure that the guardrail, ladder ,and other components are in their proper position ,free from damage ,and that all connectors are tight .
6. Prohibit horseplay on/or under the bed and prohibit jumping on the bed.
7. Always use the ladder for entering and leaving the upper bunk.
8. Do not use substitute parts ,Contact manufacturer or dealer for replacement parts.
9. Use of a night light may provide added safety precaution for a child using the upper bunk.
10. Always use guardrails on both long sides of the upper bunk.
11. If the bunk bed will be placed next to a wall, the guardrail that runs the full length of the bed should be placed against the wall to prevent entrapment between the bed and the wall.
12. The use of water or sleep flotation mattress is prohibited .
13. Keep these instructions for future reference.
14. Use only the mattress is 78 3/4"x54" x5" in the upper and middle need 78 3/4"x39" x5" and lower berths required 78 3/4"x60" x5" mattress.
15. Prohibit more than one person on upper bunk.

### STRANGULATION HAZARD:

16. Never attach or hang items to any part of the bunk bed that are not designed for use with the bed for example, but not limited to hooks, belts, and jump ropes.