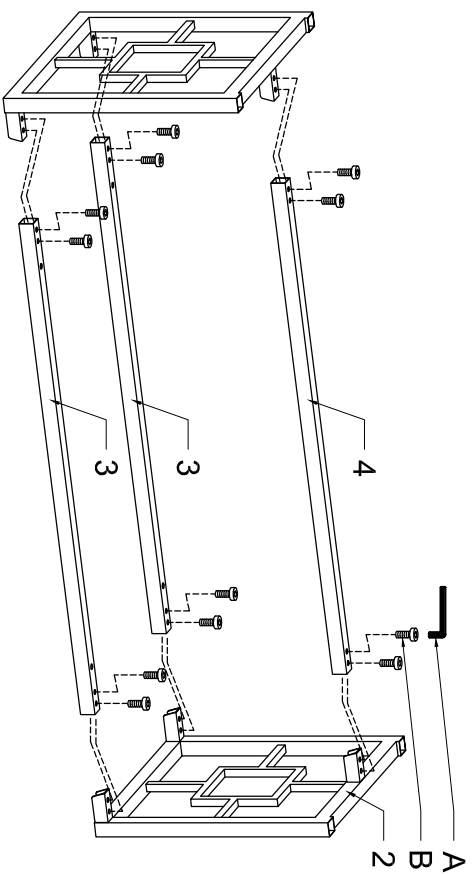
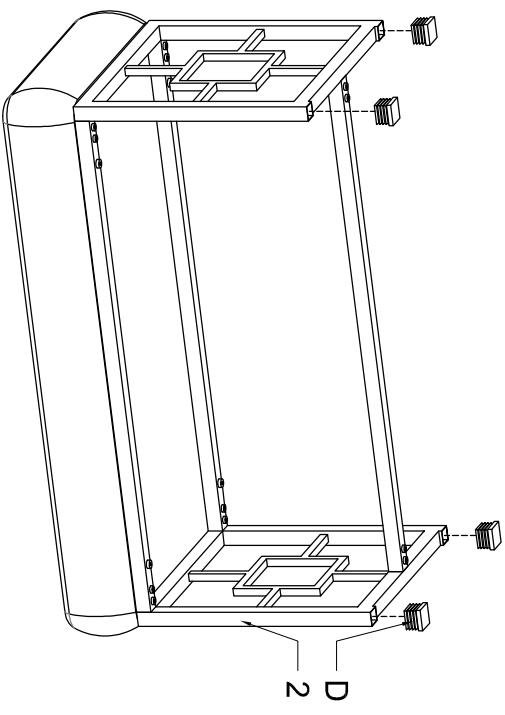


**\*\* Do not tighten any bolts until all of them have been started !**

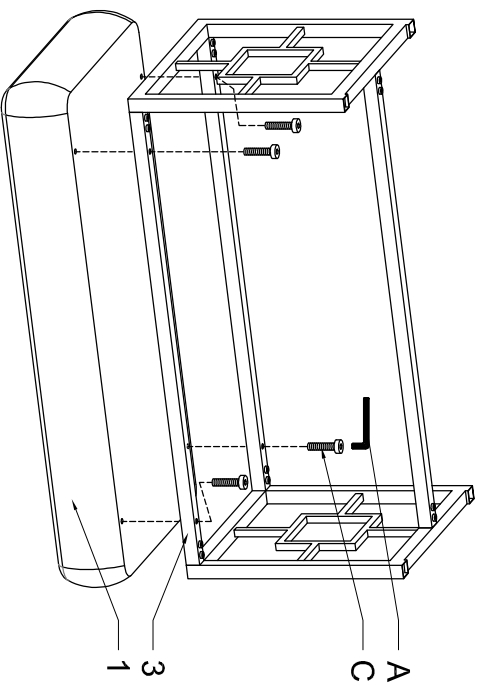
Step 1.



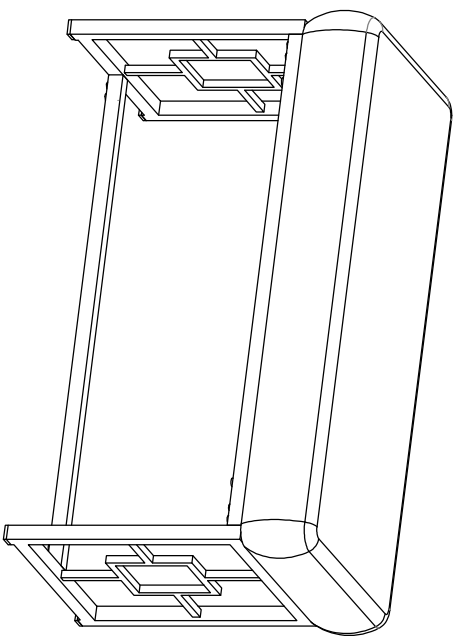
Step 3.



Step 2.


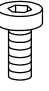
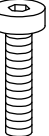

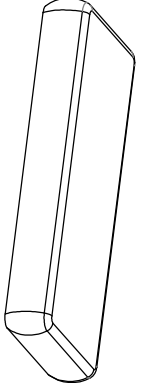
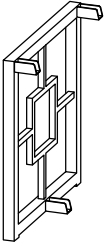




Step 4.



**ACCESSORY PACK**

**COMPLETE HARDWARE**

<p>A</p>  <p>1PC</p>	<p>B</p>  <p>12PCS</p>	<p>C</p>  <p>4PCS</p>	<p>D</p>  <p>4PCS</p>
<p>1</p>  <p>1PC</p>	<p>2</p>  <p>2PCS</p>	<p>3</p>  <p>2PCS</p>	<p>4</p>  <p>1PC</p>