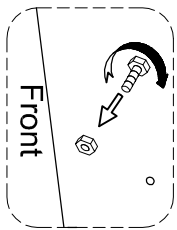
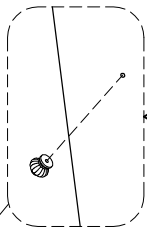


**\*\* Do not tighten any bolts until all of them have been started !**

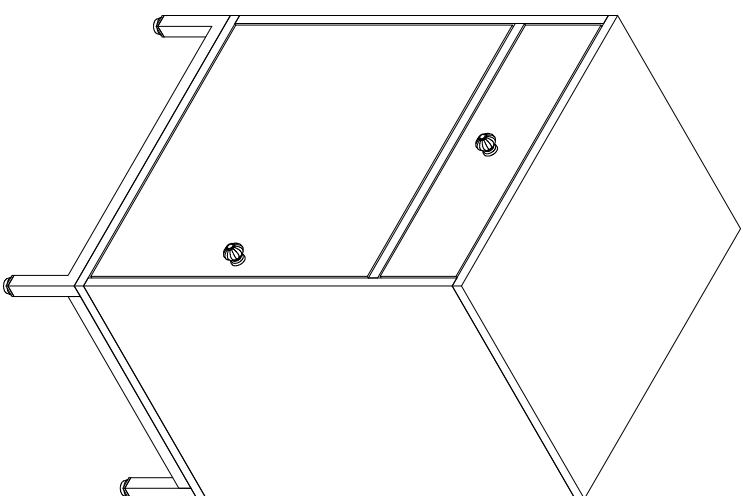
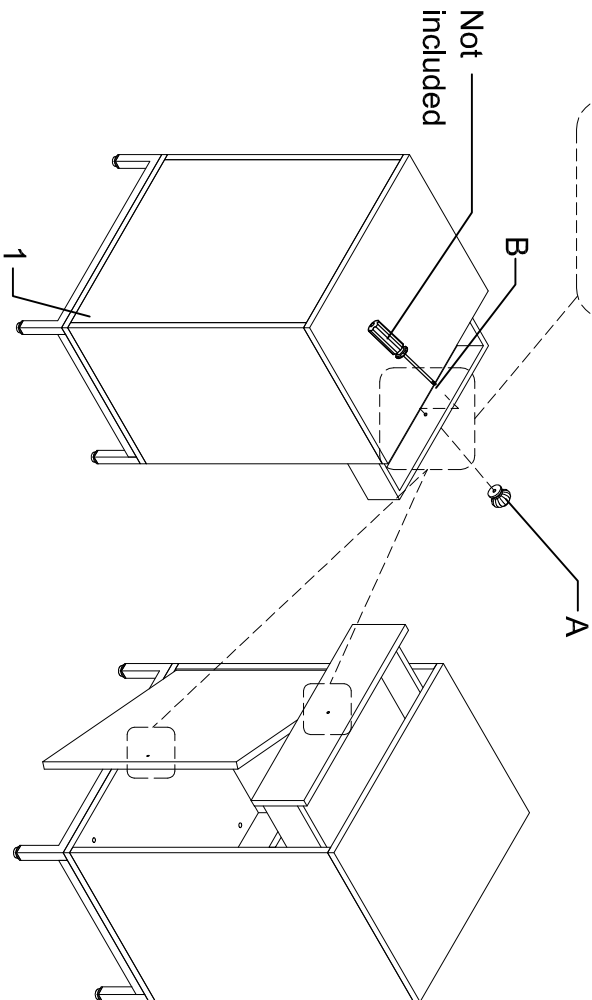
Step 1.



Please pull out drawer using longer screw. This screw is extra, not for assembly purpose.



Attach drawer pull to the drawer front using screw B



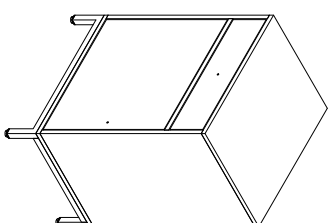
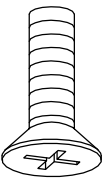
**ACCESSORY PACK**

**COMPLETE HARDWARE**

A

B

1



2PCS

2PCS

1PC