

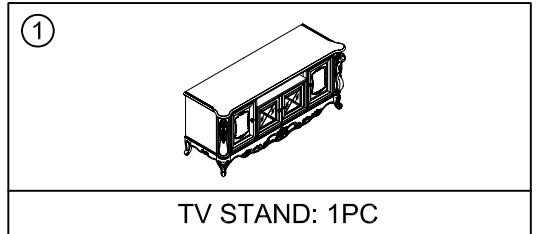
ASSEMBLY INSTRUCTION

ITEM#: ACME#91443

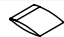
DESCRIPTION: TV STAND

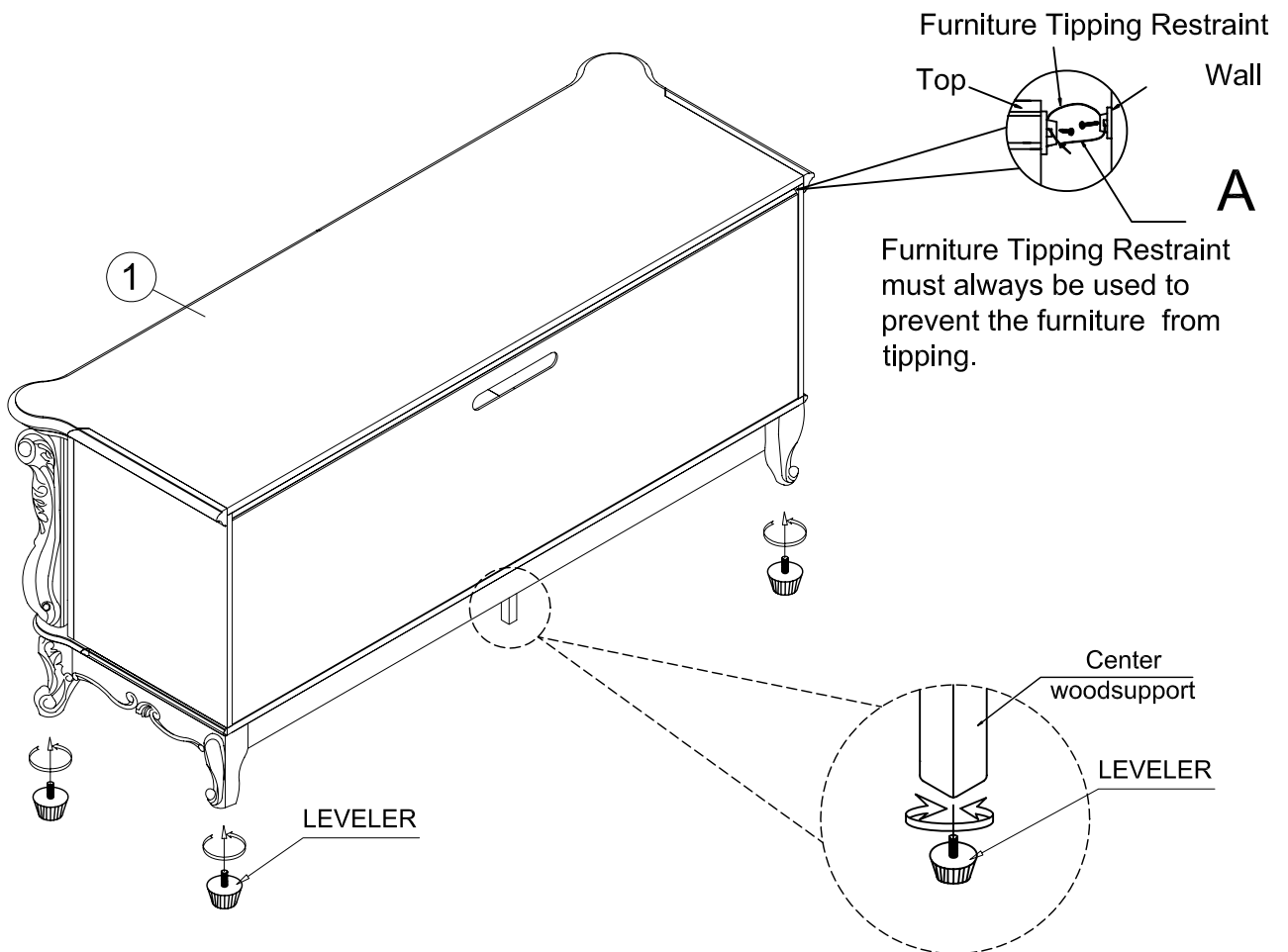
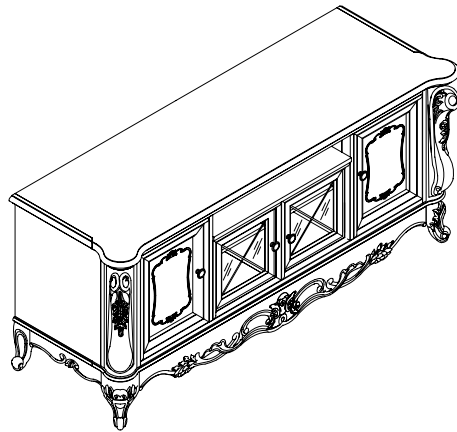
Thank you for purchasing this quality product. Be sure to check all packing material carefully for small parts which may have come loose inside the carton during shipment. Identify and count all parts and compare with the parts List Below:

PARTS LIST:



HARDWARE LIST

| NO. | Drawing | Description | Q'ty |
|-----|---|-----------------------------|-------|
| A |  | Furniture Tipping Restraint | 1 Set |



CLEANING INSTRUCTION

Clean the surface of the TV Stand with furniture polish and a soft cloth.

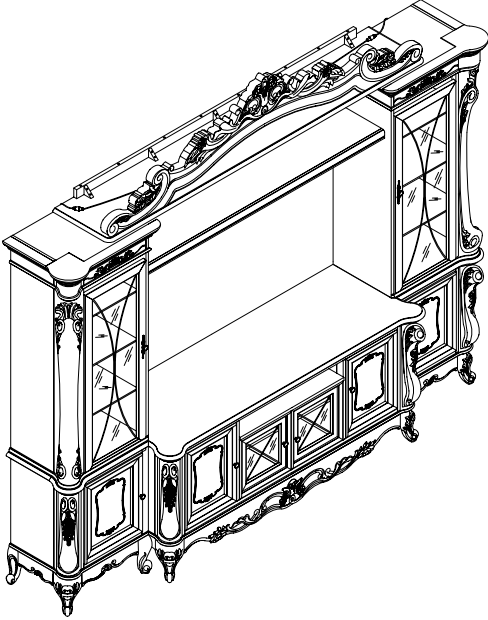
Made in Viet Nam

ASSEMBLY INSTRUCTION

TEM#: ACME#91442BRD/91440LP/91441RP/91443

DESCRIPTION: BRIDGE & SHELF/ LEFT F.PIER/ RIGHT F.PIER/ TV STAND

Thank you for purchasing this quality product. Be sure to check all packing material carefully for small parts which may have come loose inside the carton during shipment. Identify and count all parts and compare with the parts List Below:



| HARDWARE LIST | | | |
|---------------|---------|---------------------------|-------|
| NO. | Drawing | Description | Q'ty |
| A | | Glass shelf support | 24pcs |
| B | | Shelf support | 4pcs |
| C | | Screw (Ø6x5/8") | 8pcs |
| D | | Screw (Ø8x3/4") | 4pcs |
| E | | Bolt (Φ5/16"×2") | 5pcs |
| F | | Flat washer (Ø5/16"x19mm) | 5pcs |
| G | | Spring washer (Ø5/16") | 5pcs |
| H | | Ø5/16" Wrench(12mm) | 1pcs |

PARTS LIST:

| | | | |
|--------------------------|---------------------------|---|--------------------|
| 1 | 2 | 3 RIGHT F.PIER LEFT F.PIER | 4 |
| LEFT F.PIER : 1PC | RIGHT F.PIER : 1PC | GLASS SHELF: 6PCS | SHELF : 1PC |
| 5 | 6 | 7 | |
| BRIDGE CROWN: 1PC | BRIDGE PANEL : 1PC | TV STAND: 1PC | |

CLEANING INSTRUCTION

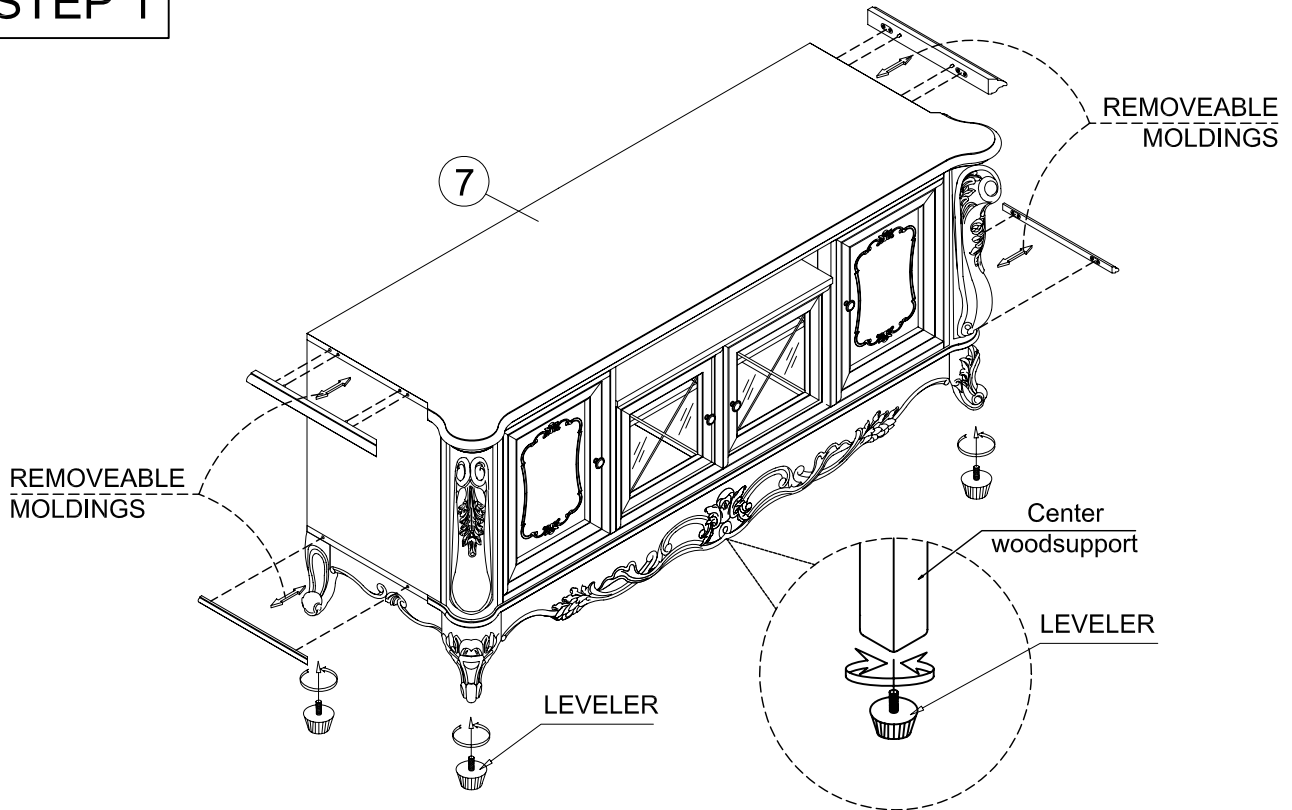
Clean the surface of the Bridge & Shelf/ Left f.pier/ Right f.pier/ TV stand with furniture polish and a soft cloth.

ASSEMBLY INSTRUCTION

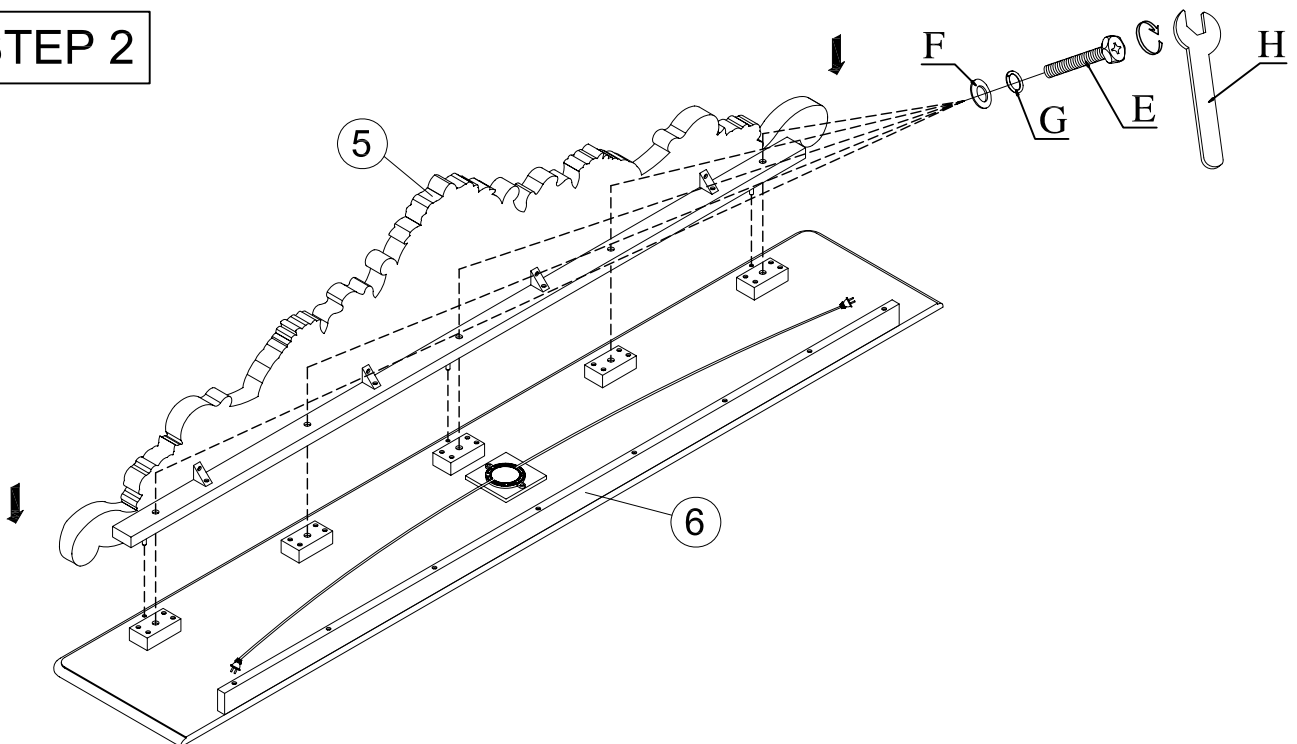
TEM#: ACME#91442BRD/91440LP/91441RP/91443

DESCRIPTION: BRIDGE & SHELF/ LEFT F.PIER/ RIGHT F.PIER/ TV STAND

STEP 1



STEP 2



CLEANING INSTRUCTION

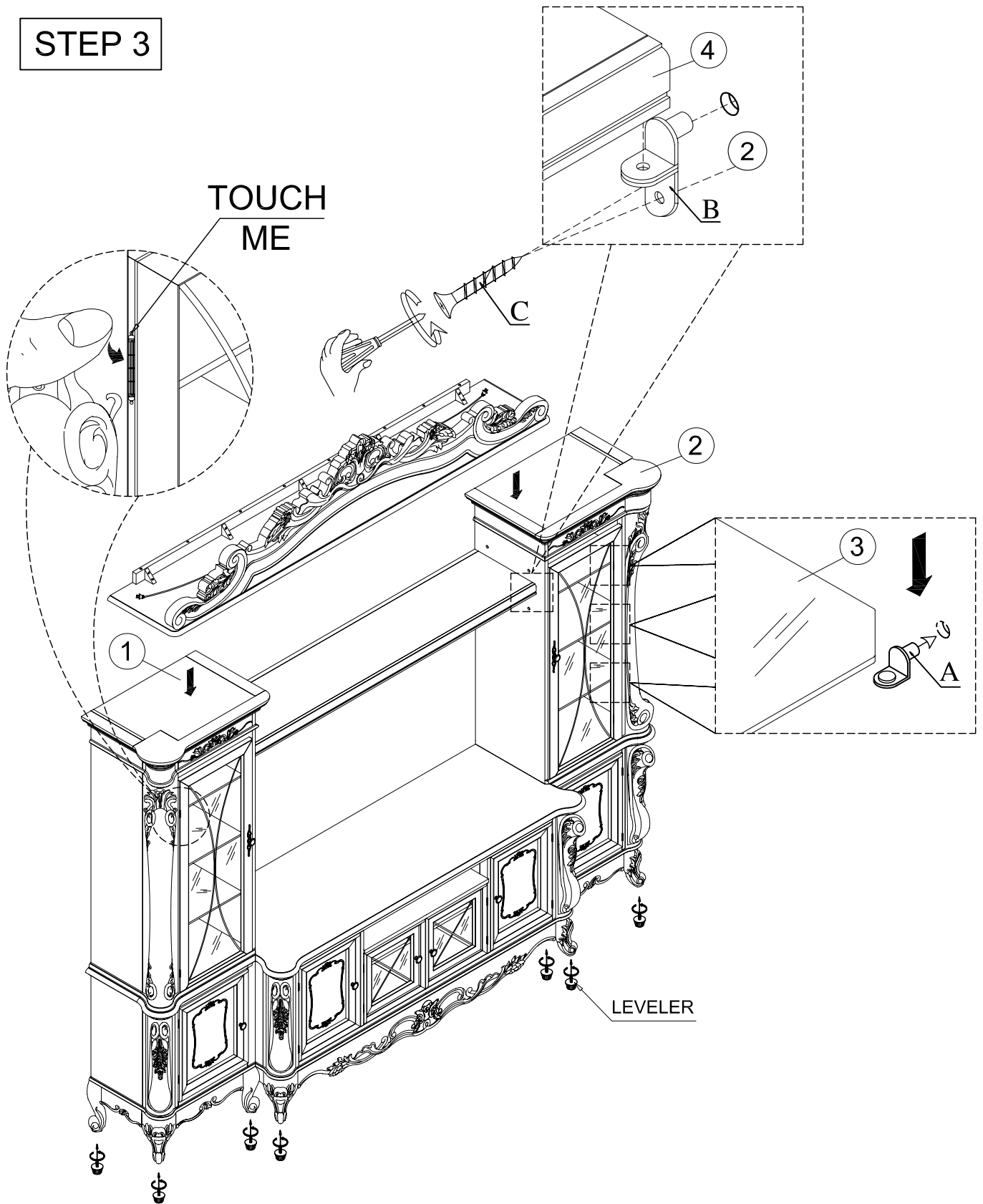
Clean the surface of the Bridge & Shelf/ Left f.pier/ Right f.pier/ TV stand with furniture polish and a soft cloth.

ASSEMBLY INSTRUCTION

TEM#: ACME#91442BRD/91440LP/91441RP/91443

DESCRIPTION: BRIDGE & SHELF/ LEFT F.PIER/ RIGHT F.PIER/ TV STAND

STEP 3



CLEANING INSTRUCTION

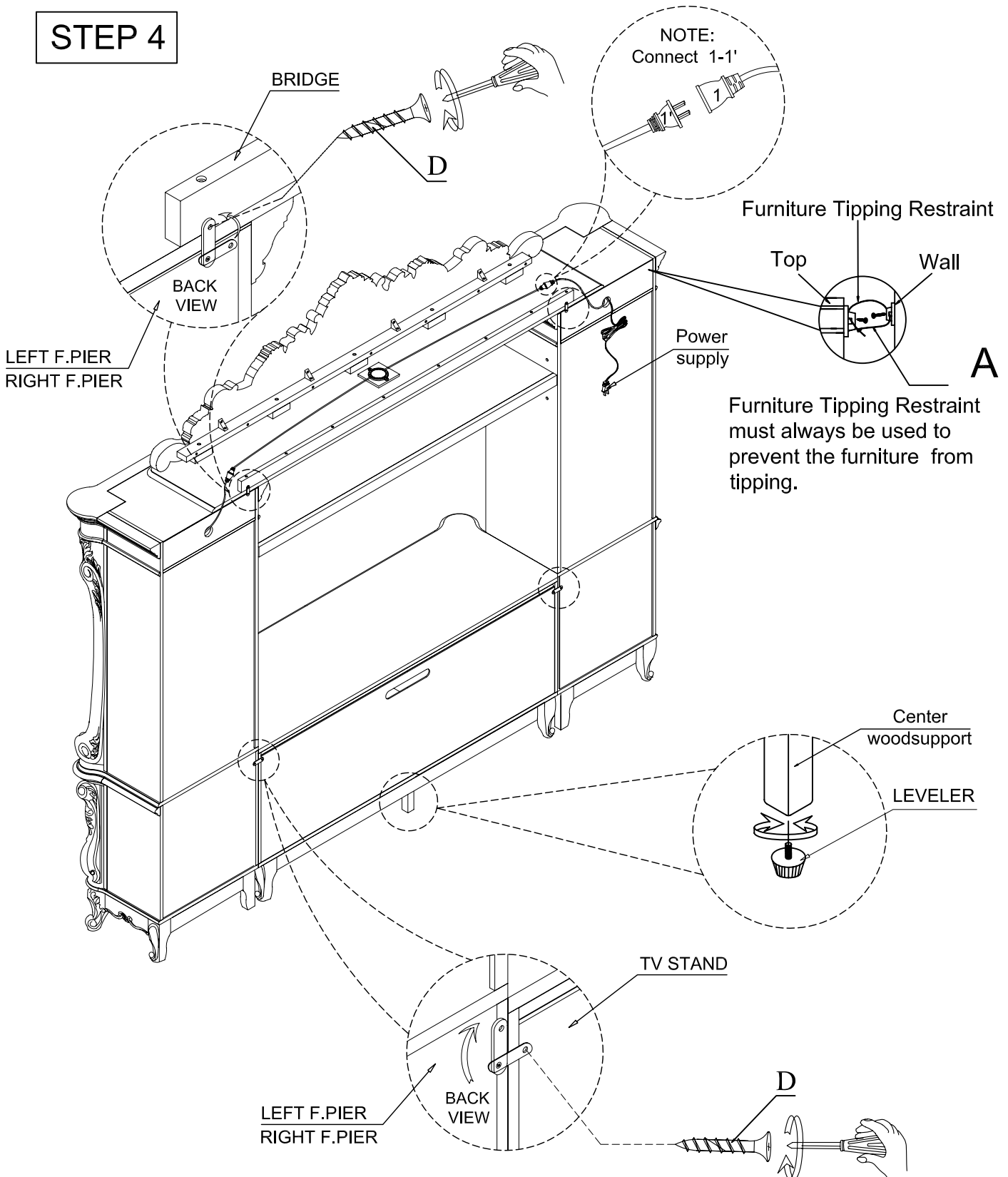
Clean the surface of the Bridge & Shelf/ Left f.pier/ Right f.pier/ TV stand with furniture polish and a soft cloth.

ASSEMBLY INSTRUCTION

TEM#: ACME#91442BRD/91440LP/91441RP/91443

DESCRIPTION: BRIDGE & SHELF/ LEFT F.PIER/ RIGHT F.PIER/ TV STAND

STEP 4



CLEANING INSTRUCTION

Clean the surface of the Bridge & Shelf/ Left f.pier/ Right f.pier/ TV stand with furniture polish and a soft cloth.