

ASSEMBLY INSTRUCTION FOR ACME FURNITURE

MODEL 71560 BAR SET

Thank you for purchasing this quality product. Be sure to check all packing material carefully for small parts which may have come loose inside the carton during shipment. Separate, identify and count all parts and metal hardware. Compare with parts list to be sure all parts are present. If any part(s) are missing or damaged, please contact your local furniture dealer. For efficient and speedy service, please indicate the model number and code letter of part(s) needed.

***** Do not fully tighten screws until fully assembled *****

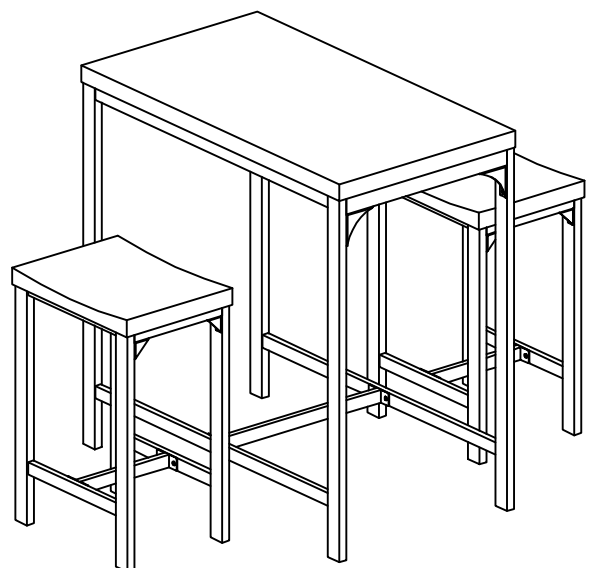
COMPONENT PARTS		
DESCRIPTION	PART NAME	QTY (PCS)
①	TABLE TOP	1
②	SEAT BOARD	2
③	TABLE LEG	2
④	CHAIR LEG	4
⑤	TABLE METAL FRAME1	2
⑥	CHAIR METAL FRAME1	4
⑦	TABLE METAL FRAME2	1
⑧	METAL FRAME2	2

HARDWARES REQUIRED

- A
BOLT 6×48mm - 4PCS
- B
BOLT 6×22mm - 8PCS
- C
BOLT 6×12mm - 28PCS
- D
ALLEN KEY - 1PC

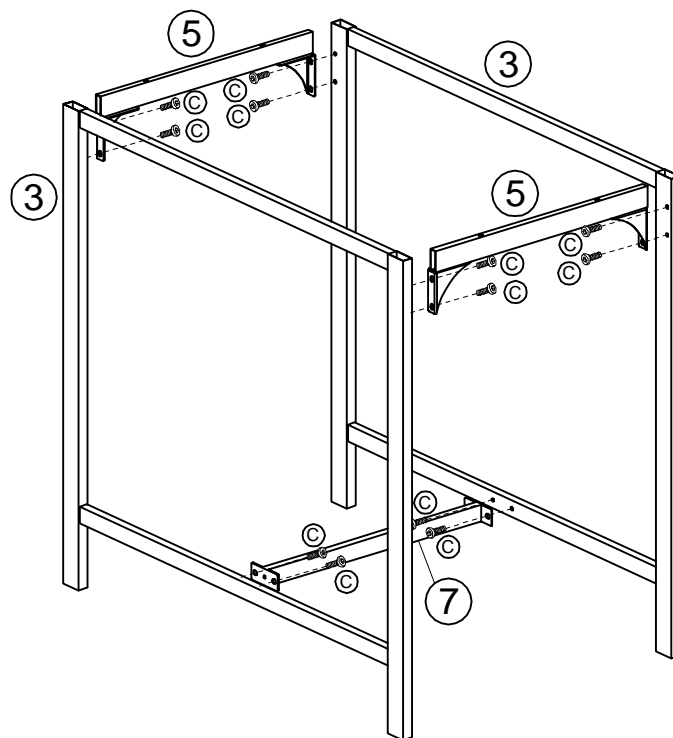
Attention:

*** Carefully check all parts before assembly.

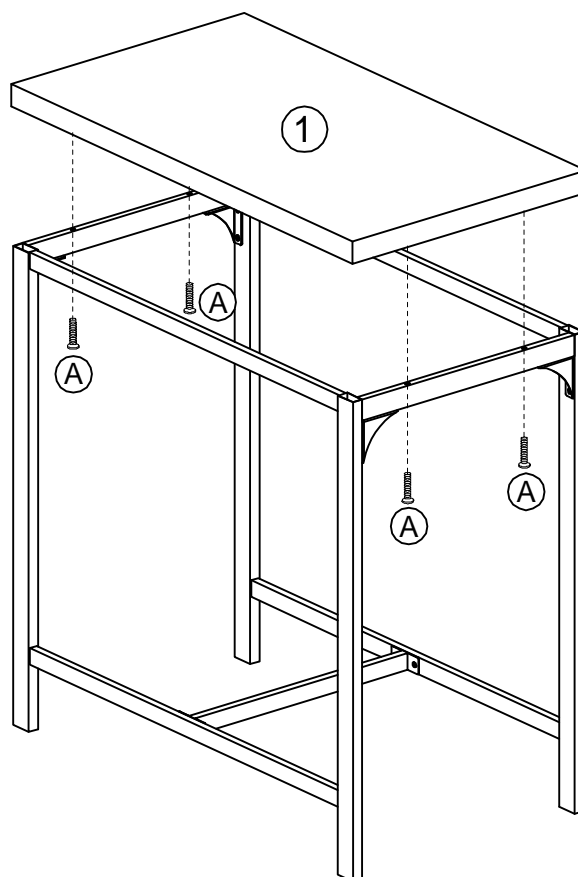


ASSEMBLY INSTRUCTION FOR ACME FURNITURE

MODEL 71560 BAR SET

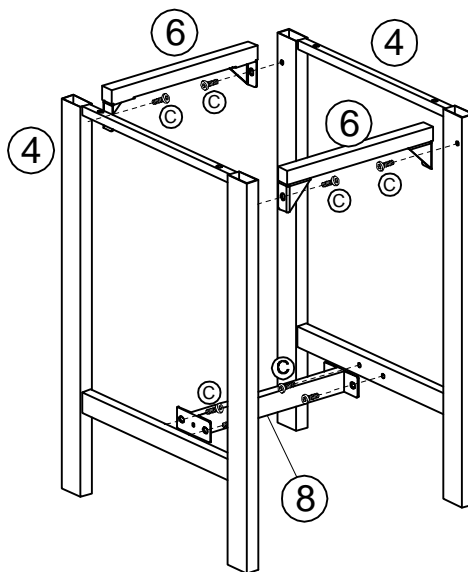


step 1



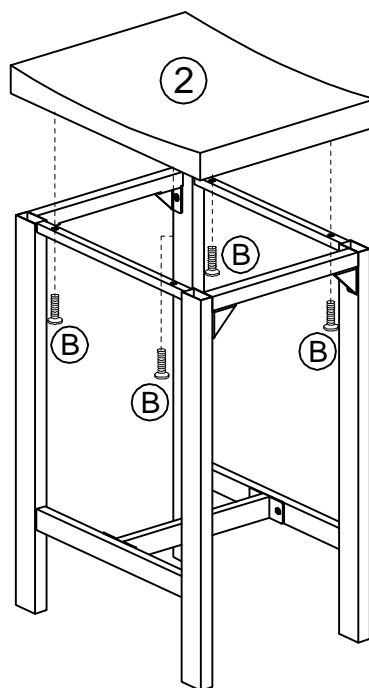
step 2

ASSEMBLY INSTRUCTION FOR ACME FURNITURE
MODEL 71560 BAR SET



x2

step 3



x2

step 4