

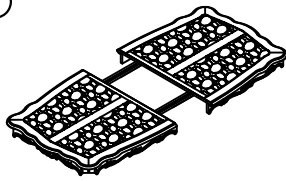
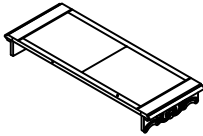

# ASSEMBLY INSTRUCTION

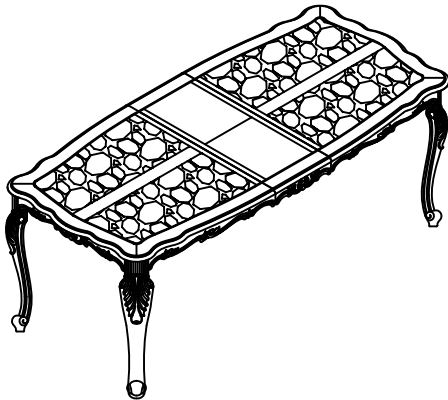
ITEM : ACME#63540

DESCRIPTION: DINNING TABLE W/1 LEAF





Thank you for purchasing this quality product. Be sure to check all packing materials carefully for small parts may have come loose inside the carton during shipment. Identify and count all parts and compare with the parts listed below.

## PARTS LIST:

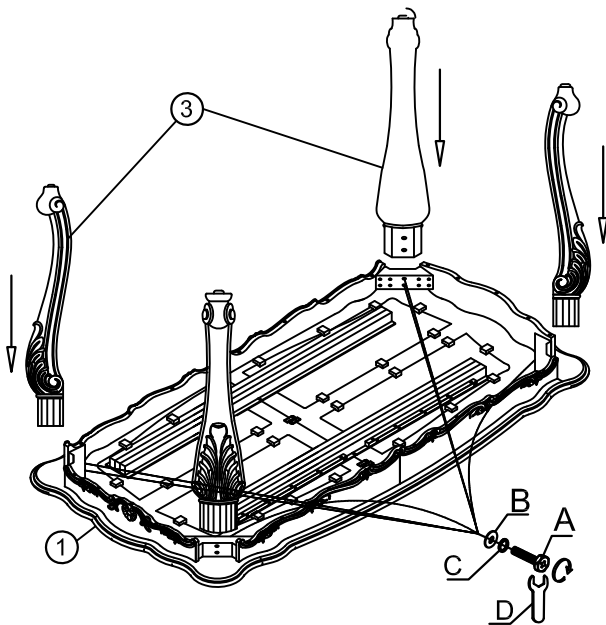
		
TABLE TOP:1PC	LEAF: 1PC	LEGS: 4PCS



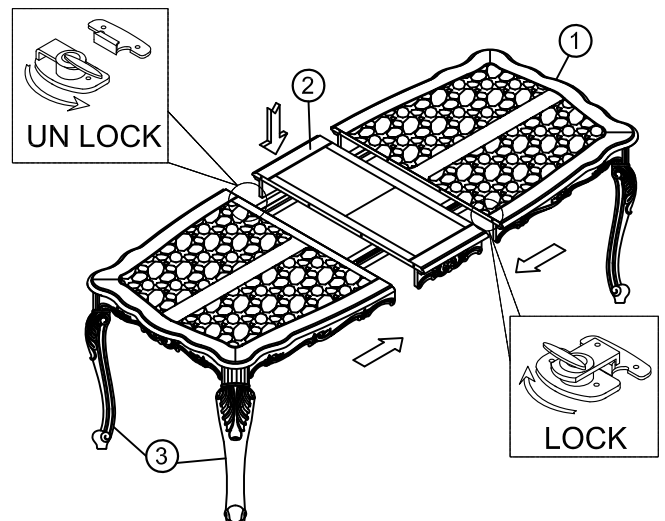
## HARDWARE LIST

NO.	Drawing	Description	Q'ty
A		Bolt (Φ5/16"x3")	8pcs
B		Flat washer (Φ5/16"x19mm)	8pcs
C		Spring washer (Φ5/16")	8pcs
D		Φ5/16" Wrench(12mm)	1pc

## STEP 1:



## STEP 2:



## CLEANING INSTRUCTION

Clean the surface of the Dinning Table w/1 leaf with furniture polish and a soft cloth.

Made in VietNam

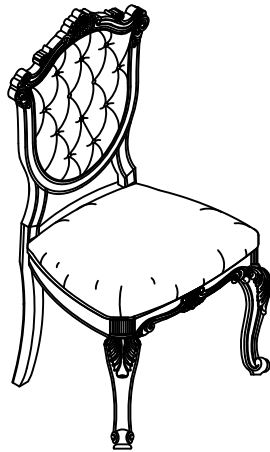
# ASSEMBLY INSTRUCTION

ITEM : ACME#63542

DESCRIPTION: SIDE CHAIR

Thank you for purchasing this quality product. Be sure to check all packing materials carefully for small parts may have come loose inside the carton during shipment. Identify and count all parts and compare with the parts listed below.

## PARTS LIST:

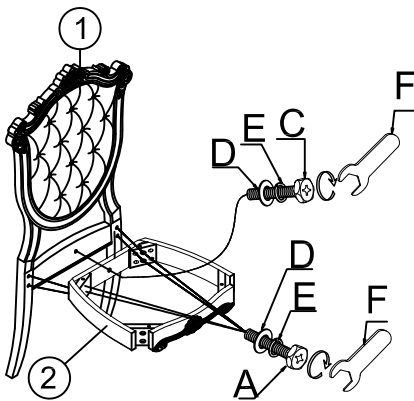


①		②		③		④	
	BACK FRAME:1PC		SEAT FRAME:1PC		FRONT LEGS:2PCS		SEAT CUSHION:1PC

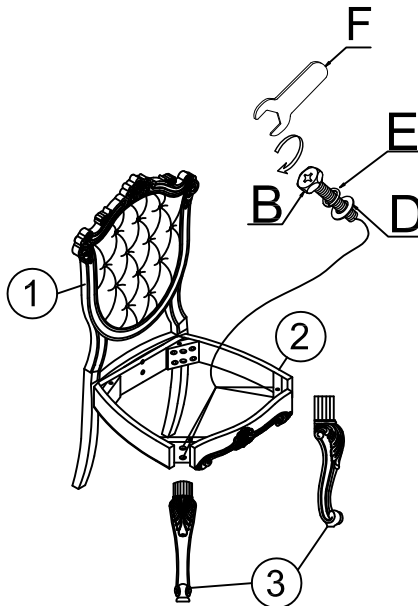
## HARDWARE LIST

NO.	Drawing	Description	Q'ty
A		Bolt (Φ5/16"x3")	4pcs
B		Bolt (Φ5/16"x2-1/4")	4pcs
C		Bolt (Φ5/16"x1-3/4")	1pc
D		Flat washer (Ø5/16"x19mm)	9pcs
E		Spring washer (Ø5/16")	9pcs
F		Ø5/16" Wrench(12mm)	1pc
G		Screw (Φ8x1-1/2")	4pcs

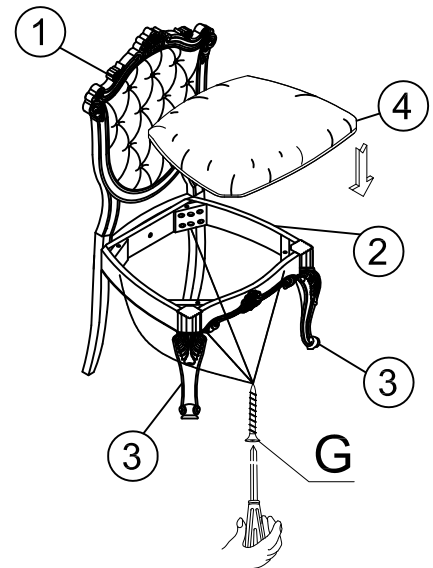
### STEP 1:



### STEP 2:



### STEP 3:



## CLEANING INSTRUCTION

Clean the surface of the Side Chair with furniture polish and a soft cloth.

Made in Vietnam

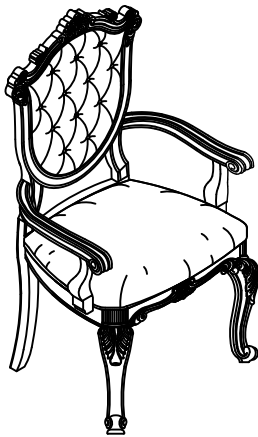
# ASSEMBLY INSTRUCTION

ITEM : ACME#63543

DESCRIPTION: ARM CHAIR

Thank you for purchasing this quality product. Be sure to check all packing materials carefully for small parts may have come loose inside the carton during shipment. Identify and count all parts and compare with the parts listed below.

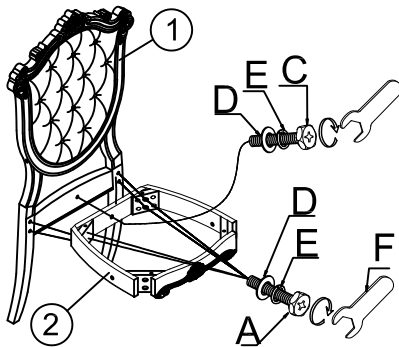
**PARTS LIST:**



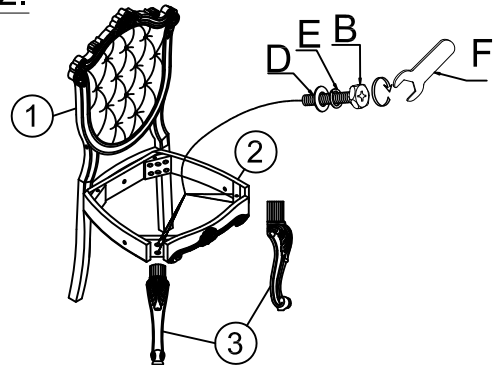
①	②	③	④	⑤	⑥
BACK FRAME:1PC	SEAT CUSHION-FRAME:1PC	FRONT LEGS:2PCS	LEFT ARM:1PC	RIGHT ARM:1PC	SEAT CUSHION:1PC

HARDWARE LIST			
NO.	Drawing	Description	Qty
A		Bolt (Φ5/16"x3")	4pcs
B		Bolt (Φ5/16"x2-1/4")	4pcs
C		Bolt (Φ5/16"x1-3/4")	3pcs
D		Flat washer (Ø5/16"x19mm)	11pcs
E		Spring washer (Ø5/16")	11pcs
F		Ø5/16" Wrench(12mm)	1pc
G		Screw (Φ8x1-1/2")	6pcs

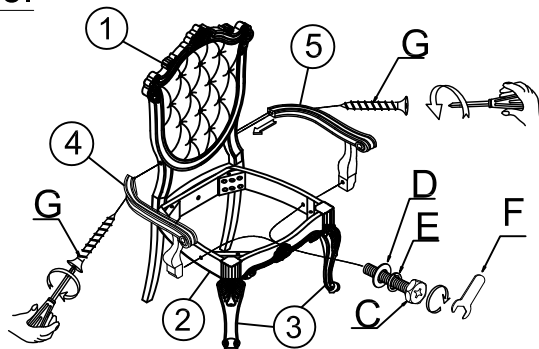
**STEP 1:**



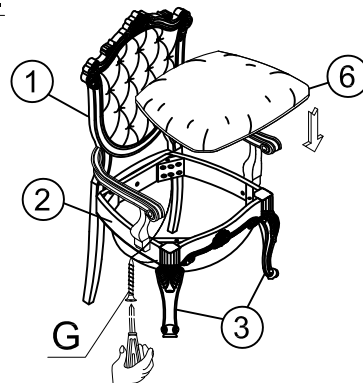
**STEP 2:**



**STEP 3:**



**STEP 4:**



**CLEANING INSTRUCTION**

Clean the surface of the Arm Chair with furniture polish and a soft cloth.

Made in Vietnam

# ASSEMBLY INSTRUCTION



ITEM : ACME#63544H/63545B

DESCRIPTION: HUTCH/BUFFET

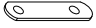
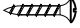
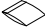
Thank you for purchasing this quality product. Be sure to check all packing materials carefully for small parts may have come loose inside the cartan during shipment. Identify and count all parts and compare with the parts listed below.

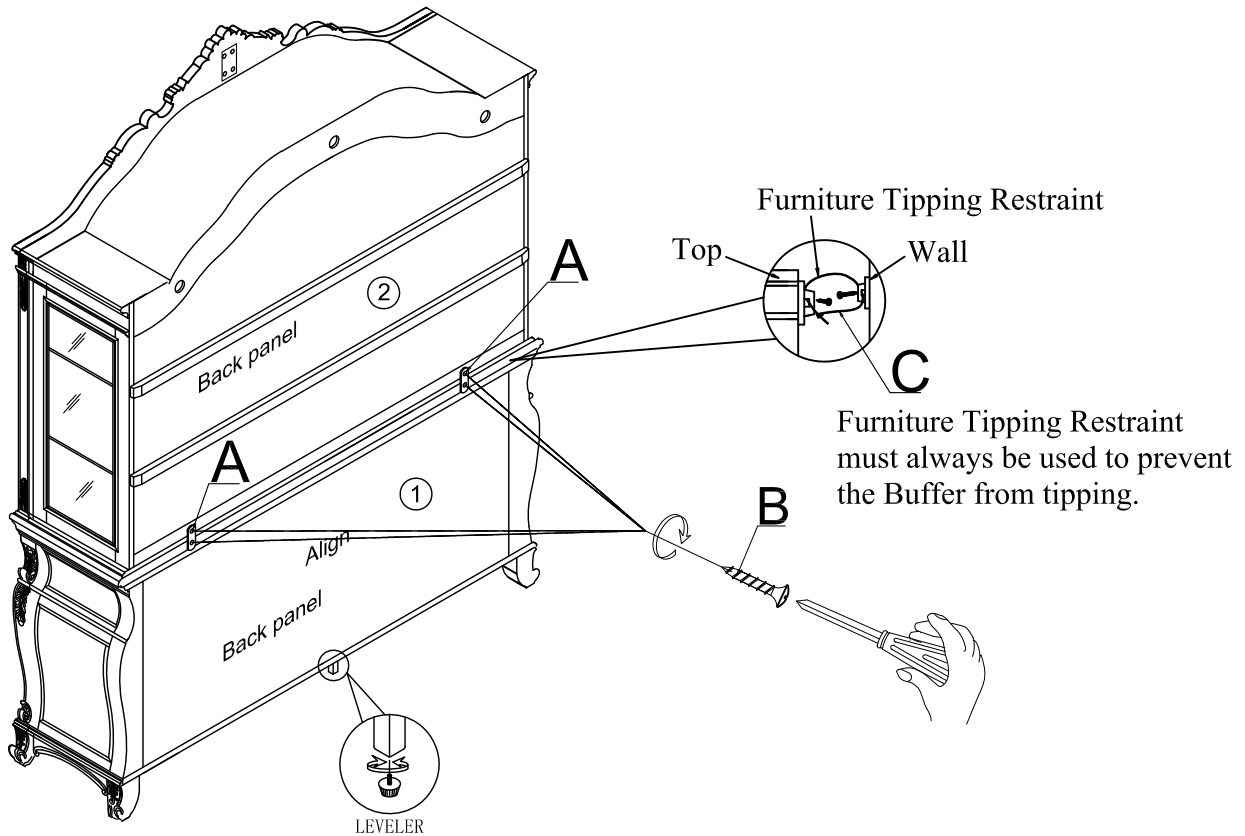


## PARTS LIST:

①		②	
BUFFET:1PC		HUTCH:1PC	

## HARDWARE LIST

NO.	Drawing	Description	Q'ty
A		Metal Connector	2pcs
B		Screw ( $\Phi 12 \times 3/4$ " )	4pcs
C		Furniture Tipping Restraint	1Set



## CLEANING INSTRUCTION

Clean the surface of the Hutch/Bufferet with furniture polish and a soft cloth.

Made in VietNam