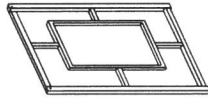


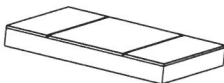

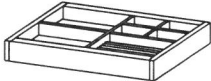



ASSEMBLY INSTRUCTION FOR ACME FURNITURE

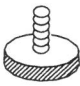

MODEL#90315/90317

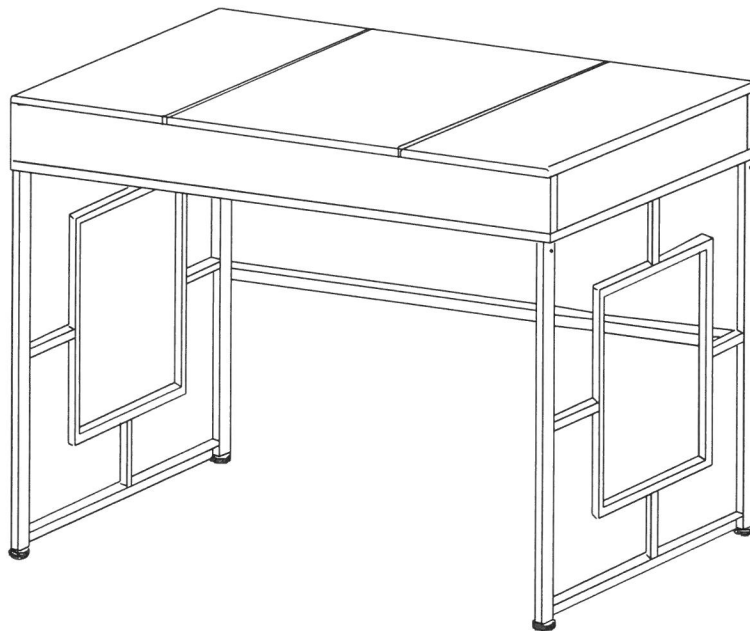
Thank you for purchasing this quality product. Be sure to check all packing material carefully for small parts which may have come loose inside the carton during shipment. Separate, identify and count all parts and metal hardware. Compare with parts list to be sure all parts are present. If any part(s) are missing or damaged, please contact your local furniture

*****Do not fully tighten screws until fully assembled*****

| COMPONENT PARTS | | | |
|-----------------|------------------|--|------------|
| DESCRIPTION | PART NAME | | Q'TY (PCS) |
| ① | METAL SIDE PANEL |  | 2 |
| ② | TOP SUPPORT |  | 2 |
| ③ | STRETCHER |  | 1 |
| ④ | TABLE TOP |  | 1 |
| ⑤ | GLASS |  | 1 |
| ⑥ | JEWELRY BOX |  | 1 |
| ⑦ | USB |  | 1 |

HARDWARE REQUIRED

| | | | | |
|-----|---|------------|-------------|-------|
| (A) |  | LEVELER | 1/4" x 15mm | 4 PCS |
| (B) |  | BOLT | 1/4" x 44mm | 4 PCS |
| (C) |  | BOLT | 1/4" x 12mm | 8 PCS |
| (D) |  | SCREW | 15mm | 2 PCS |
| (E) |  | BOLT COVER | 11mm | 4 PCS |
| (F) |  | ALLEN KEY | 1/4" | 1 PC |

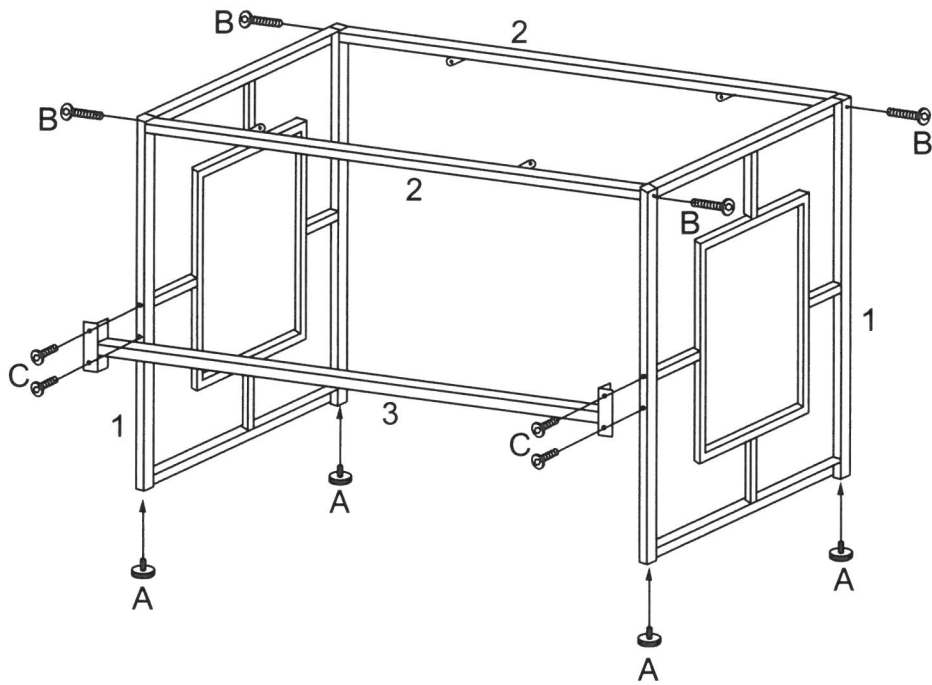


Attention

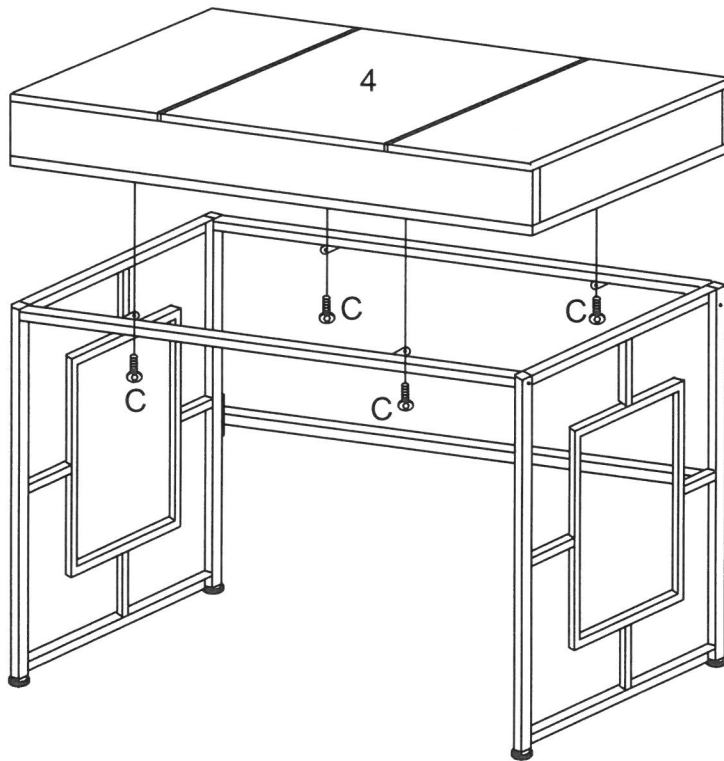
***Some number parts listed on the instruction sheet may not be in parts bag as they may be assembled.
Carefully check parts and packing materials prior to ordering replacements.

How to assemble:

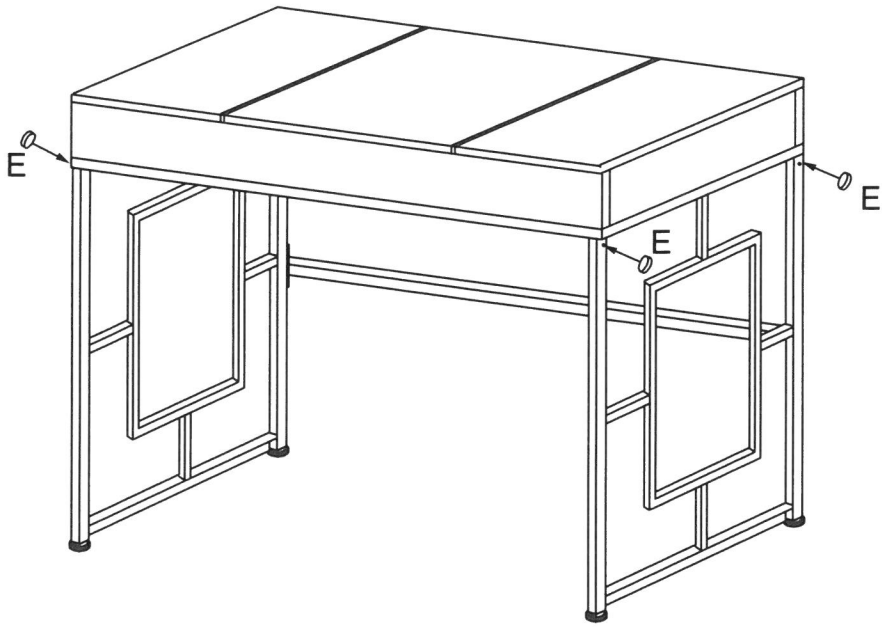
STEP 1



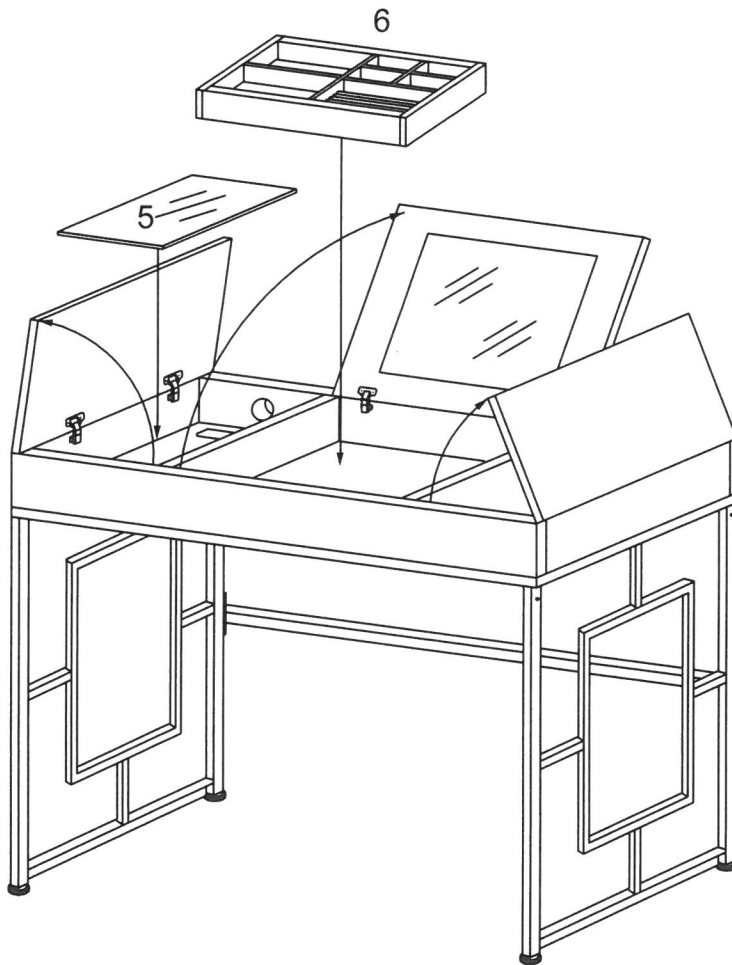
STEP 2



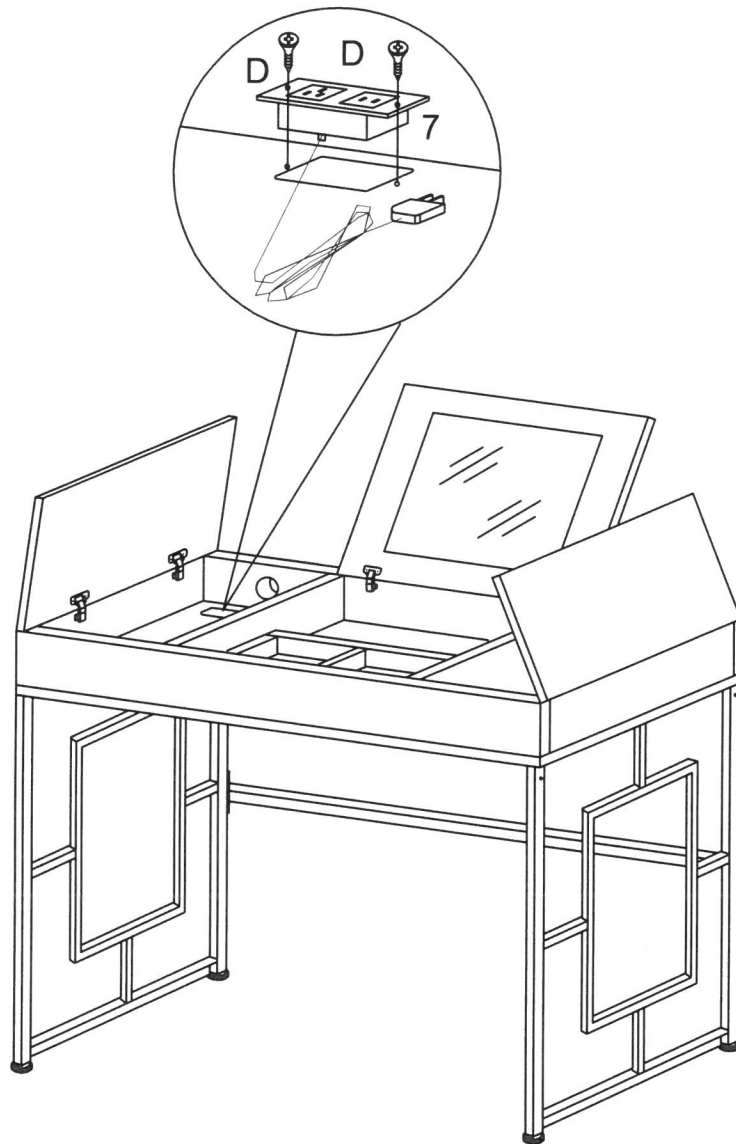
STEP 3



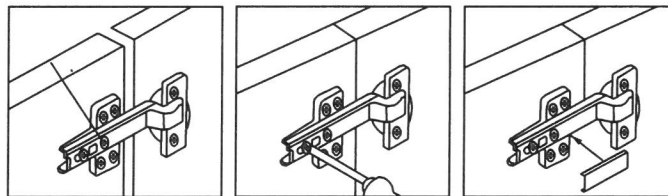
STEP 4



STEP 5



ADJUSTING UNEVEN TABLE TOP



SET SCREW

TIGHTEN SCREW