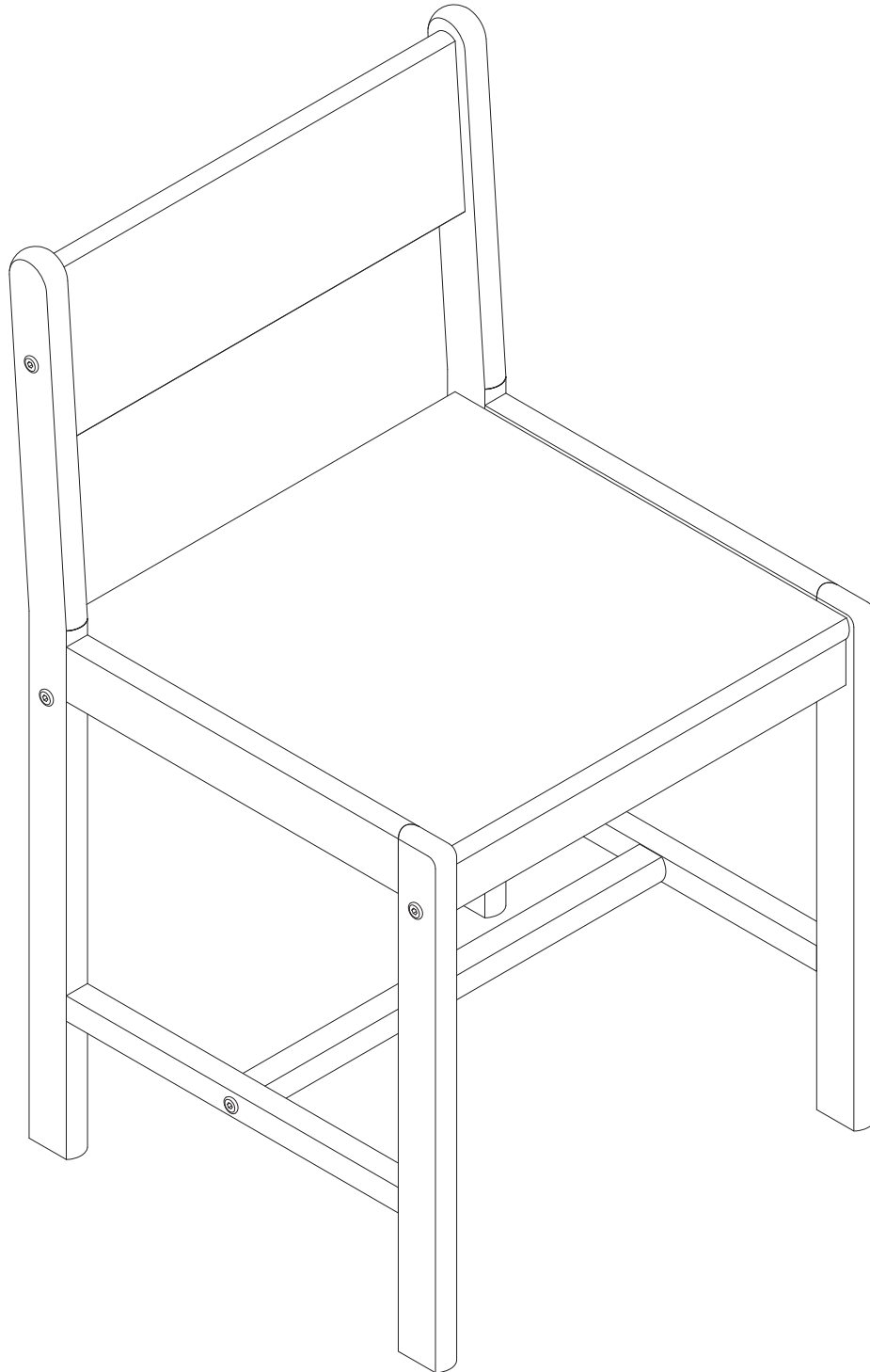
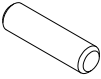
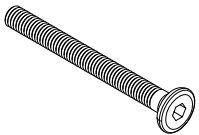


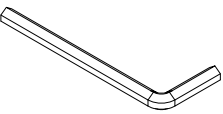


# ASSEMBLY INSTRUCTION

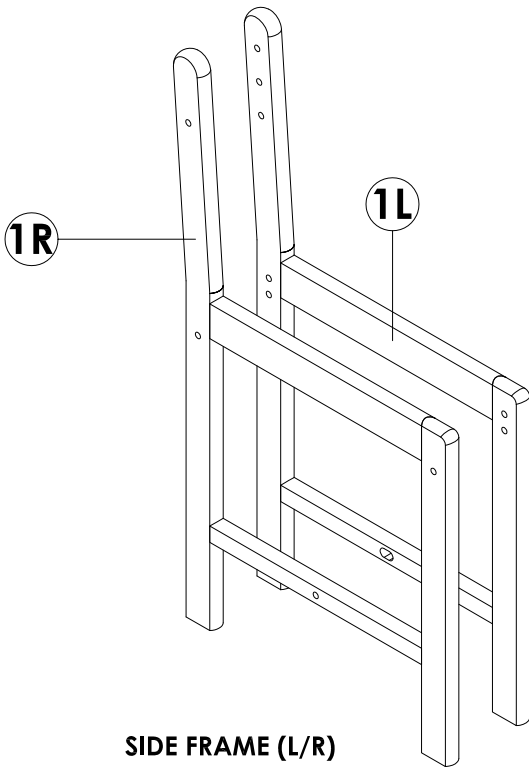
MODEL : 19412 / 38064 STUDY CHAIR



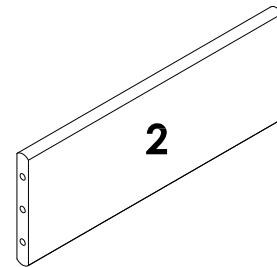
## HARDWARE LIST

<p><b>A</b> <span style="float: right;"><b>8 PCS</b></span></p>  <p>PLASTIC DOWEL (M8 x 30MM)</p>	<p><b>B</b> <span style="float: right;"><b>8 PCS</b></span></p>  <p>JCBC BOLT (M6 x 60MM)</p>	<p><b>C</b> <span style="float: right;"><b>8 PCS</b></span></p>  <p>JRN NUT (M6 x 13MM)</p>
<p><b>D</b> <span style="float: right;"><b>4 PCS</b></span></p>  <p>CSK C/B SCREW (M4 x 32MM)</p>	<p><b>E</b> <span style="float: right;"><b>1 PC</b></span></p>  <p>ALLEN KEY (M4 x 60MM)</p>	<p><b>Tool Required :</b> <b>Crosshead Screw Driver</b></p>

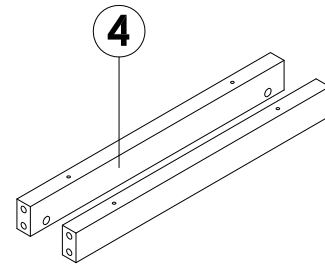
## PART LIST



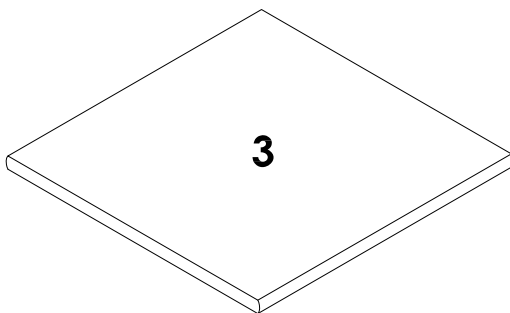
**SIDE FRAME (L/R)**  
( 2 PCS / SET )  
CARTON 1 OF 1



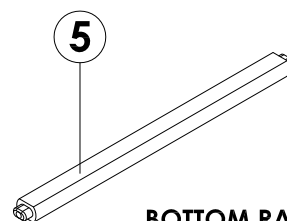
**BACK REST**  
( 1 PC / SET )  
CARTON 1 OF 1



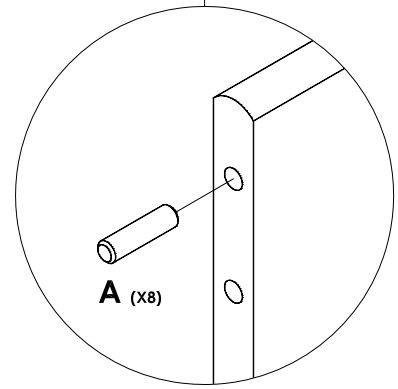
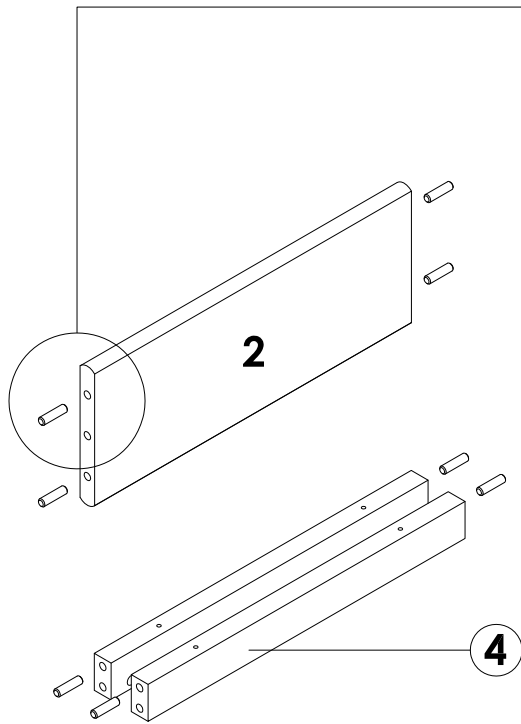
**TOP RAIL**  
( 2 PCS / SET )  
CARTON 1 OF 1



**SEATER**  
( 1 PC / SET )  
CARTON 1 OF 1

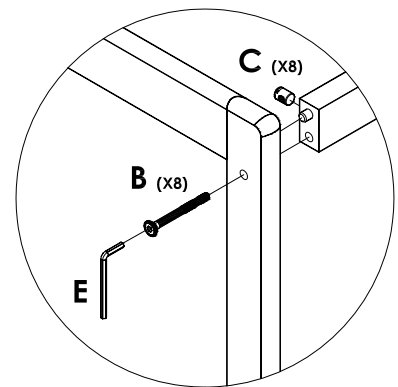
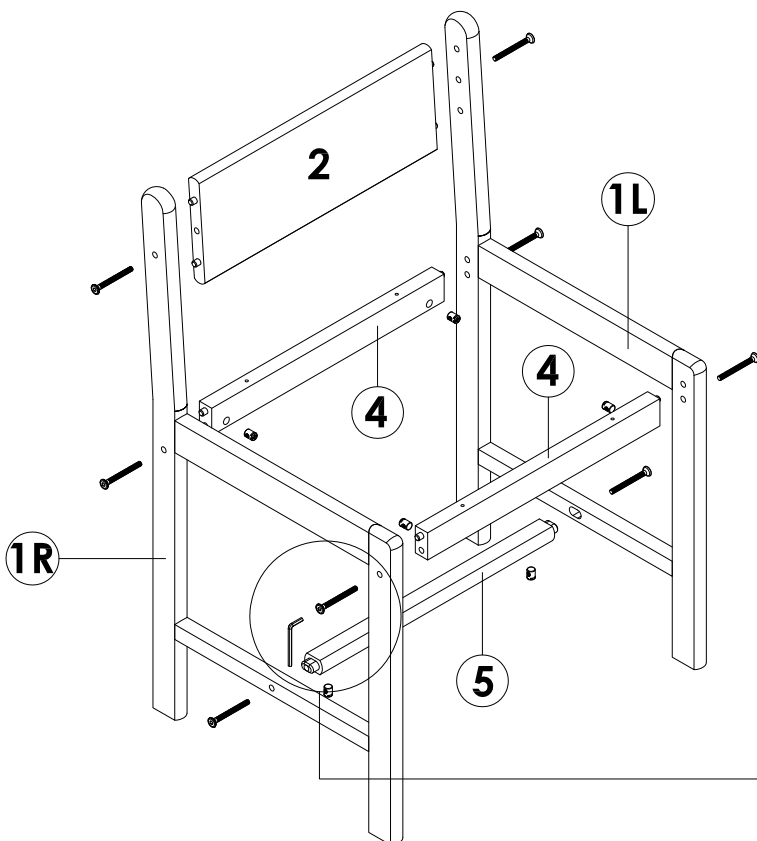


**BOTTOM RAIL**  
( 1 PC / SET )  
CARTON 1 OF 1



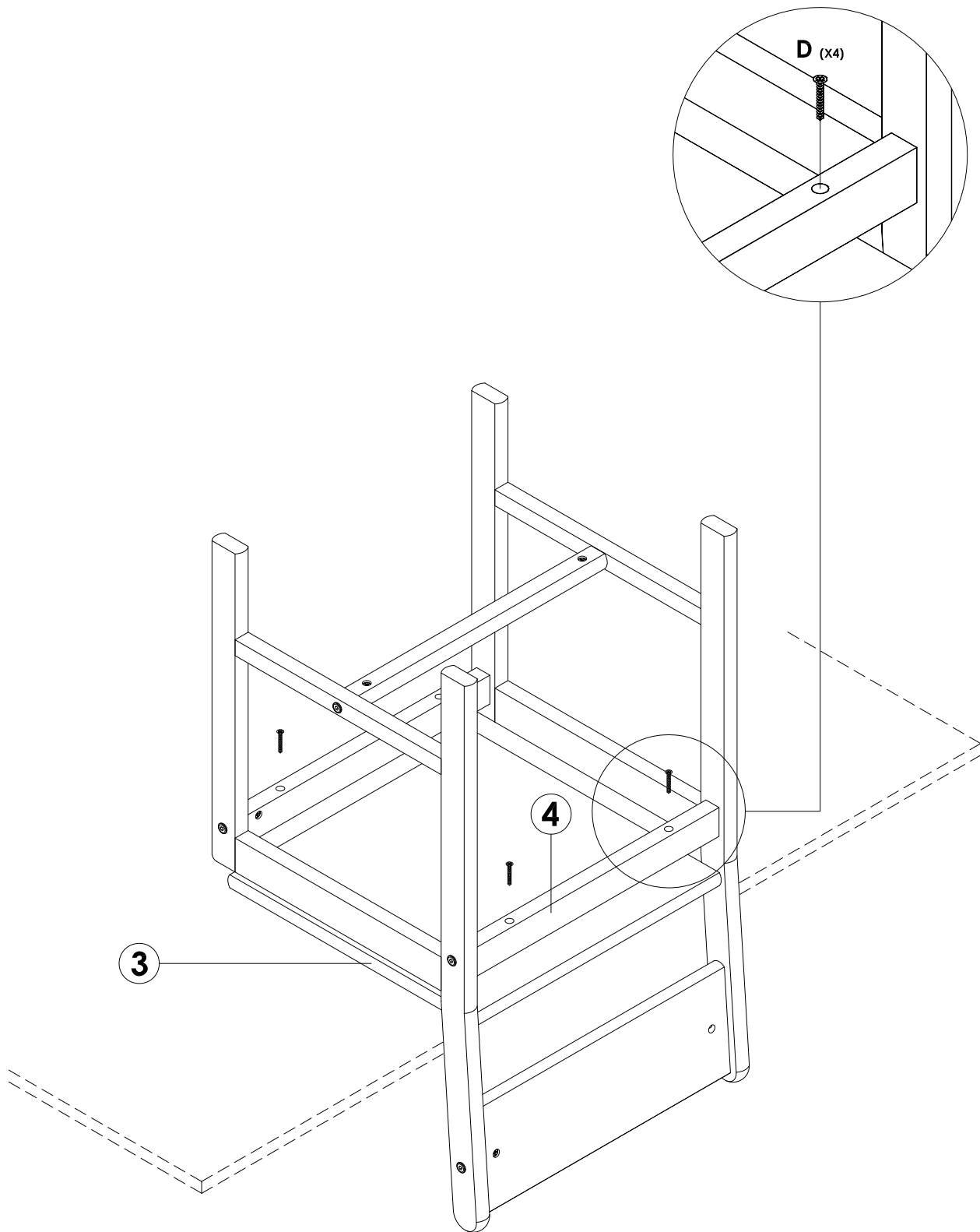
**STEP 1**

Attach (A) into **Back Rest** and **Top Rail**.



**STEP 2**

Attach **Back Rest** and **Rail** to **Side Frame (L/R)** by using (B) and (C), tighten it up by using (E).



### **STEP 3**

Attach **Seater** onto the **Top Rail** by using **(D)**, tighten it up by using a Crosshead Screw Driver. Go on to complete the entire assembly.

**\* Place assembly onto an elevated surface while working on this step.**