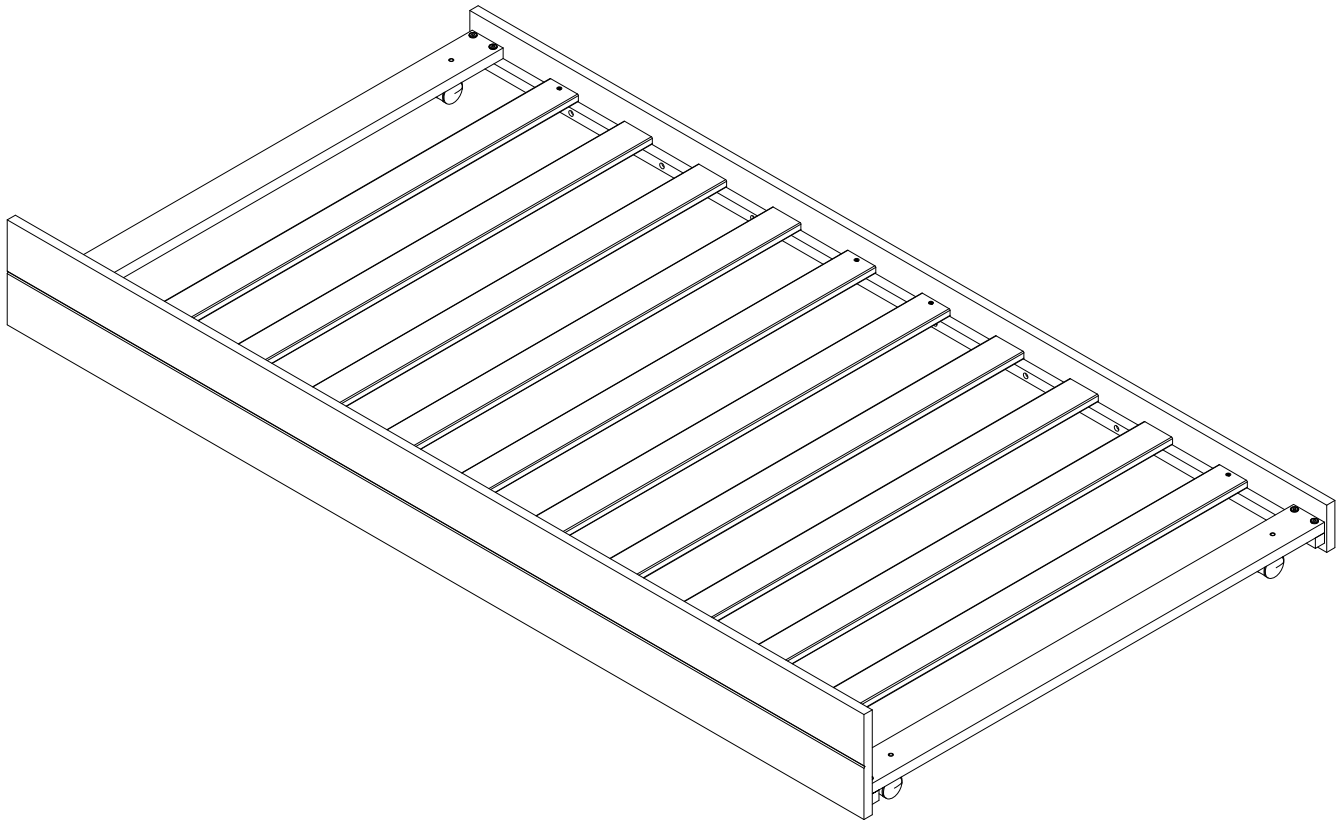


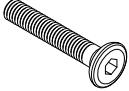

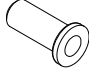
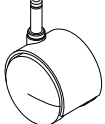
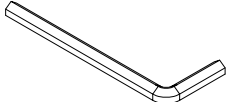
ASSEMBLY INSTRUCTION

MODEL : 30623 TRUNDLE BED (1000 x 1885)MM

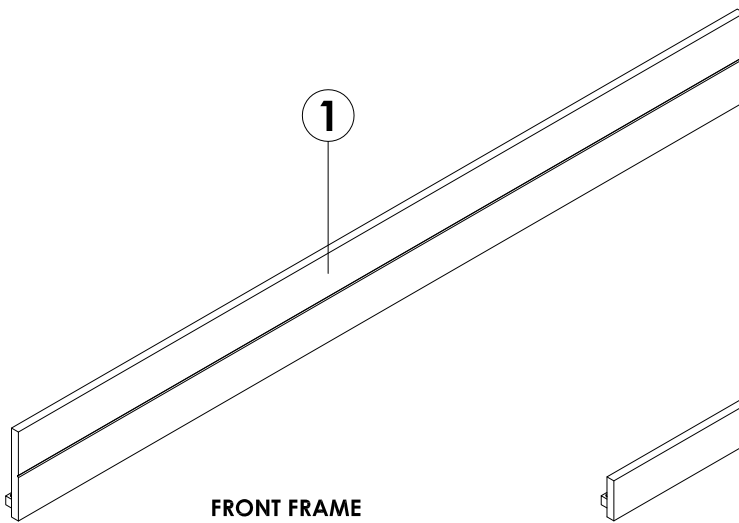
ACME FURNITURE



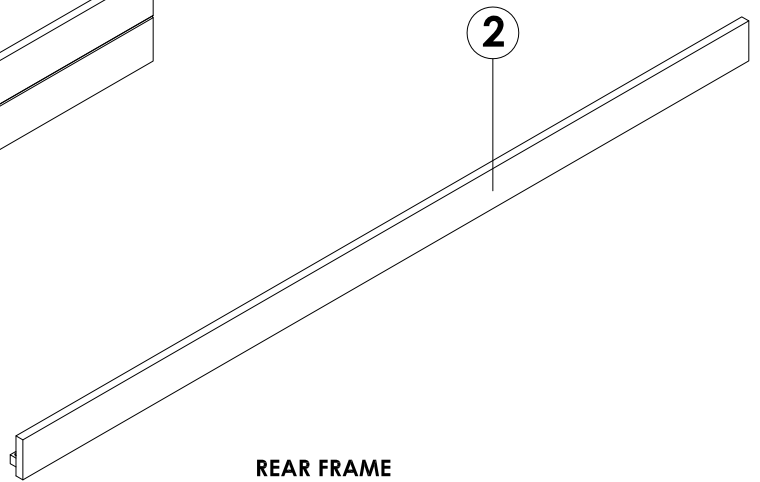
HARDWARE LIST

A  JCBC BOLT (M6 x 35MM) 8 PCS	B  CSK C/B SCREW (M4 x 32MM) 8 PCS	C  SOCKET 4 PCS
D  CASTOR 40SA-C 4 PCS	E  ALLEN KEY (M4 x 60MM) 1 PC	Tool Required : Crosshead Screw Driver

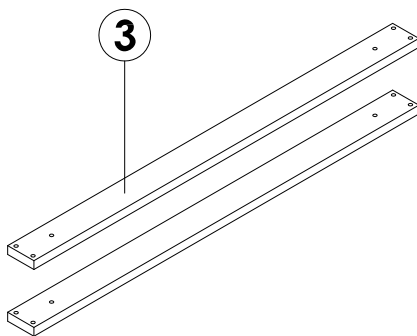
PART LIST



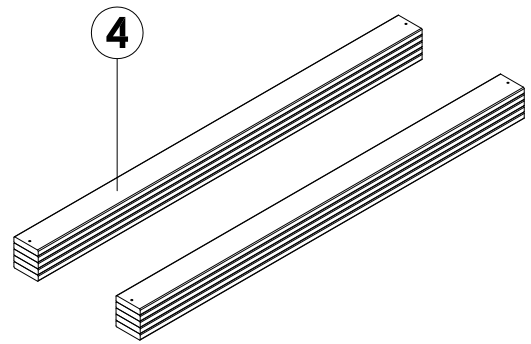
FRONT FRAME
(1 PC / SET)
CARTON 1 OF 1



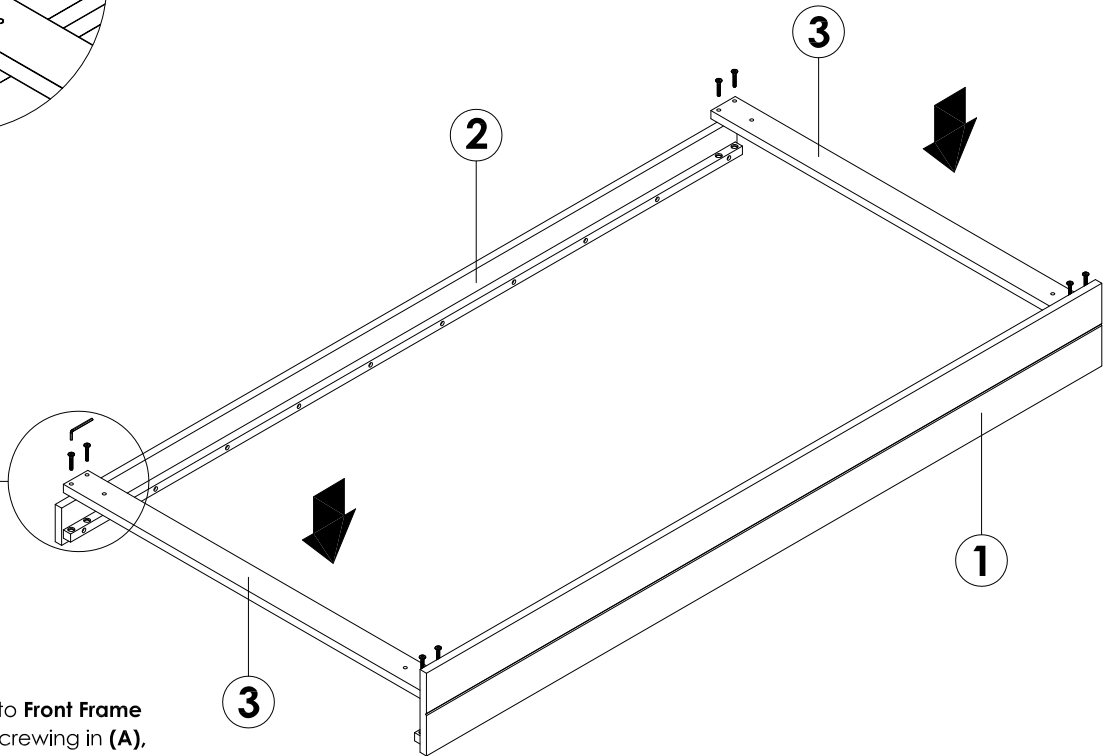
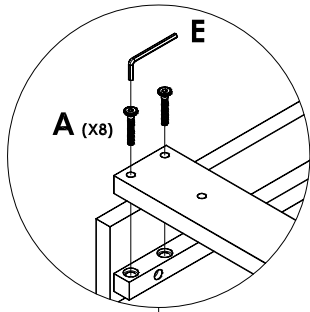
REAR FRAME
(1 PC / SET)
CARTON 1 OF 1



SUPPORTER
(2 PCS / SET)
CARTON 1 OF 1

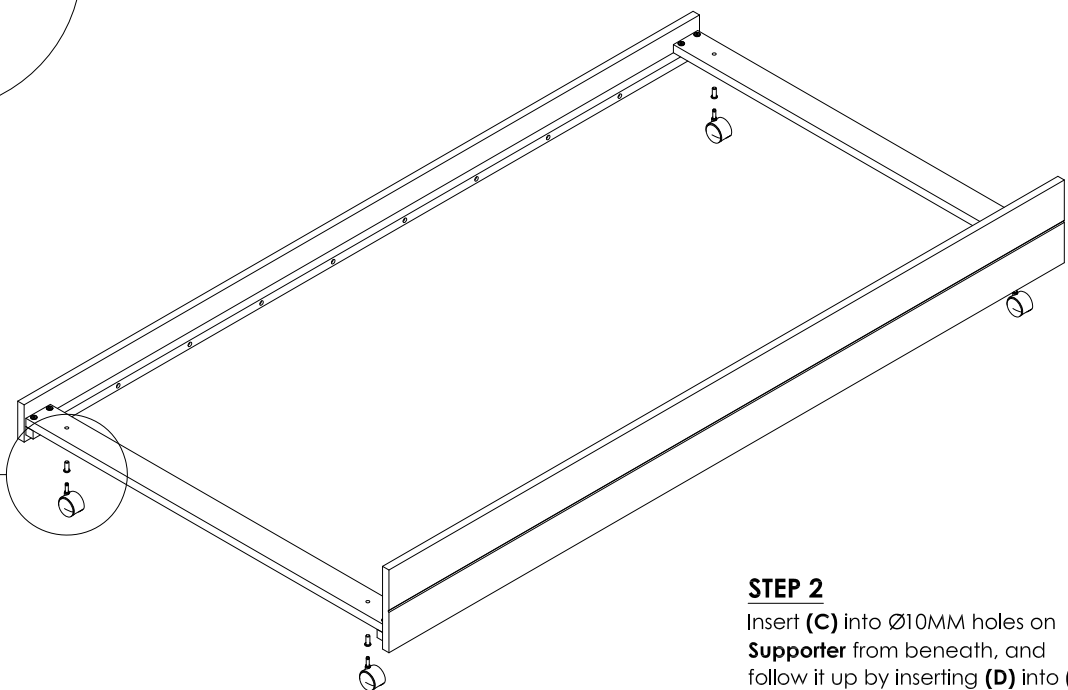
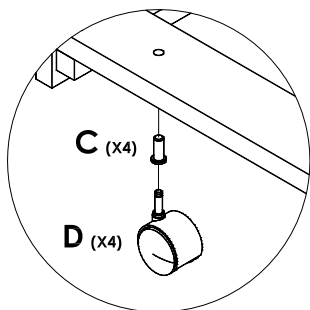


WOODEN SLAT
(5 + 5 PCS / SET)
CARTON 1 OF 1



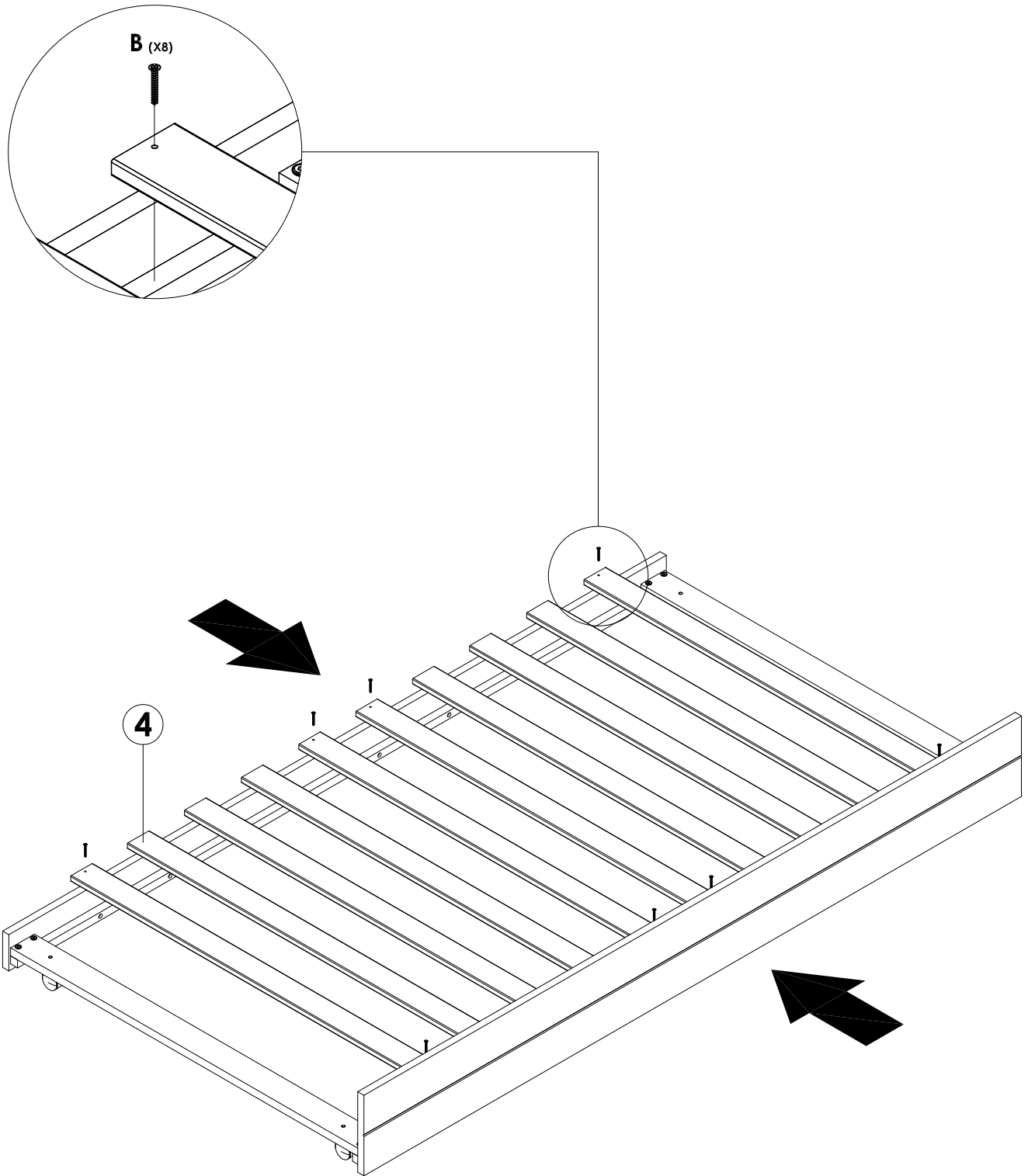
STEP 1

Attach **Supporter** onto **Front Frame** and **Rear Frame** by screwing in **(A)**, tighten it up by using **(E)**.



STEP 2

Insert **(C)** into $\varnothing 10\text{MM}$ holes on **Supporter** from beneath, and follow it up by inserting **(D)** into **(C)**.



STEP 3

Attach and secure **Wooden Slat** onto slat supports by screwing in **(B)**, tighten it up by using Crosshead Screw Driver. Go on to complete the entire assembly.

* Align both **Front Frame** and **Rear Frame** before tightening the screws.