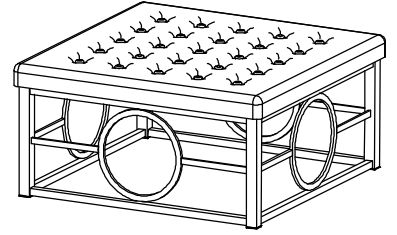
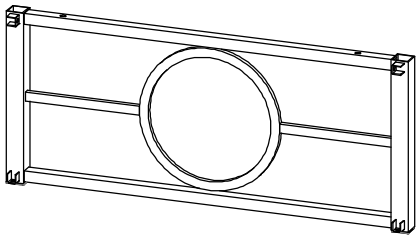
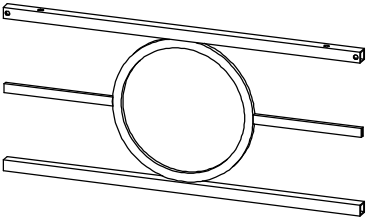
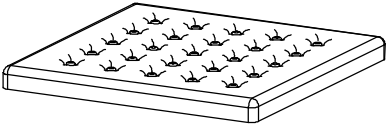
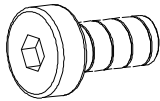
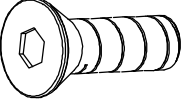
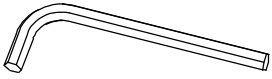


ITEM NO. 82050 OTTOMAN COFFEE TABLE

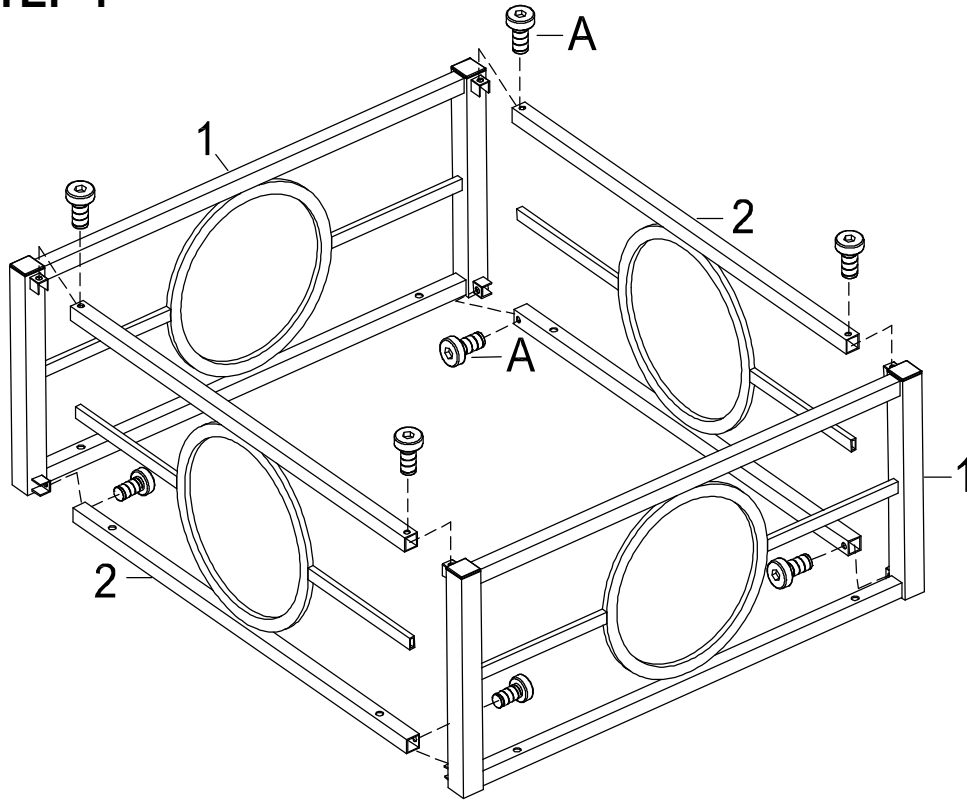


ASSEMBLY INSTRUCTIONS

1	2	3
 <p data-bbox="167 1077 405 1151">SIDE PANEL #1 2PCS</p>	 <p data-bbox="644 1077 882 1151">SIDE PANEL #2 2PCS</p>	 <p data-bbox="1161 1077 1315 1151">CUSHION 1PC</p>
<p data-bbox="272 1167 300 1196">A</p>	<p data-bbox="751 1167 778 1196">B</p>	<p data-bbox="1225 1167 1252 1196">C</p>
 <p data-bbox="167 1536 405 1610">BOLT 1/4"X1/2" 8PCS</p>	 <p data-bbox="628 1536 898 1610">BOLT 1/4"X1-3/4" 4PCS</p>	 <p data-bbox="1145 1536 1331 1610">ALLEN KEY 1PC</p>

***** Do not tighten screws & bolts until the entire unit is completely assembled. *****

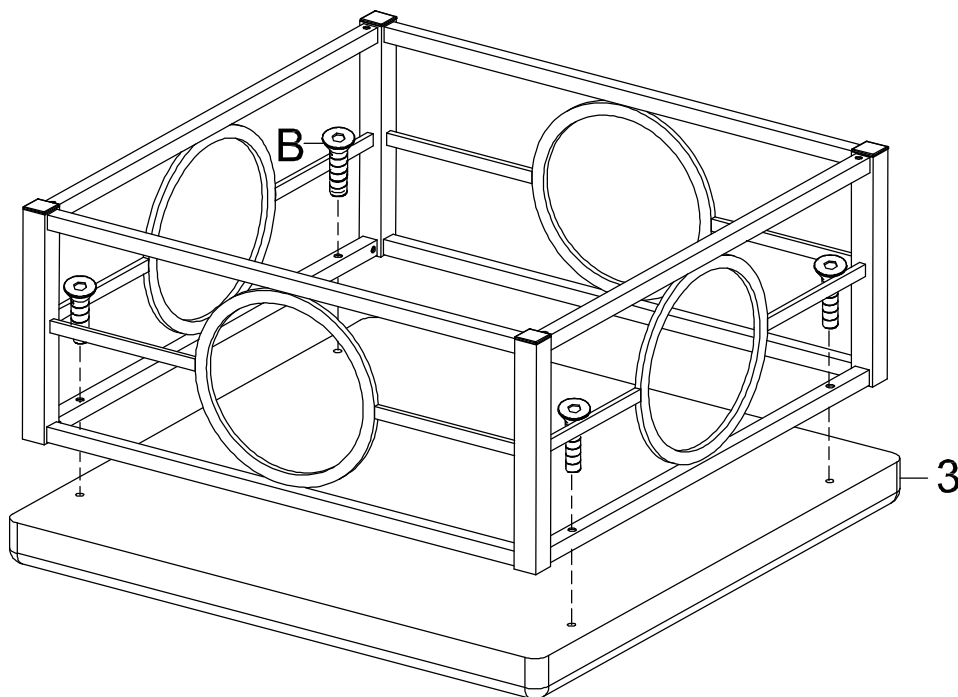
STEP 1



*Please put all parts on a soft surface to prevent scratches.

Attach side panel #2 (2) to side panel #1 (1) by using bolt (A) as shown.

STEP 2



Attach metal frame to cushion (3) by using bolt (B) as shown.

Tighten all bolts firmly.

Turn the unit right side up carefully.

Your ottoman coffee table is now complete.