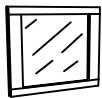

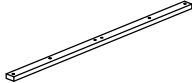


# ASSEMBLY INSTRUCTION FOR ACME FURNITURE

## MODEL # 26774

Thank you for purchasing the quality product. Be sure to check all packing material carefully for small parts which may have come loose inside the carton during shipment. Separate, identify and count all parts and metal hardware. Compare with all parts list to be sure all parts are present. If any part(s) are missing or damaged, please contact your local furniture dealer. For efficient and speedy service, please indicate the model number and code letter of part(s) needed.

\*\*\*Do not fully tighten screws until fully assembled\*\*\*

COMPONENT PARTS		
DESCRIPTION	PART NAME	Q'TY (PCS)
①	MIRROR 	1
②	DRESSER 	1
③	MIRROR SUPPORT 	2

### HARDWARE REQUIRED (BOX OF MIRROR)

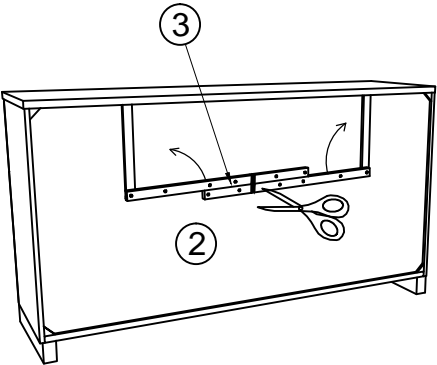
- Ⓐ  FLATHEAD CHIPBOARD SCREW 5/32" x 1 2/8" - 10 PCS

**Attention:**

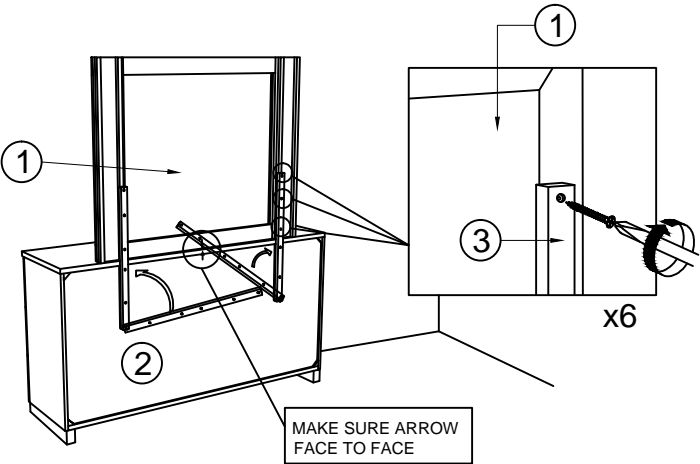
\*\*\* Some number parts listed in the instruction sheet may not be in parts bags as they already be assembled. Caerfully check parts and packing materials prior to ordering replacements.

### **How to assemble:**

**Step 1:**



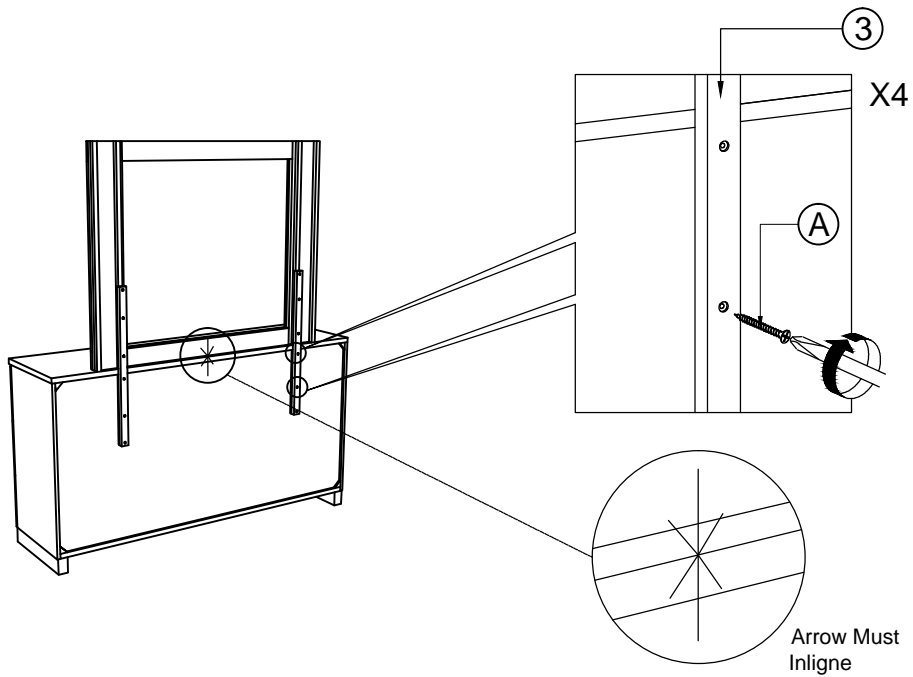
**Step 2:**



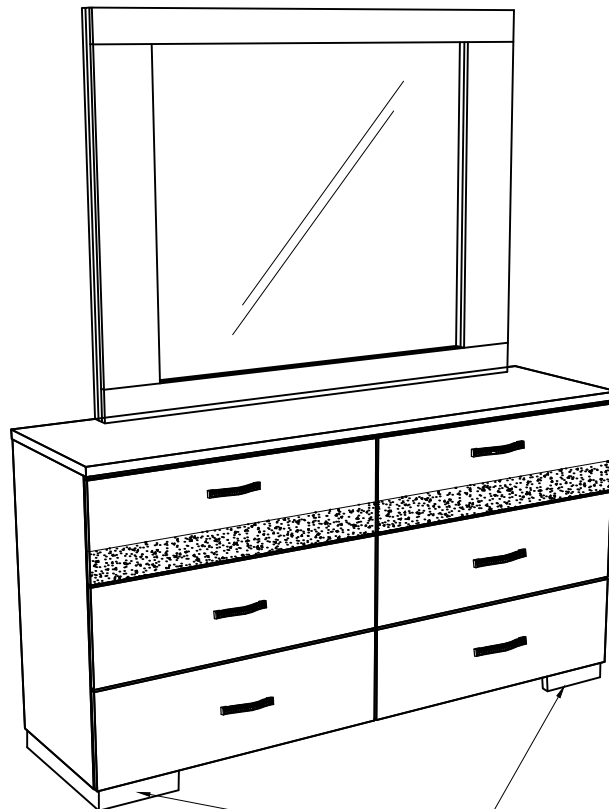
MAKE SURE ARROW  
FACE TO FACE

# How to assemble:

Step 3:



Step 4:  
COMPLETE



PLEASE REMOVE THE  
PROTECTIVE FILM  
BEFORE USE