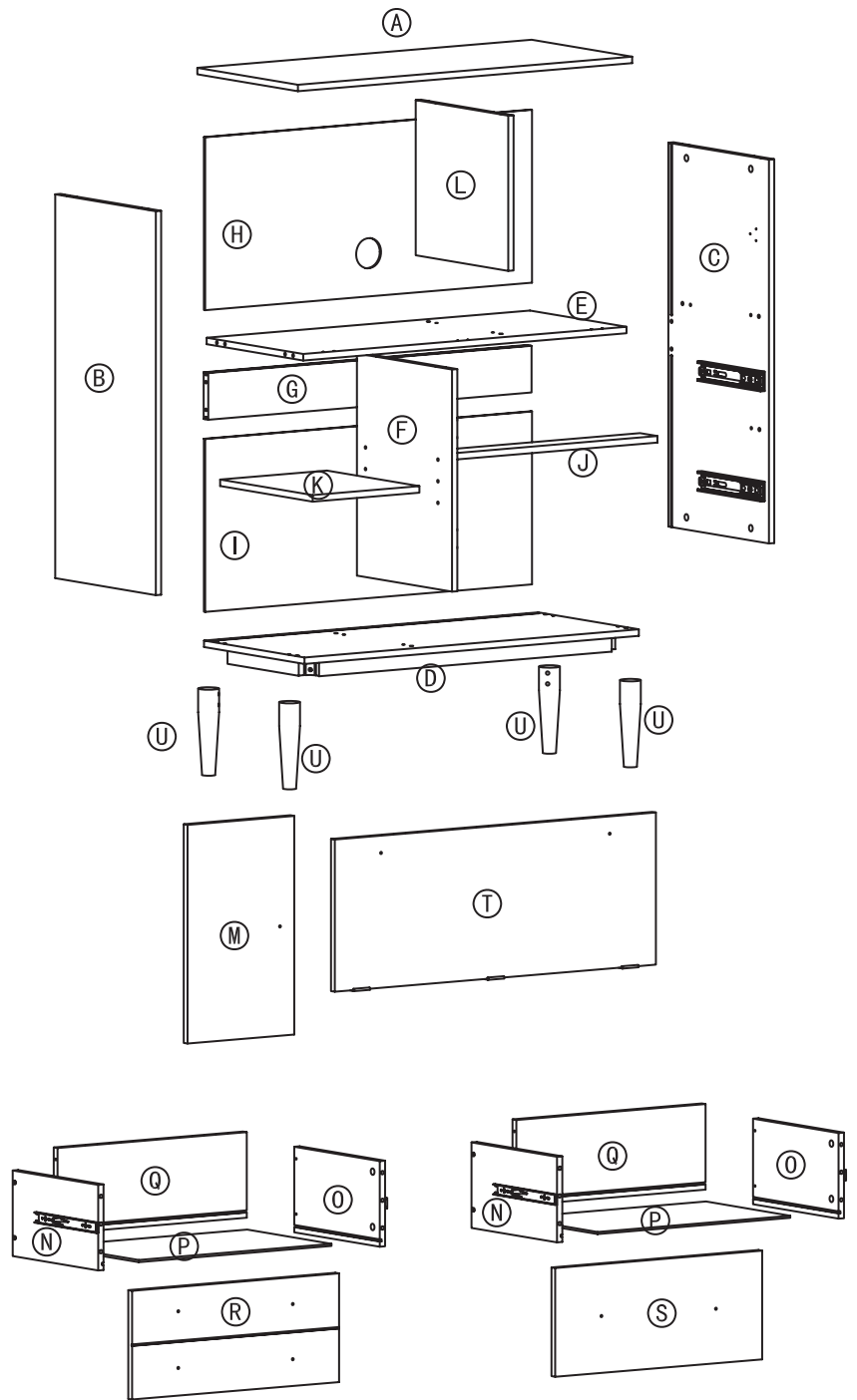
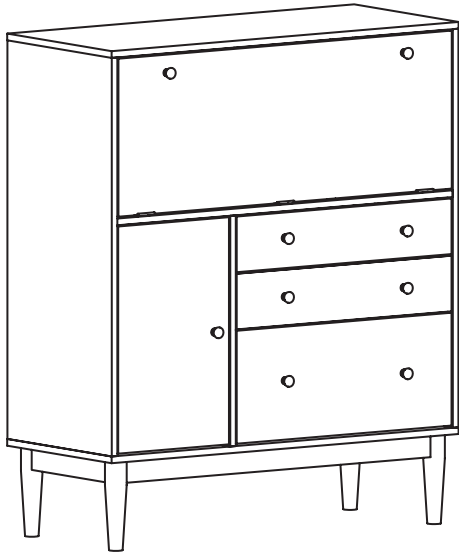










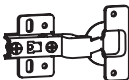











Writing Desk

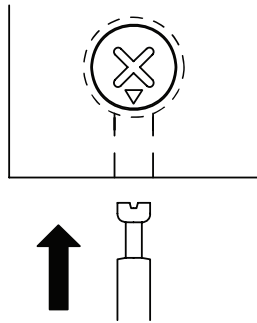
Item no.92315



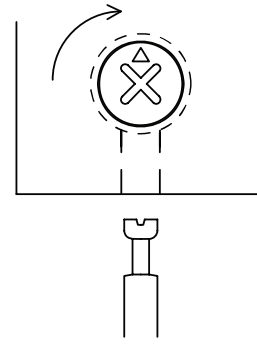
1		34 pcs	2		34 pcs	3		26 pcs	4		8 pcs
5		9 pcs	6		9 pcs	7		4 pcs	8		10 pcs
9		18 pcs	10		4 pcs	11		2 pcs	12		2 pcs
13		1 pc	14		10 pcs	15		8 pcs	16		8 pcs
17		1 pc	18		1 pc	19		1 pc	20		1 pc

CAM LOCK SYSTEM

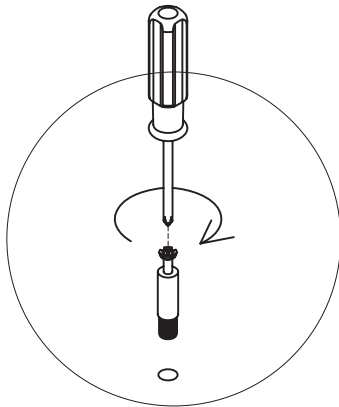
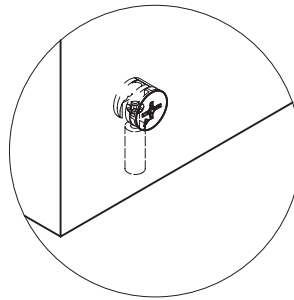
(1)



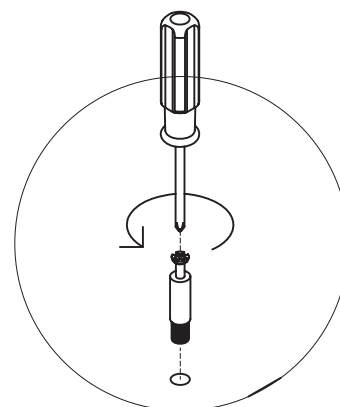
(2)



IMPORTANT NOTE--CAM LOCK ADJUSTMENT

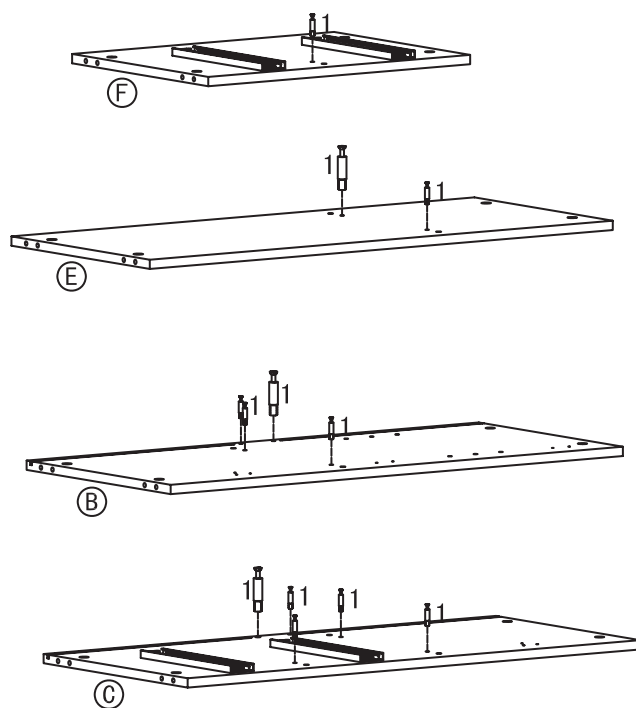
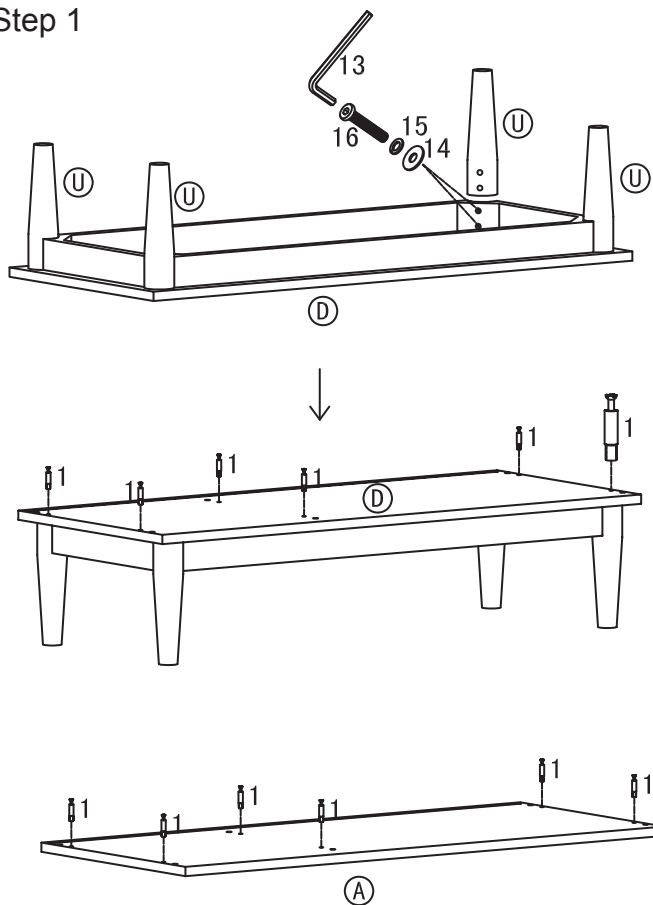


If Cam Lock
is too loose,
Please adjust Metal
Dowel to turn right
as drawing.

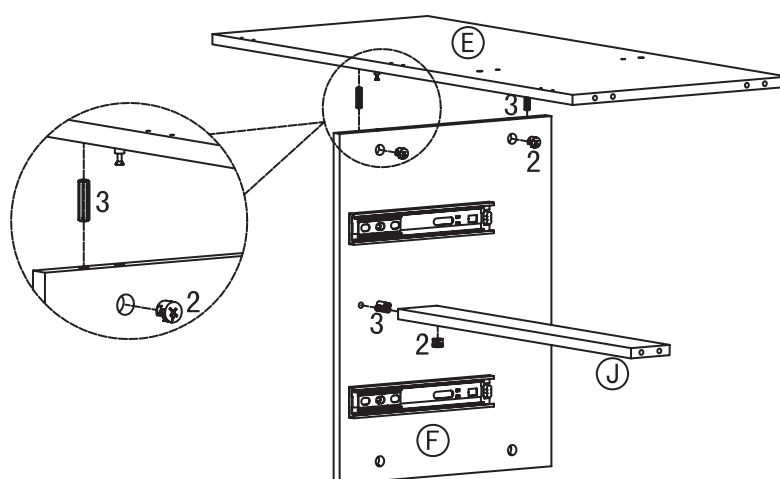


If Cam Lock
is too tight,
Please adjust Metal
Dowel to turn left
as drawing.

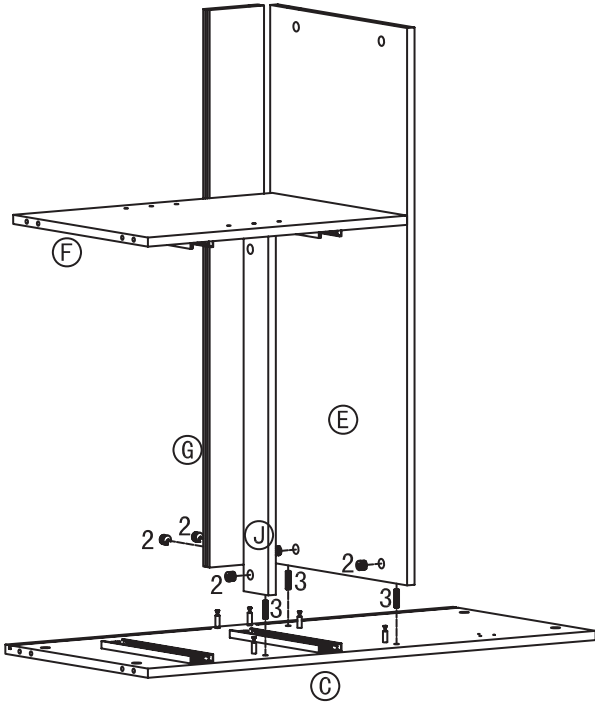
Step 1



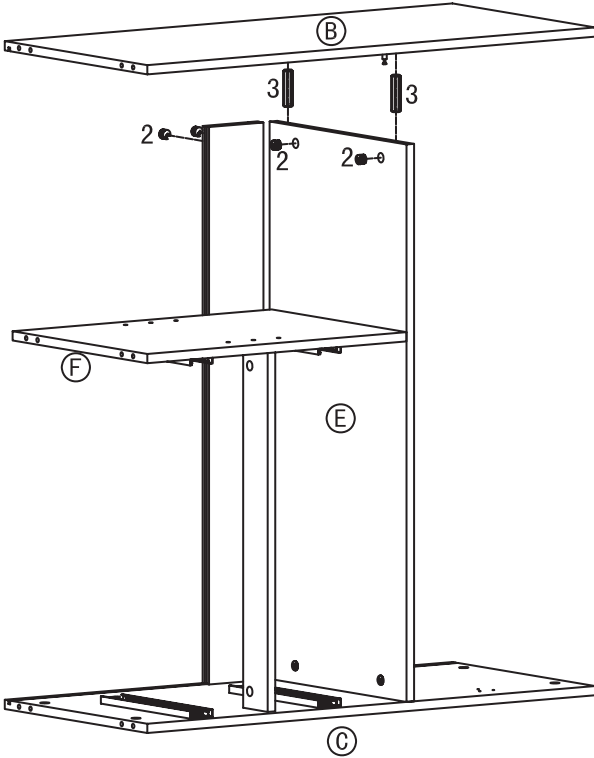
Step 2



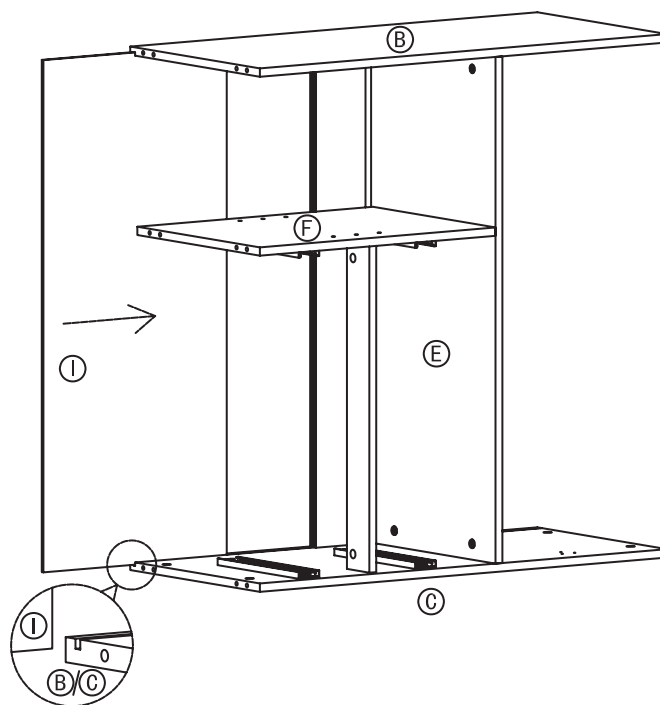
Step 3



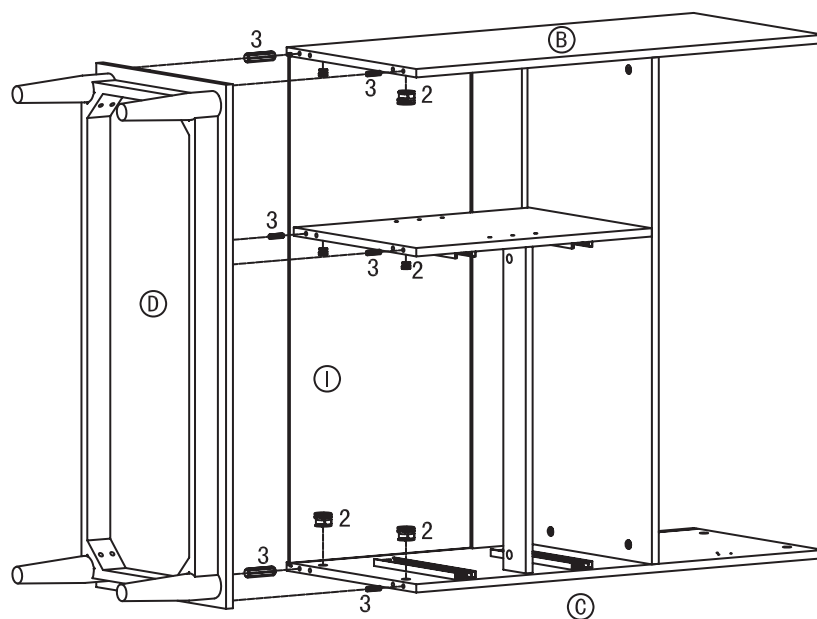
Step 4



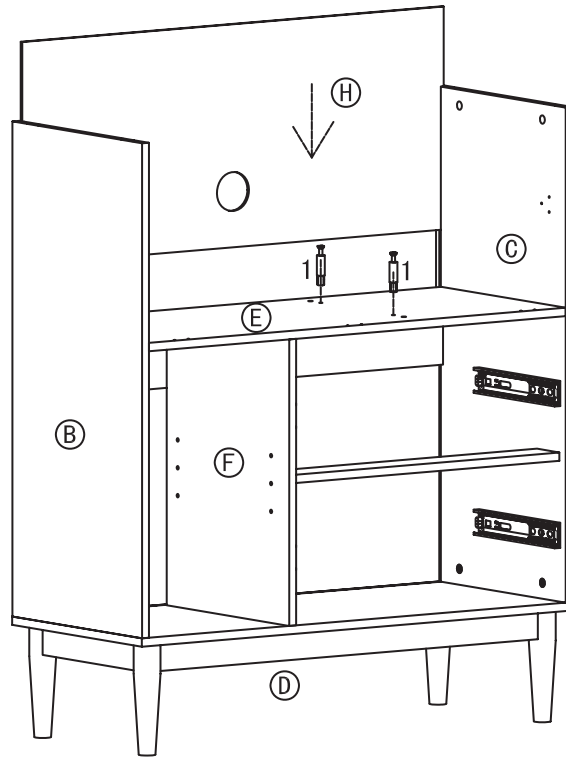
Step 5



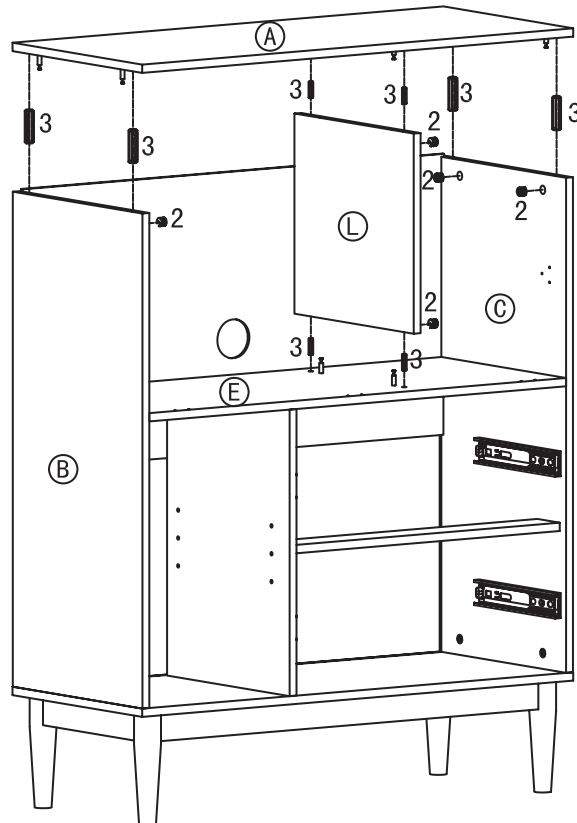
Step 6



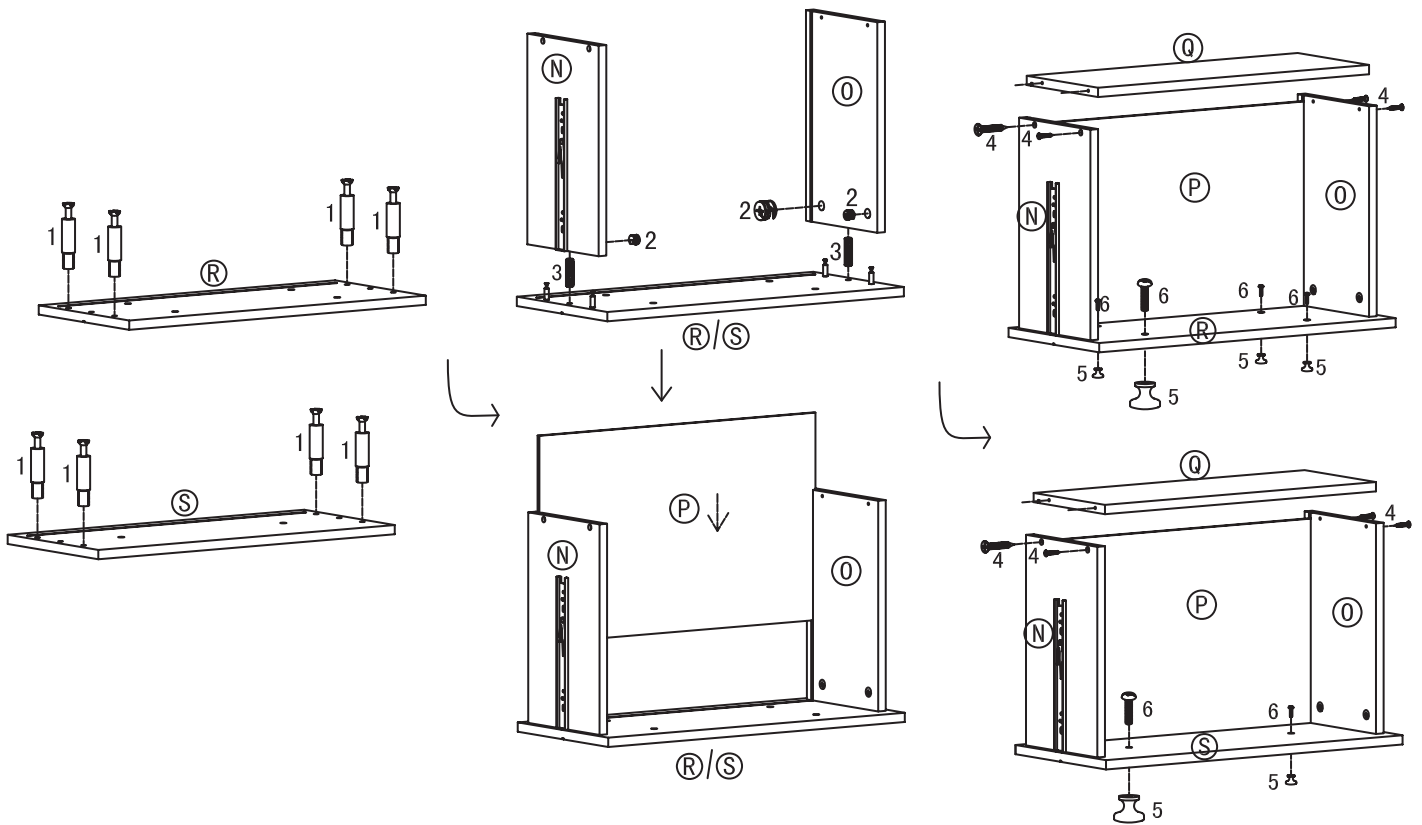
Step 7



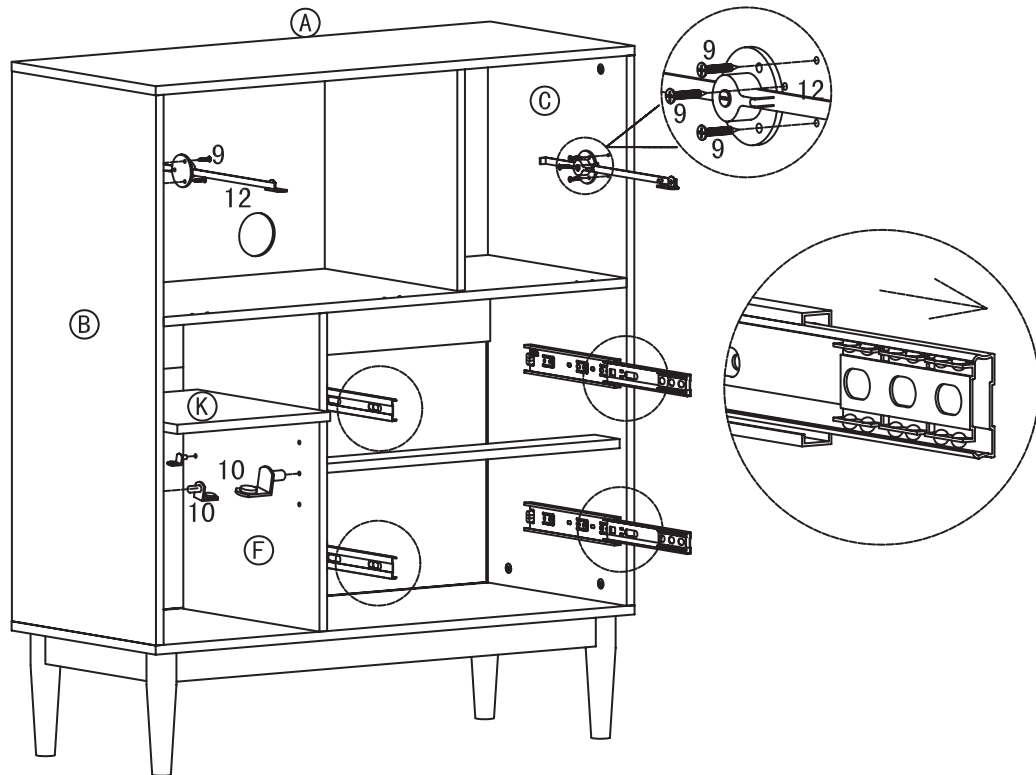
Step 8



Step 9

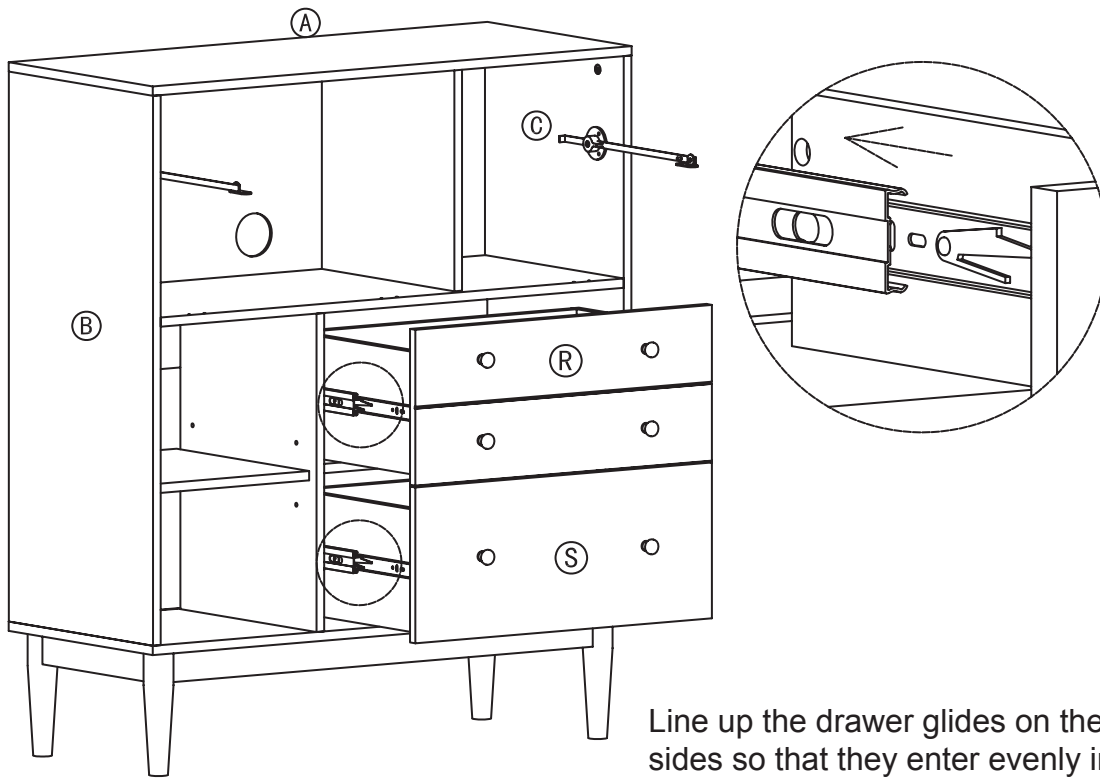


Step 10



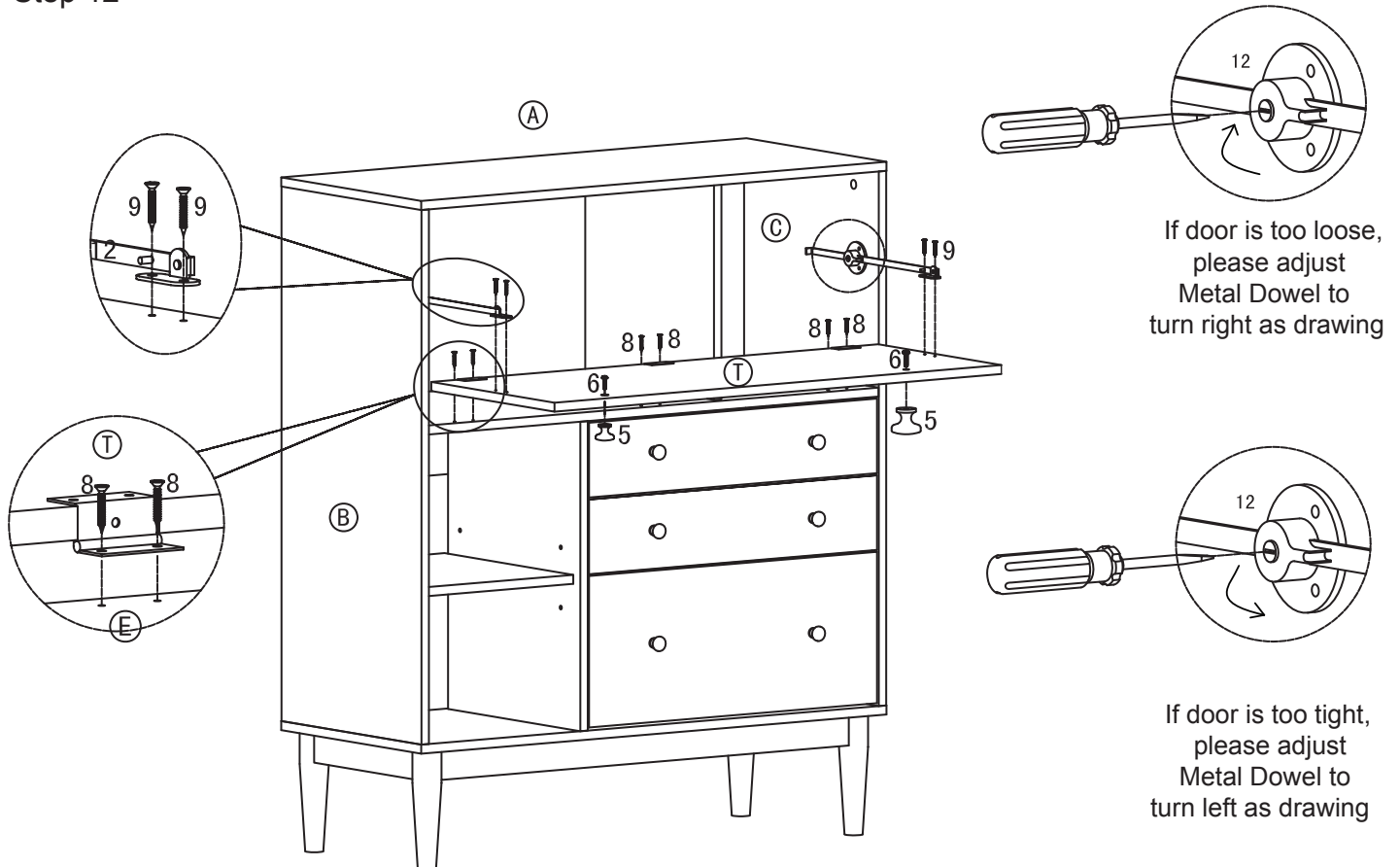
Slide out the side panel drawer glides for proper insertion of the drawers.

Step 11



Line up the drawer glides on the drawers on both sides so that they enter evenly into the extended receiving side panel drawer glides as shown then gently push in the drawer until the drawer is secure and slides in and out smoothly.

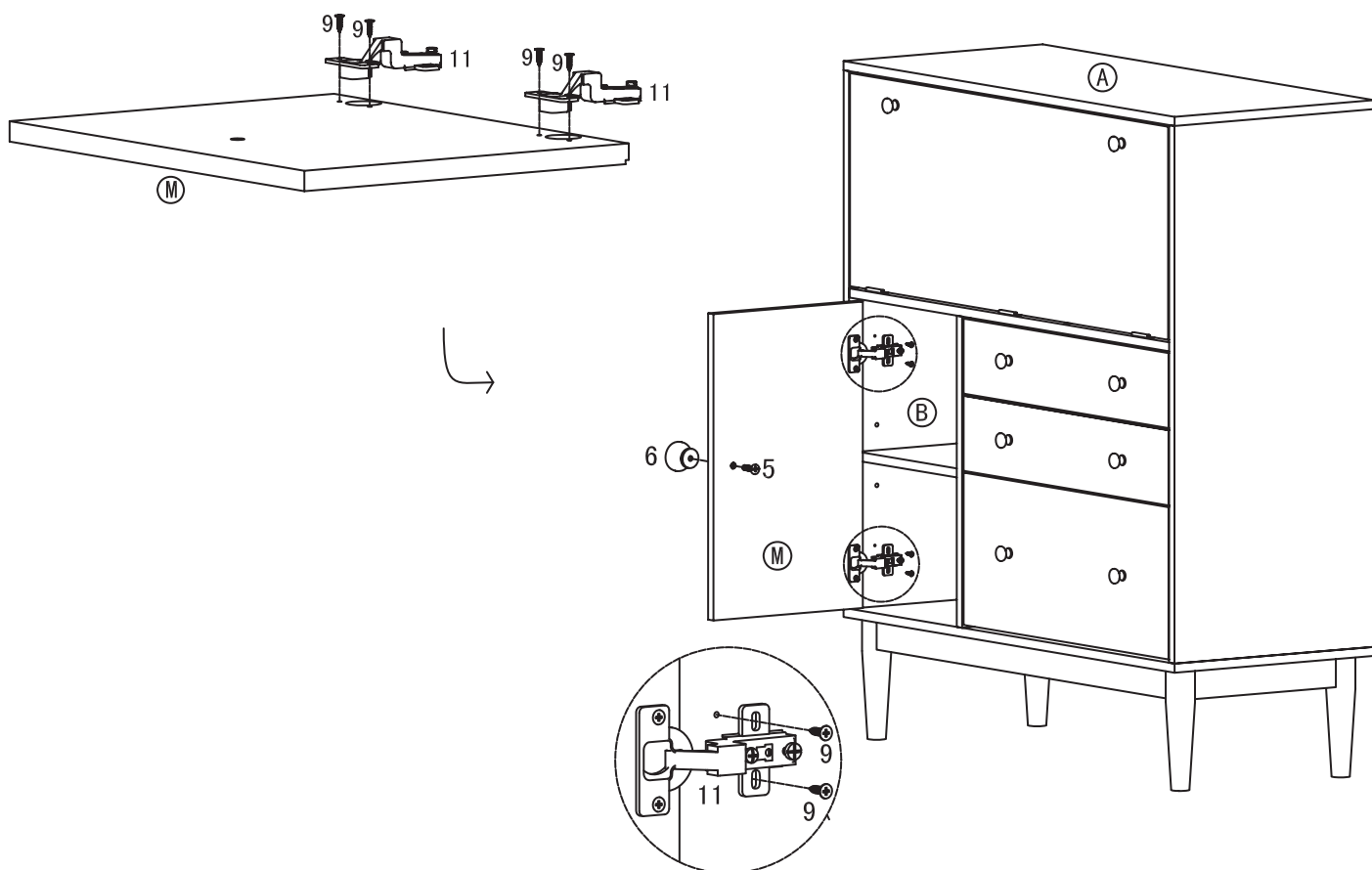
Step 12



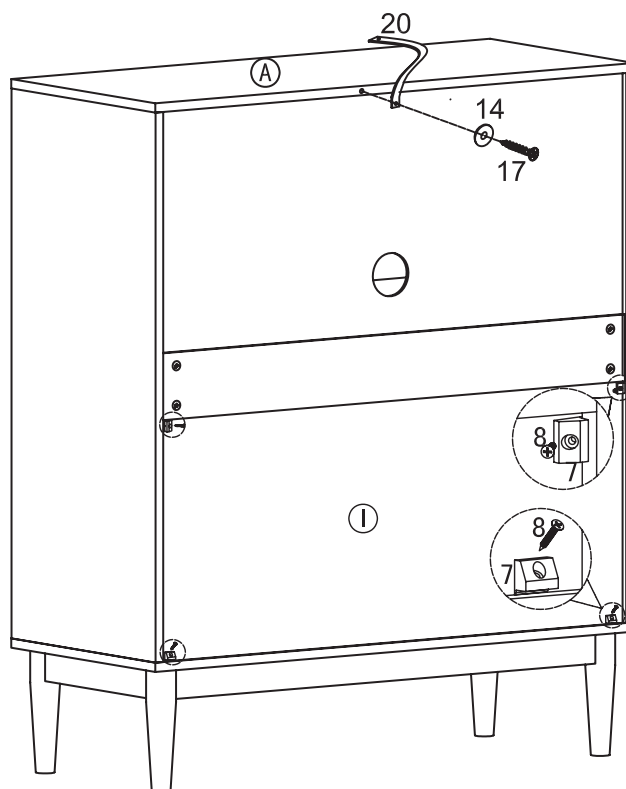
If door is too loose, please adjust Metal Dowel to turn right as drawing

If door is too tight, please adjust Metal Dowel to turn left as drawing

Step 13



Step 14



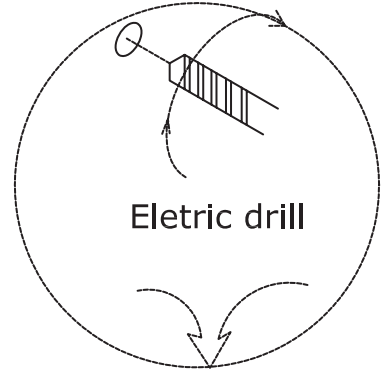
Step 15



Wall

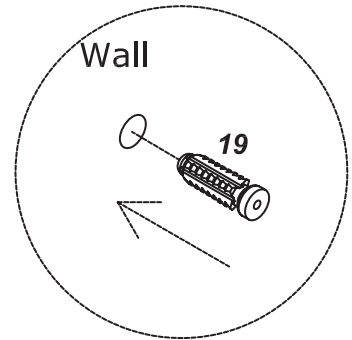


Wall

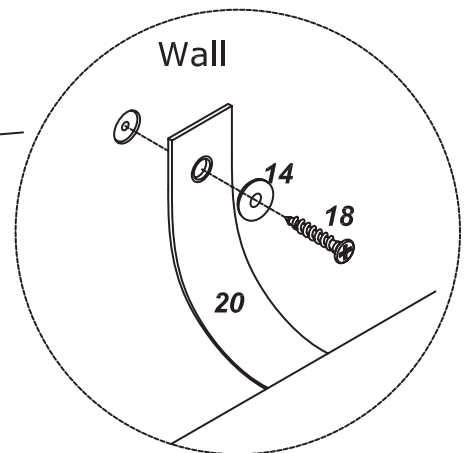


Electric drill

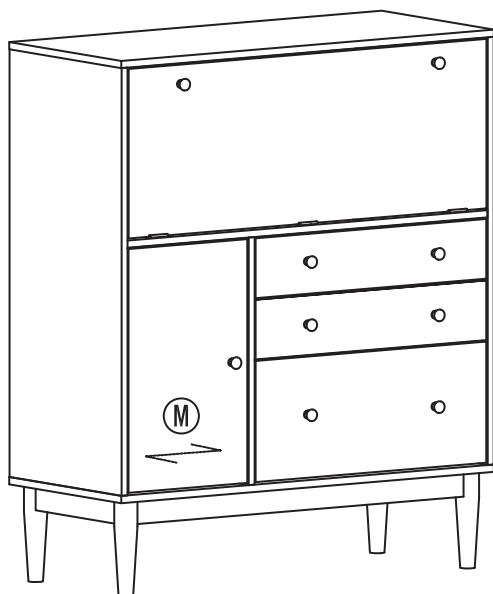
Wall



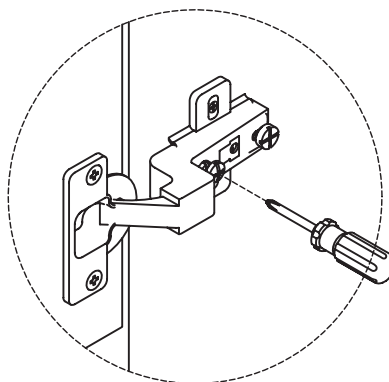
Wall



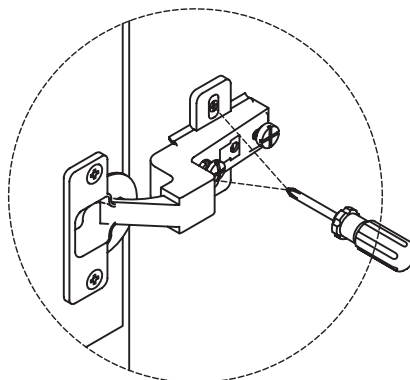
Step 15



To move door left or right, loosen screw as shown and move door to suit. Re-tighten screw.



To move door up or down, loosen screws as shown and move door to suit. Re-tighten screws.



To move door in or out, loosen screw as shown and move door to suit. Re-tighten screw.

