

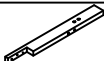

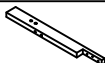






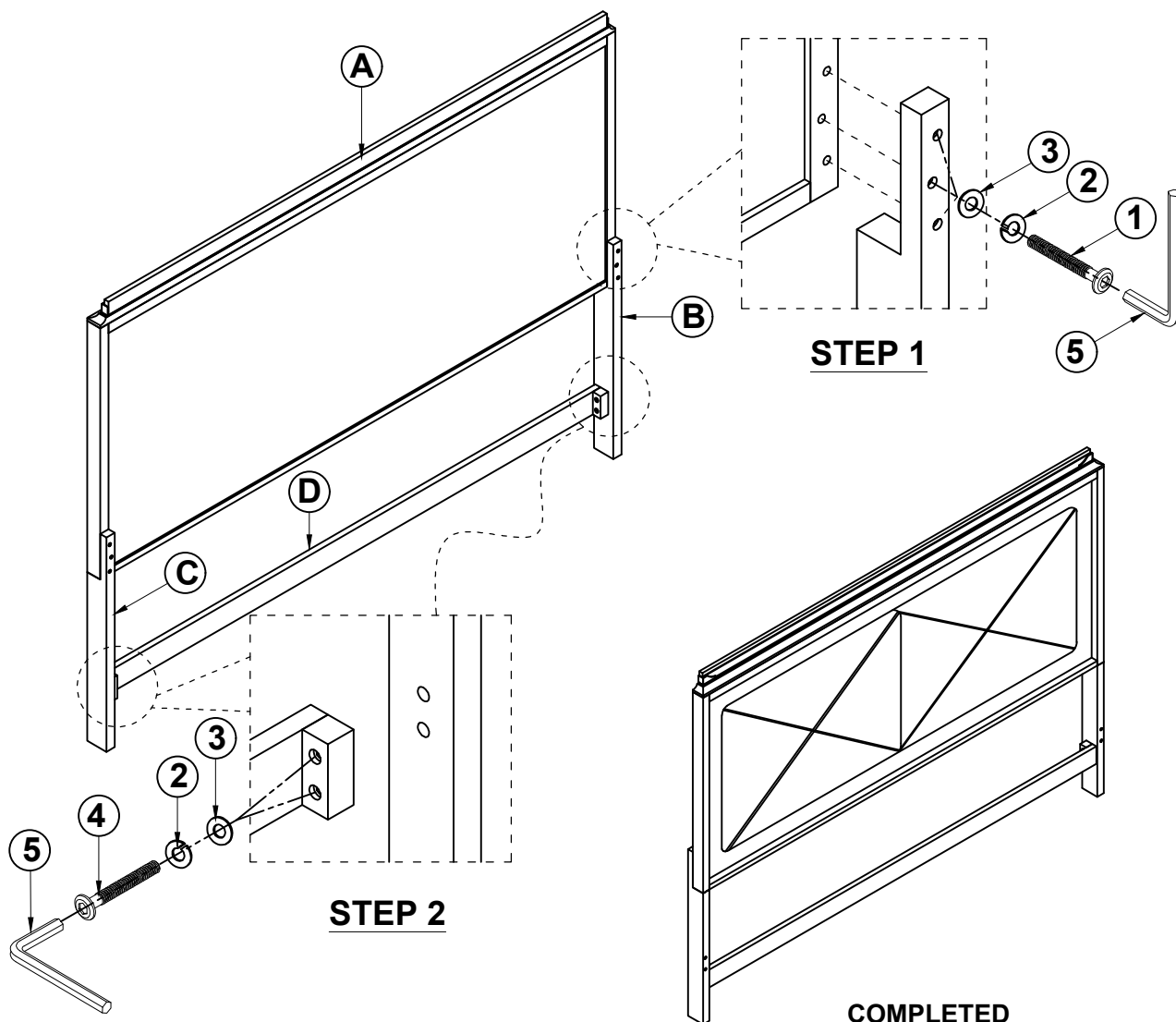
# ASSEMBLY INSTRUCTION

## MODEL: #23918 EASTERN KING BED HEADBOARD

Thank you for purchasing this quality product. Be sure to check all packing material carefully for small parts which may have come loose inside the carton during shipment. Separate, identify and count all parts and metal hardware. Compare with parts list to be sure all parts are present. If any part(s) are missing or damaged, please contact your local furniture dealer. For efficient and speedy service, please indicate the model number and code letter of part(s) needed.

\*\*\* Do not fully tighten screws until fully assembled \*\*\*

PARTS LIST				HARDWARE LIST			
NO	DESCRIPTION	SKETCH	QTY	NO	DESCRIPTION	SKETCH	QTY
A	HEADBOARD		1 Pc	1	ALLEN BOLT (Ø5/16*35mm)		6 Pcs
B	LEFT LEG		1 Pc	2	SPRING WASHER (Ø5/16*11*2mm)		10 Pcs
C	RIGHT LEG		1 Pc	3	FLAT WASHER (Ø5/16*19*2mm)		10 Pcs
D	CROSSBAR		1 Pc	4	ALLEN BOLT (Ø1/4*35mm)		4 Pcs
				5	ALLEN KEY (M4)		1 Pc



Made in Vietnam

# ASSEMBLY INSTRUCTION

## MODEL: #23919 EASTERN KING BED FOOTBOARD

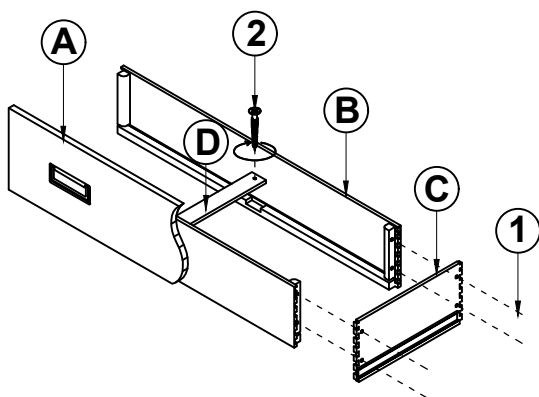
Thank you for purchasing this quality product. Be sure to check all packing material carefully for small parts which may have come loose inside the carton during shipment. Separate, identify and count all parts and metal hardware. Compare with parts list to be sure all parts are present. If any part(s) are missing or damaged, please contact your local furniture dealer. For efficient and speedy service, please indicate the model number and code letter of part(s) needed.

\*\*\* Do not fully tighten screws until fully assembled \*\*\*

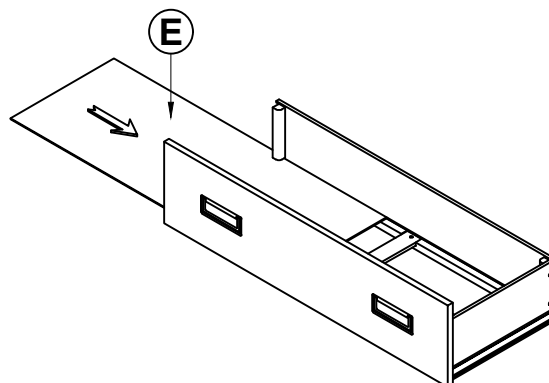
PARTS LIST			
		SKETCH	QTY
A	DRAWER FRONT		2 Pcs
B	BACK PANEL OF DRAWER		2 Pcs
C	SIDE PANEL OF DRAWER		4 Pcs
D	BOTTOM SUPPORT		2 Pcs
E	BOTTOM PANEL OF DRAWER		2 Pcs

HARDWARE LIST			
NO	DESCRIPTION	SKETCH	QTY
1	PHILLIPS SCREW (Ø5/32*22mm)		16 Pcs
2	SCREW (#8 * 15mm)		4 Pcs

### STEP 2

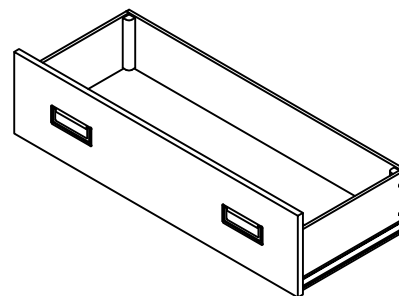
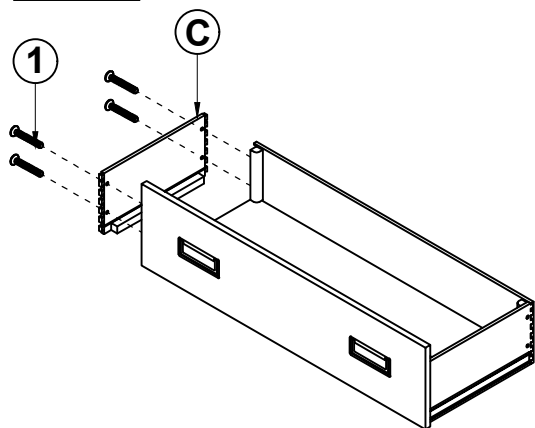


### STEP 3



### STEP 1

### STEP 4









COMPLETED

# ASSEMBLY INSTRUCTION

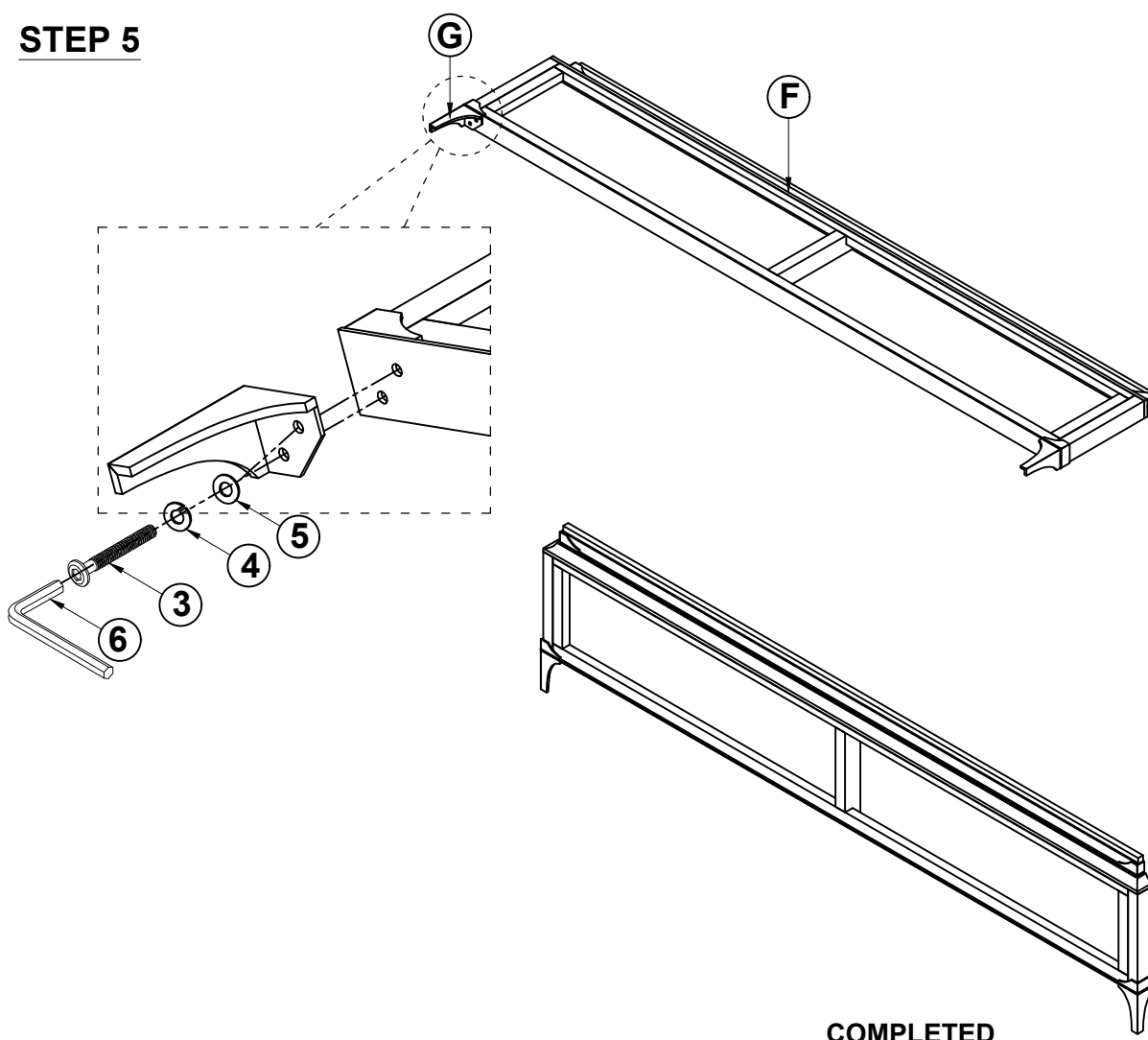
## MODEL: #23919 EASTERN KING BED FOOTBOARD

Thank you for purchasing this quality product. Be sure to check all packing material carefully for small parts which may have come loose inside the carton during shipment. Separate, identify and count all parts and metal hardware. Compare with parts list to be sure all parts are present. If any part(s) are missing or damaged, please contact your local furniture dealer. For efficient and speedy service, please indicate the model number and code letter of part(s) needed.

\*\*\* Do not fully tighten screws until fully assembled \*\*\*

PARTS LIST				HARDWARE LIST			
NO	DESCRIPTION	SKETCH	QTY	NO	DESCRIPTION	SKETCH	QTY
F	FOOTBOARD		1 Pc	3	ALLEN BOLT (Ø5/16*20mm)		4Pcs
G	LEGS		2 Pcs	4	SPRING WASHER (Ø5/16*11*2mm)		4Pcs
				5	FLAT WASHER (Ø5/16*16*2mm)		4Pcs
				6	ALLEN KEY (M4)		1 Pc

### STEP 5









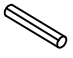
COMPLETED

# ASSEMBLY INSTRUCTION

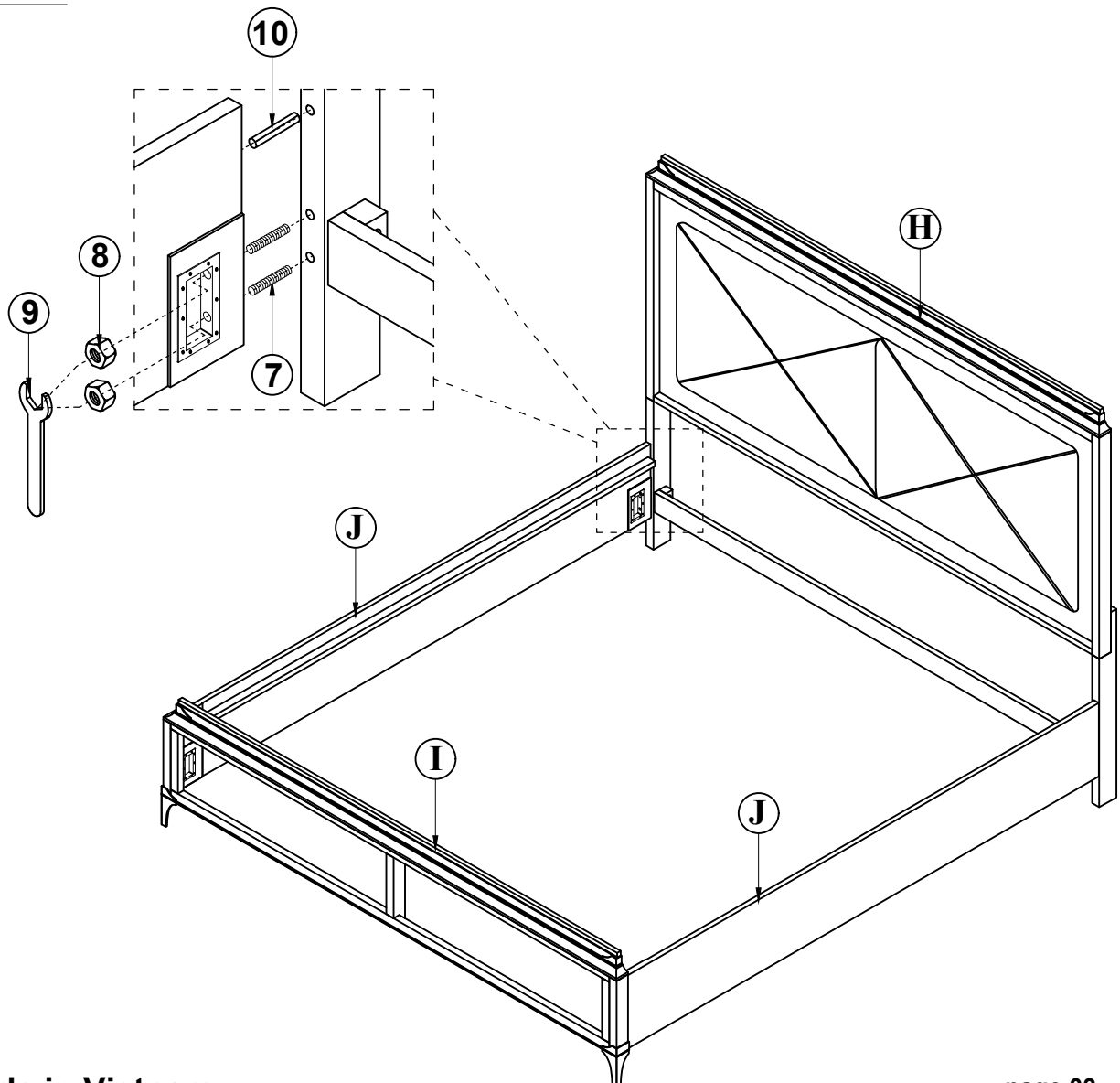
## MODEL: #23917/ 18/ 19 EASTERN KING BED

Thank you for purchasing this quality product. Be sure to check all packing material carefully for small parts which may have come loose inside the carton during shipment. Separate, identify and count all parts and metal hardware. Compare with parts list to be sure all parts are present. If any part(s) are missing or damaged, please contact your local furniture dealer. For efficient and speedy service, please indicate the model number and code letter of part(s) needed.

\*\*\* Do not fully tighten screws until fully assembled \*\*\*

PARTS LIST				HARDWARE LIST			
NO	DESCRIPTION	SKETCH	QTY	NO	DESCRIPTION	SKETCH	QTY
H	HEADBOARD		1 Pc	7	BOLT (Ø5/16*90mm)		8 Pcs
I	FOOTBOARD		1 Pc	8	NUT (Ø5/16*12*6mm)		8 Pcs
J	SIDE RAILS		2 Pcs	9	SPANNER WRENCH (M12)		1 Pc
				10	WOODEN PEGS (Ø10*40mm)		4 Pcs

### STEP 6












# ASSEMBLY INSTRUCTION

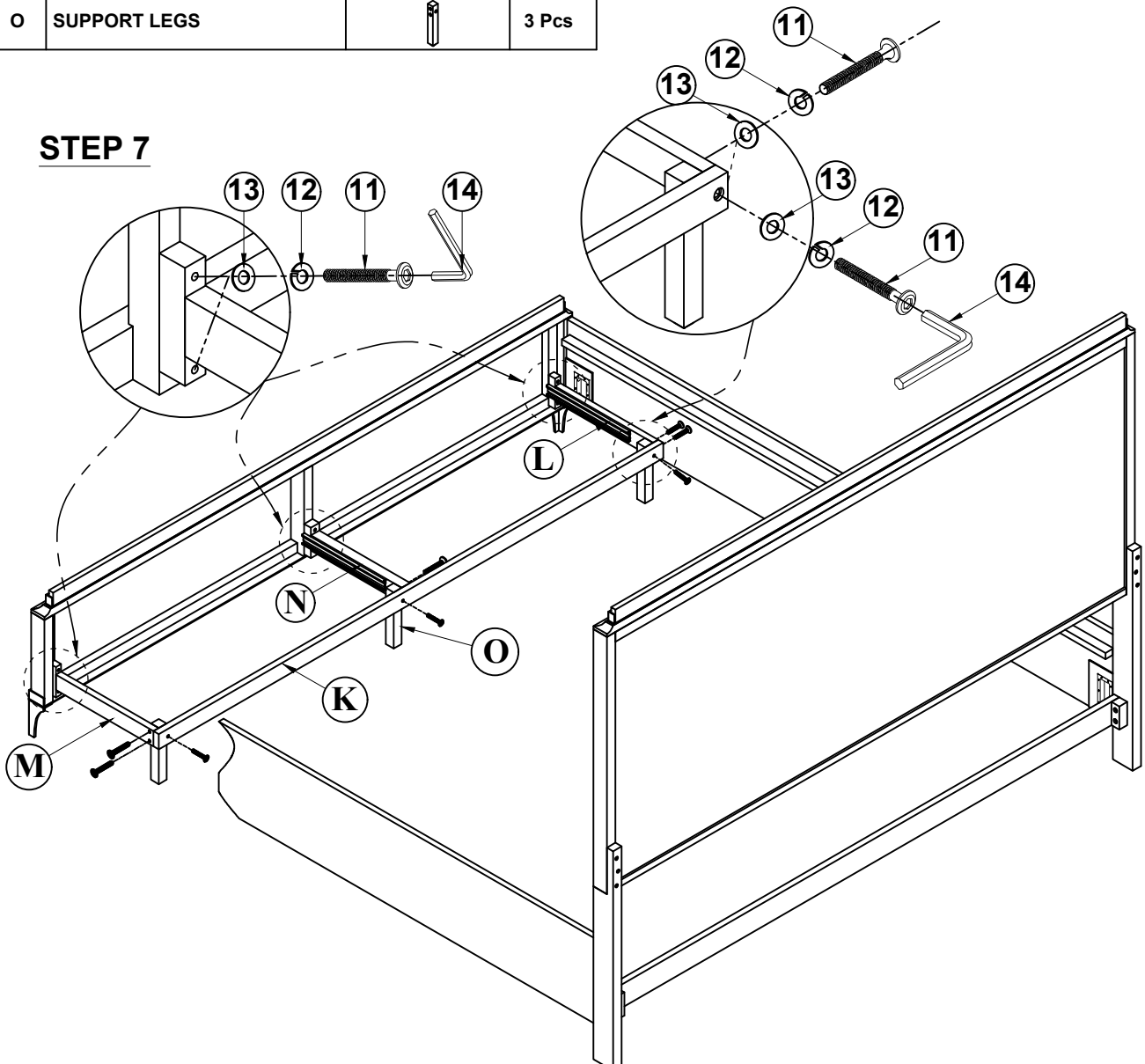
## MODEL: #23917/ 18/ 19 EASTERN KING BED

Thank you for purchasing this quality product. Be sure to check all packing material carefully for small parts which may have come loose inside the carton during shipment. Separate, identify and count all parts and metal hardware. Compare with parts list to be sure all parts are present. If any part(s) are missing or damaged, please contact your local furniture dealer. For efficient and speedy service, please indicate the model number and code letter of part(s) needed.

\*\*\* Do not fully tighten screws until fully assembled \*\*\*

PARTS LIST				HARDWARE LIST			
NO	DESCRIPTION	SKETCH	QTY	NO	DESCRIPTION	SKETCH	QTY
K	CROSSBAR		1 Pc	11	ALLEN BOLT (Ø1/4*45mm)		15Pcs
L	SIDE OF THE CROSSBAR (R)		1 Pc	12	SPRING WASHER (Ø1/4*11*2mm)		15Pcs
M	SIDE OF THE CROSSBAR (L)		1 Pc	13	FLAT WASHER (Ø1/4*16*2mm)		15Pcs
N	SIDE OF THE CROSSBAR (MID)		1 Pc	14	ALLEN KEY (M4)		1 Pc
O	SUPPORT LEGS		3 Pcs				

### STEP 7



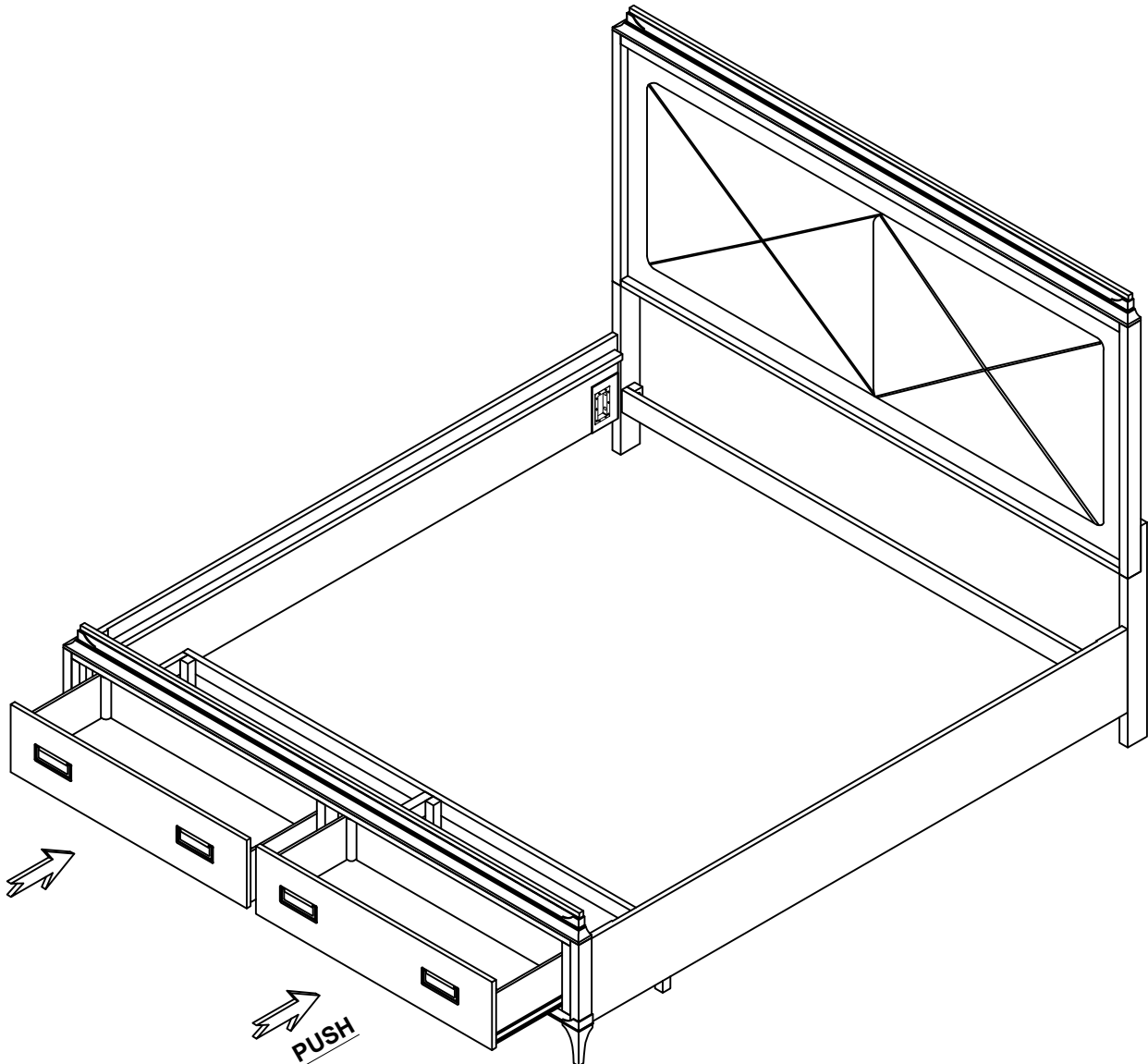
# ASSEMBLY INSTRUCTION

## MODEL: #23917/ 18/ 19 EASTERN KING BED

Thank you for purchasing this quality product. Be sure to check all packing material carefully for small parts which may have come loose inside the carton during shipment. Separate, identify and count all parts and metal hardware. Compare with parts list to be sure all parts are present. If any part(s) are missing or damaged, please contact your local furniture dealer. For efficient and speedy service, please indicate the model number and code letter of part(s) needed.

\*\*\* Do not fully tighten screws until fully assembled \*\*\*

### STEP 8



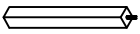


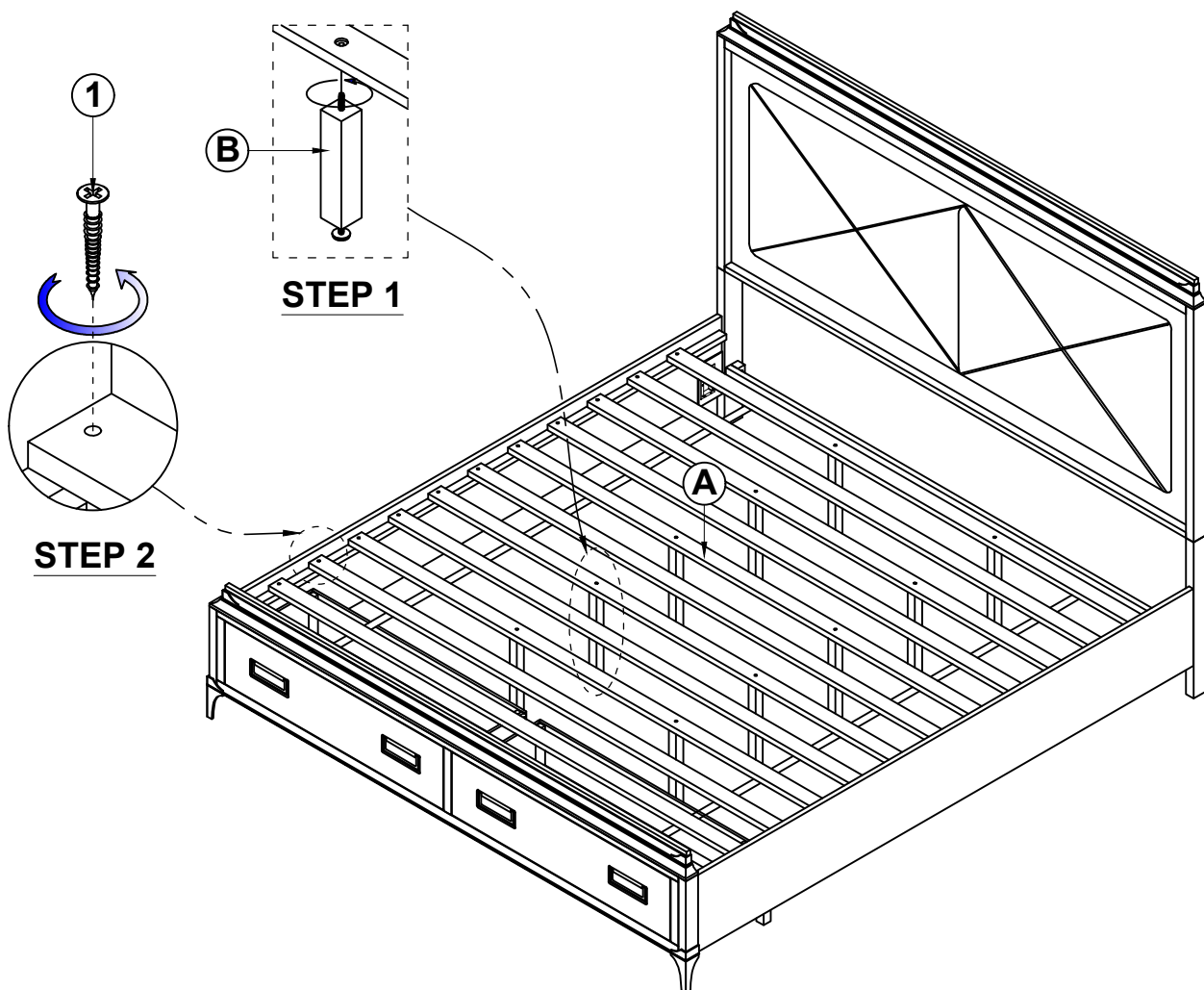
# ASSEMBLY INSTRUCTION

## MODEL: #23917/ 18/ 19 EASTERN KING BED

Thank you for purchasing this quality product. Be sure to check all packing material carefully for small parts which may have come loose inside the carton during shipment. Separate, identify and count all parts and metal hardware. Compare with parts list to be sure all parts are present. If any part(s) are missing or damaged, please contact your local furniture dealer. For efficient and speedy service, please indicate the model number and code letter of part(s) needed.

\*\*\* Do not fully tighten screws until fully assembled \*\*\*

PARTS LIST				HARDWARE LIST			
NO	DESCRIPTION	SKETCH	QTY	NO	DESCRIPTION	SKETCH	QTY
A	SLATS		1 Set	1	SCREW (#8*35mm)		26 Pcs
B	SUPPORT LEGS		10 Pcs				



Made in Vietnam