



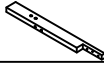

ASSEMBLY INSTRUCTION

MODEL: #23918 CALIFORNIA KING BED HEADBOARD






Thank you for purchasing this quality product. Be sure to check all packing material carefully for small parts which may have come loose inside the carton during shipment. Separate, identify and count all parts and metal hardware. Compare with parts list to be sure all parts are present. If any part(s) are missing or damaged, please contact your local furniture dealer. For efficient and speedy service, please indicate the model number and code letter of part(s) needed.

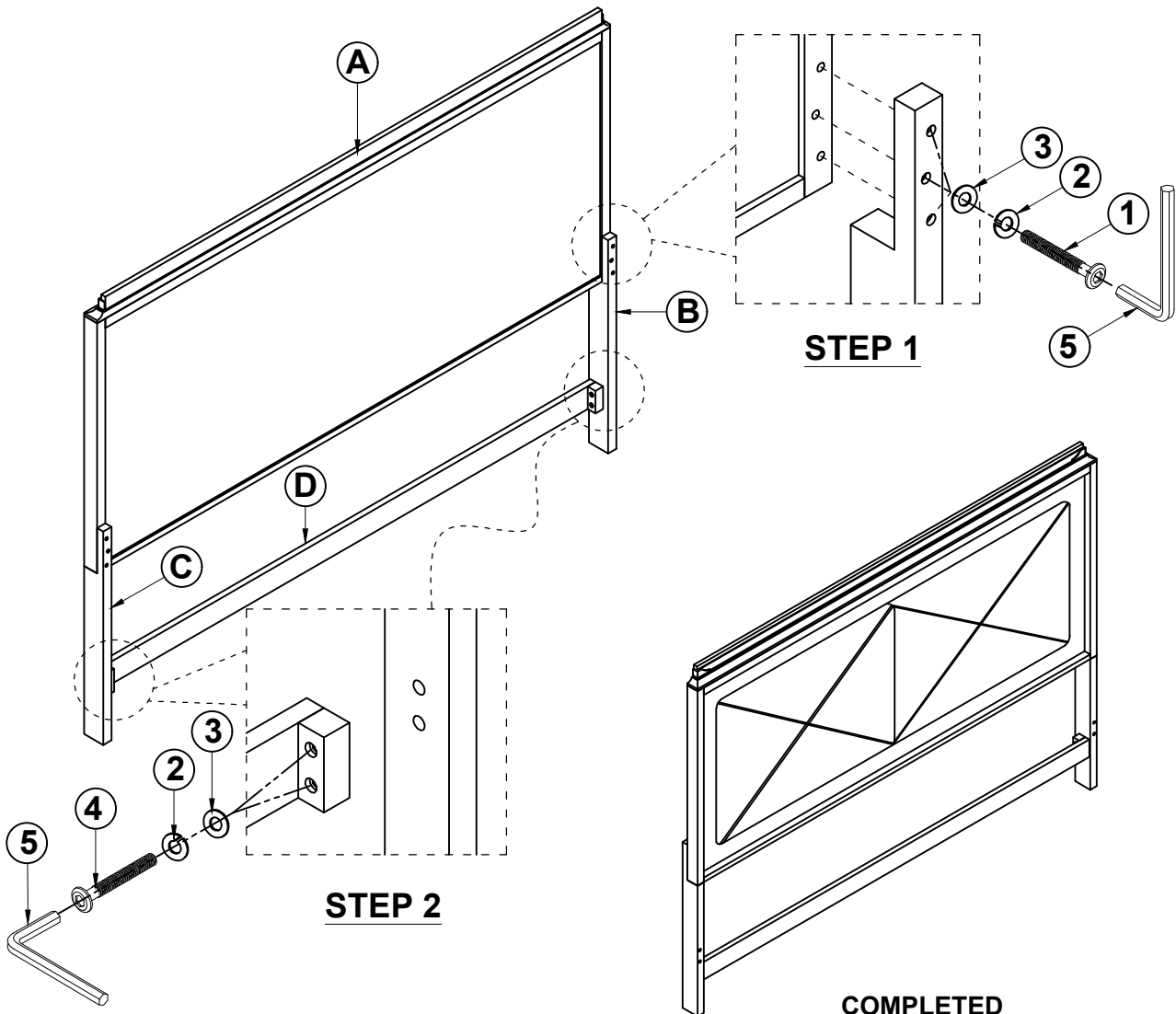
*** Do not fully tighten screws until fully assembled ***

PARTS LIST

NO	DESCRIPTION	SKETCH	QTY
A	HEADBOARD		1 Pc
B	LEFT LEG		1 Pc
C	RIGHT LEG		1 Pc
D	CROSSBAR		1 Pc

HARDWARE LIST

NO	DESCRIPTION	SKETCH	QTY
1	ALLEN BOLT (Ø5/16*35mm)		6 Pcs
2	SPRING WASHER (Ø5/16*11*2mm)		10 Pcs
3	FLAT WASHER (Ø5/16*19*2mm)		10 Pcs
4	ALLEN BOLT (Ø1/4*35mm)		4 Pcs
5	ALLEN KEY (M4)		1 Pc



Made in Vietnam





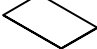
ASSEMBLY INSTRUCTION

MODEL: #23919 CALIFORNIA KING BED FOOTBOARD



Thank you for purchasing this quality product. Be sure to check all packing material carefully for small parts which may have come loose inside the carton during shipment. Separate, identify and count all parts and metal hardware. Compare with parts list to be sure all parts are present. If any part(s) are missing or damaged, please contact your local furniture dealer. For efficient and speedy service, please indicate the model number and code letter of part(s) needed.

*** Do not fully tighten screws until fully assembled ***

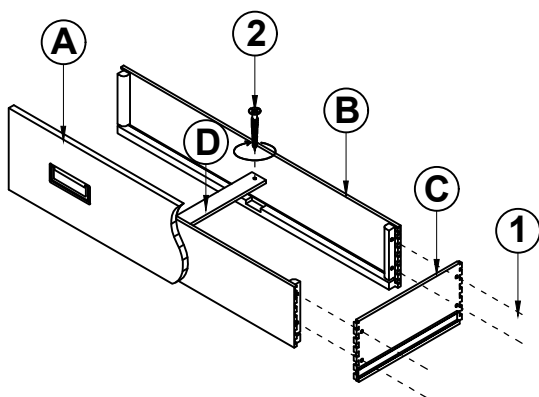
PARTS LIST

NO	DESCRIPTION	SKETCH	QTY
A	DRAWER FRONT		2 Pcs
B	BACK PANEL OF DRAWER		2 Pcs
C	SIDE PANEL OF DRAWER		4 Pcs
D	BOTTOM SUPPORT		2 Pcs
E	BOTTOM PANEL OF DRAWER		2 Pcs

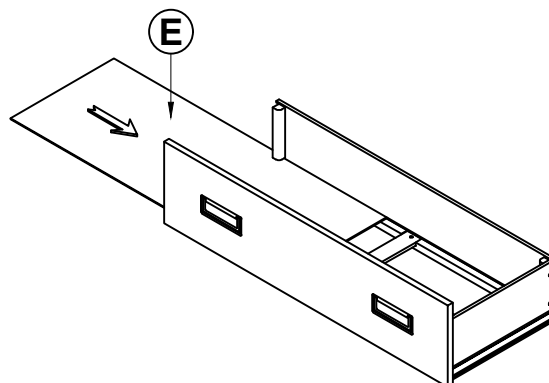
HARDWARE LIST

NO	DESCRIPTION	SKETCH	QTY
1	PHILLIPS SCREW (Ø5/32*22mm)		16 Pcs
2	SCREW (#8 * 15mm)		4 Pcs

STEP 2

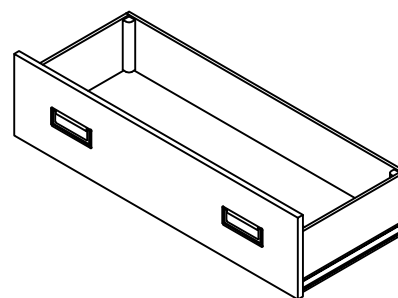
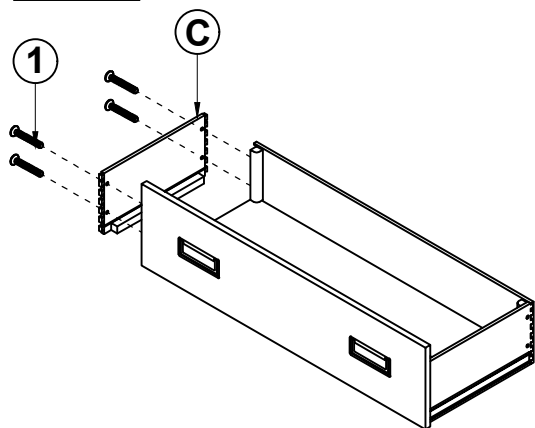


STEP 3



STEP 1

STEP 4



COMPLETED

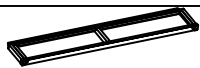

ASSEMBLY INSTRUCTION

MODEL: #23919 CALIFORNIA KING BED FOOTBOARD





Thank you for purchasing this quality product. Be sure to check all packing material carefully for small parts which may have come loose inside the carton during shipment. Separate, identify and count all parts and metal hardware. Compare with parts list to be sure all parts are present. If any part(s) are missing or damaged, please contact your local furniture dealer. For efficient and speedy service, please indicate the model number and code letter of part(s) needed.

*** Do not fully tighten screws until fully assembled ***

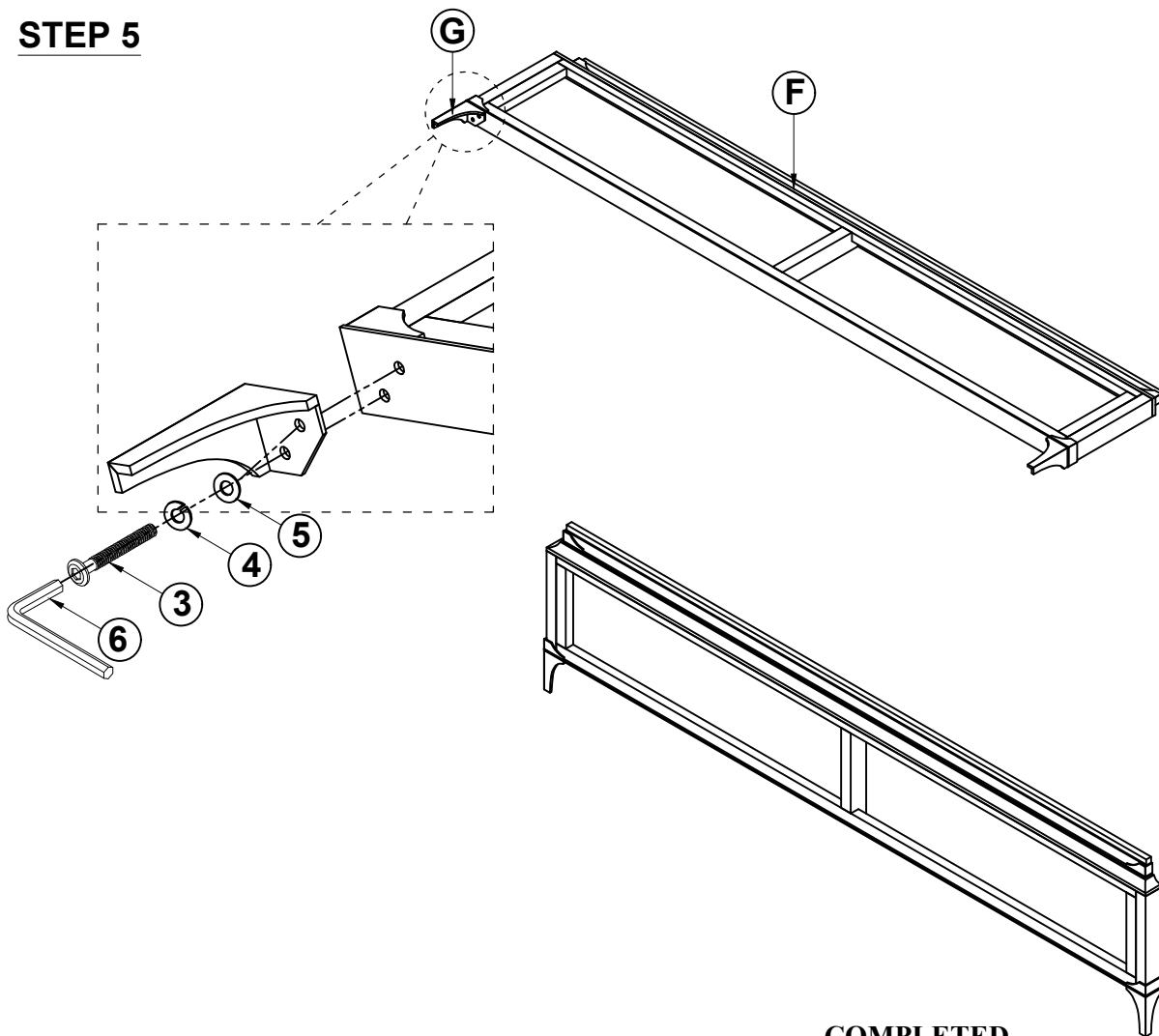
PARTS LIST

NO	DESCRIPTION	SKETCH	QTY
F	FOOTBOARD		1 Pc
G	LEGS		2 Pcs

HARDWARE LIST

NO	DESCRIPTION	SKETCH	QTY
3	ALLEN BOLT (Ø5/16*20mm)		4Pcs
4	SPRING WASHER (Ø5/16*11*2mm)		4Pcs
5	FLAT WASHER (Ø5/16*16*2mm)		4Pcs
6	ALLEN KEY (M4)		1 Pc

STEP 5










COMPLETED

ASSEMBLY INSTRUCTION

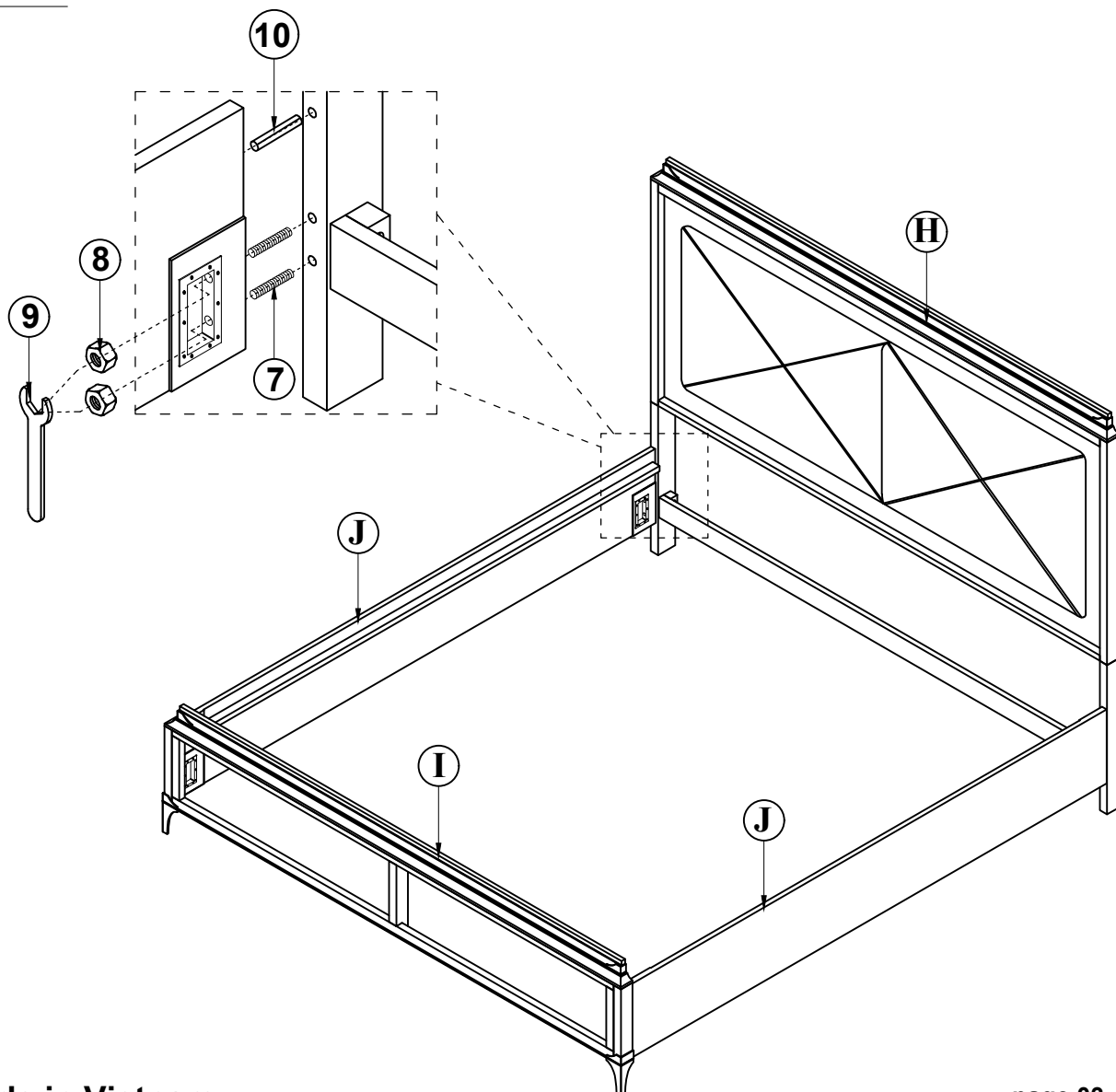
MODEL: #23914/ 18/ 19 CALIFORNIA KING BED

Thank you for purchasing this quality product. Be sure to check all packing material carefully for small parts which may have come loose inside the carton during shipment. Separate, identify and count all parts and metal hardware. Compare with parts list to be sure all parts are present. If any part(s) are missing or damaged, please contact your local furniture dealer. For efficient and speedy service, please indicate the model number and code letter of part(s) needed.

*** Do not fully tighten screws until fully assembled ***

PARTS LIST				HARDWARE LIST			
NO	DESCRIPTION	SKETCH	QTY	NO	DESCRIPTION	SKETCH	QTY
H	HEADBOARD		1 Pc	7	BOLT (Ø5/16*90mm)		8 Pcs
I	FOOTBOARD		1 Pc	8	NUT (Ø5/16*12*6mm)		8 Pcs
J	SIDE RAILS		2 Pcs	9	SPANNER WRENCH (M12)		1 Pc
				10	WOODEN PEGS (Ø10*40mm)		4 Pcs

STEP 6








ASSEMBLY INSTRUCTION

MODEL: #23914/ 18/ 19 CALIFORNIA KING BED


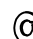
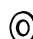

Thank you for purchasing this quality product. Be sure to check all packing material carefully for small parts which may have come loose inside the carton during shipment. Separate, identify and count all parts and metal hardware. Compare with parts list to be sure all parts are present. If any part(s) are missing or damaged, please contact your local furniture dealer. For efficient and speedy service, please indicate the model number and code letter of part(s) needed.

*** Do not fully tighten screws until fully assembled ***

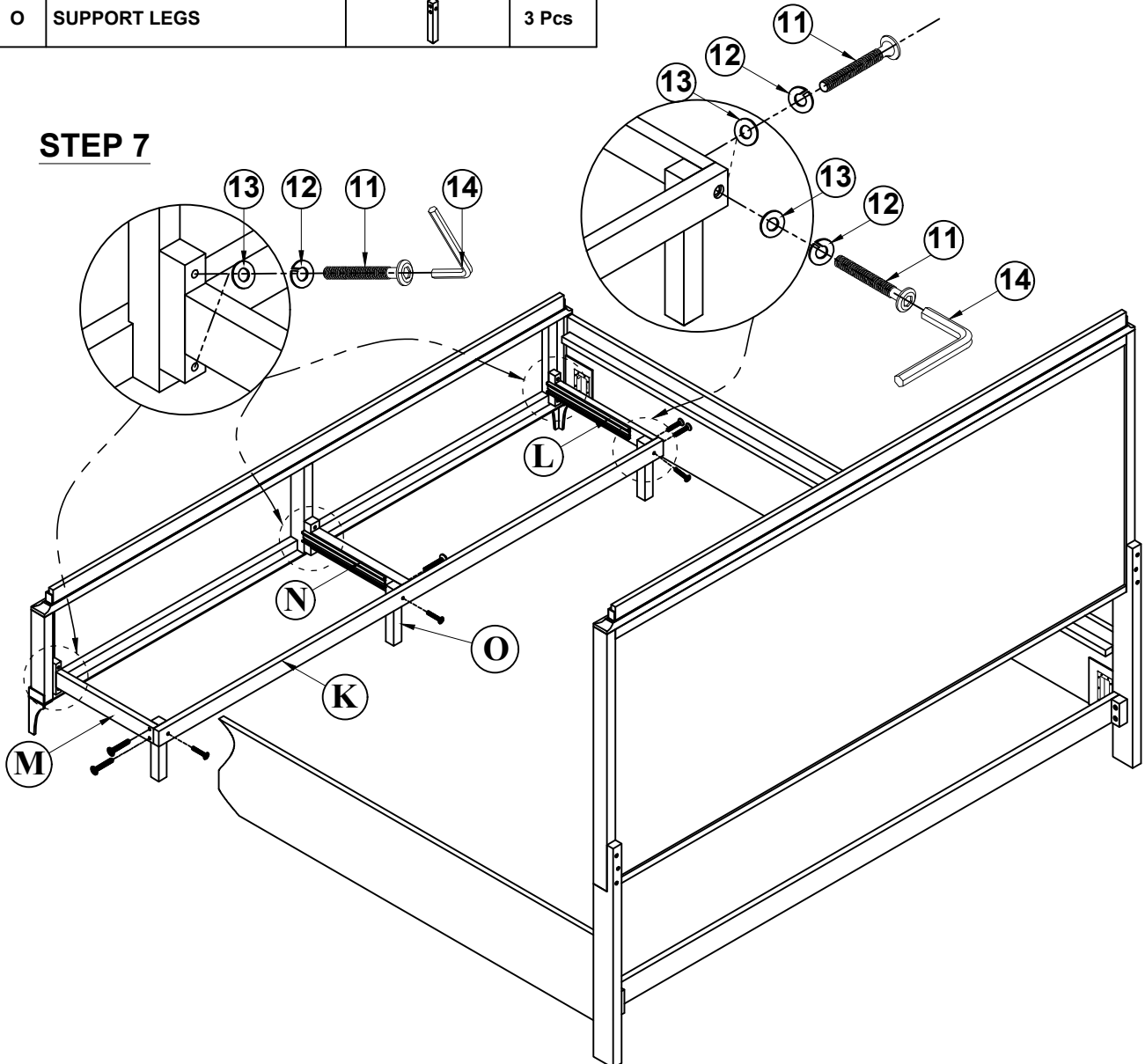
PARTS LIST

NO	DESCRIPTION	SKETCH	QTY
K	CROSSBAR		1 Pc
L	SIDE OF THE CROSSBAR (R)		1 Pc
M	SIDE OF THE CROSSBAR (L)		1 Pc
N	SIDE OF THE CROSSBAR (MID)		1 Pc
O	SUPPORT LEGS		3 Pcs

HARDWARE LIST

NO	DESCRIPTION	SKETCH	QTY
11	ALLEN BOLT (Ø1/4*45mm)		15Pcs
12	SPRING WASHER (Ø1/4*11*2mm)		15Pcs
13	FLAT WASHER (Ø1/4*19*2mm)		15Pcs
14	ALLEN KEY (M4)		1 Pc

STEP 7



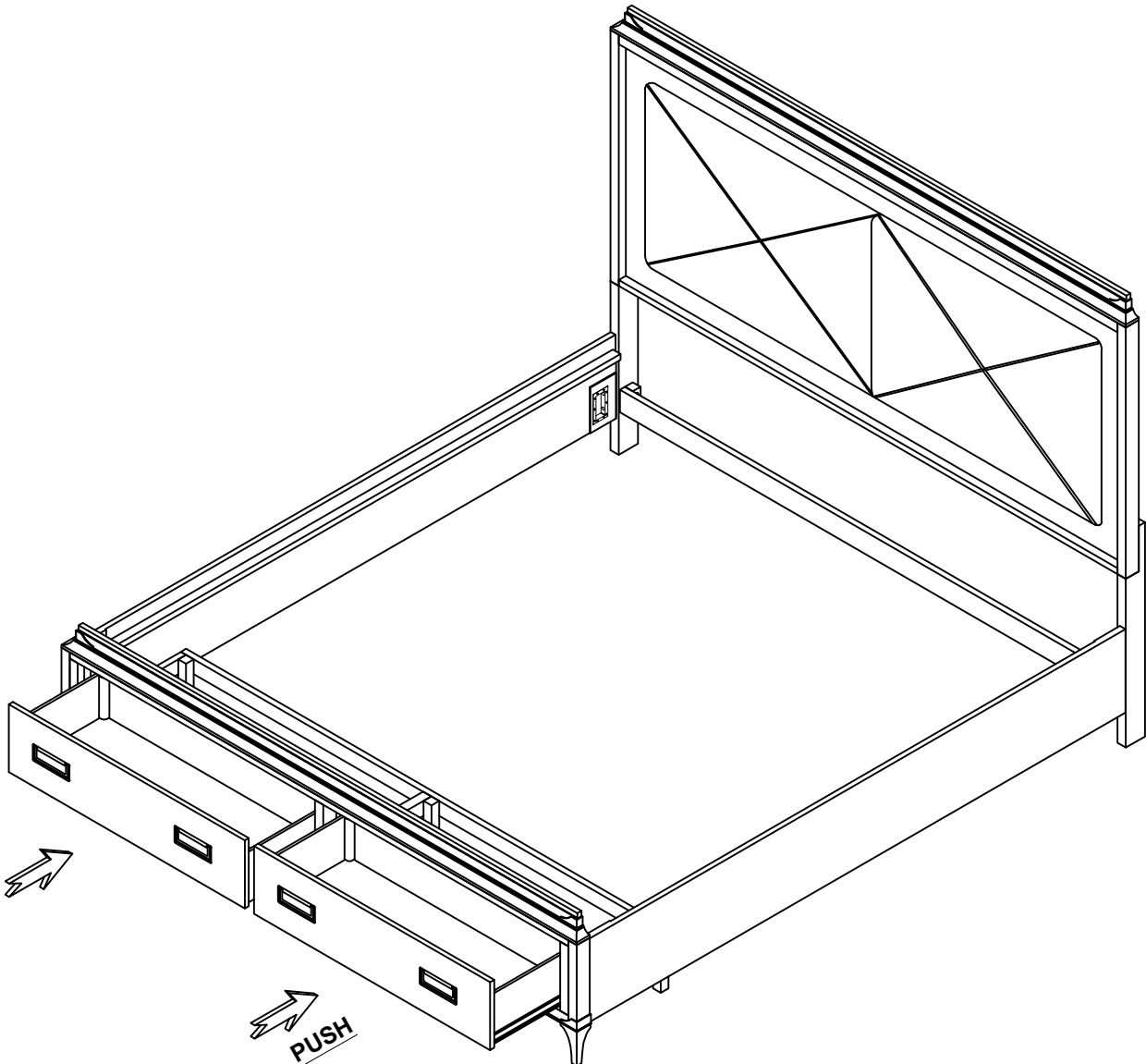
ASSEMBLY INSTRUCTION

MODEL: #23914/ 18/ 19 CALIFORNIA KING BED

Thank you for purchasing this quality product. Be sure to check all packing material carefully for small parts which may have come loose inside the carton during shipment. Separate, identify and count all parts and metal hardware. Compare with parts list to be sure all parts are present. If any part(s) are missing or damaged, please contact your local furniture dealer. For efficient and speedy service, please indicate the model number and code letter of part(s) needed.

*** Do not fully tighten screws until fully assembled ***

STEP 8



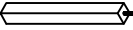







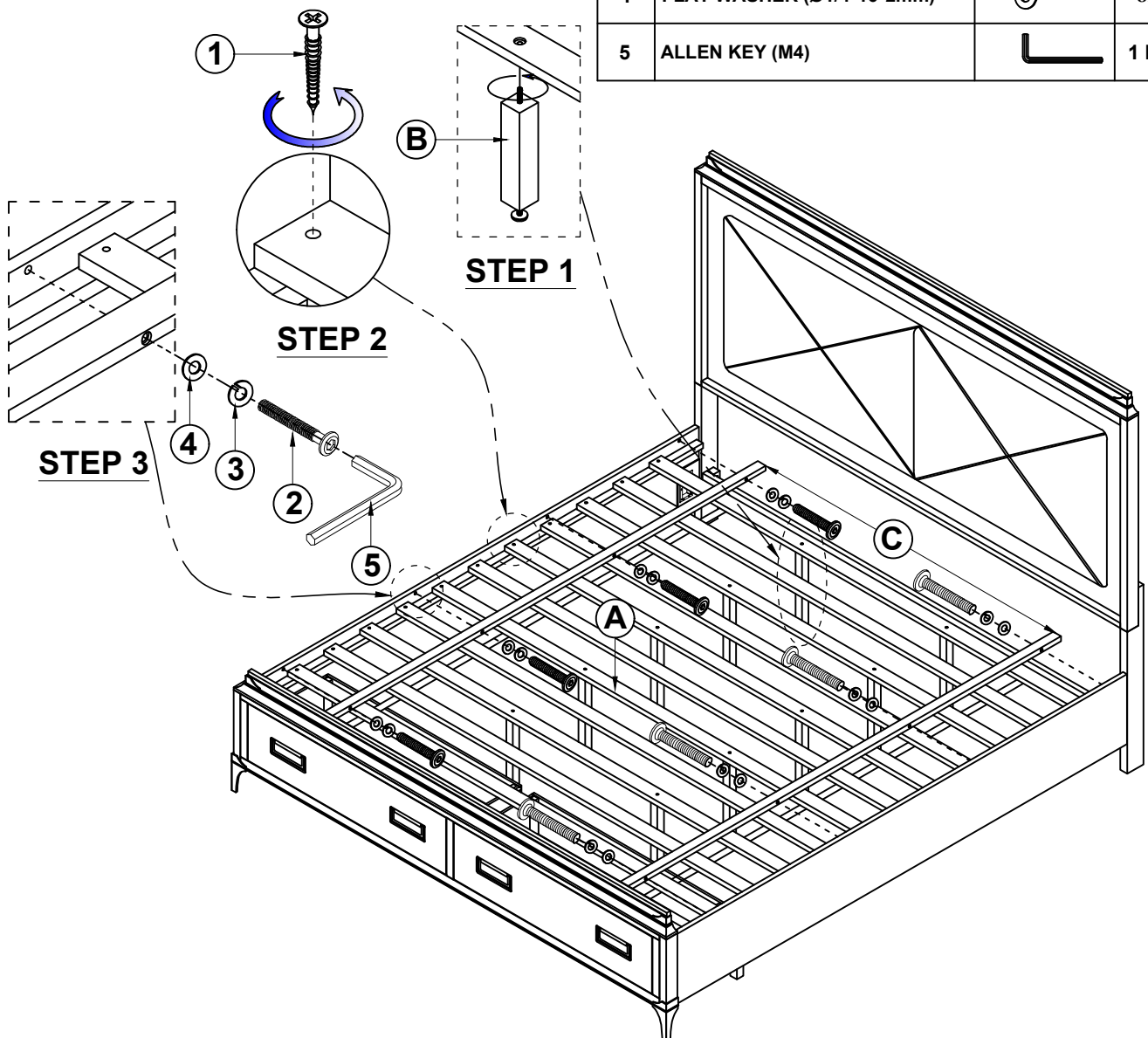
ASSEMBLY INSTRUCTION

MODEL: #23914/ 18/ 19 CALIFORNIA KING BED

Thank you for purchasing this quality product. Be sure to check all packing material carefully for small parts which may have come loose inside the carton during shipment. Separate, identify and count all parts and metal hardware. Compare with parts list to be sure all parts are present. If any part(s) are missing or damaged, please contact your local furniture dealer. For efficient and speedy service, please indicate the model number and code letter of part(s) needed.

*** Do not fully tighten screws until fully assembled ***

PARTS LIST				HARDWARE LIST			
NO	DESCRIPTION	SKETCH	QTY	NO	DESCRIPTION	SKETCH	QTY
A	SLATS		1 Set	1	SCREW (#8 * 35mm)		26 Pcs
B	SUPPORT LEGS		10 Pcs	2	ALLEN BOLT (Ø1/4 * 50mm)		8Pcs
C	CROSSBAR		2 Pcs	3	SPRING WASHER (Ø1/4*11*2mm)		8Pcs
				4	FLAT WASHER (Ø1/4*16*2mm)		8Pcs
				5	ALLEN KEY (M4)		1 Pc



Made in Vietnam