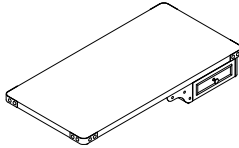
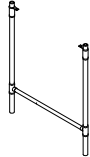
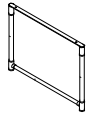
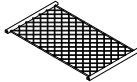
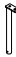
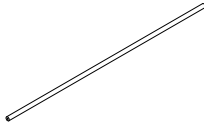




ASSEMBLY INSTRUCTION FOR ACME FURNITURE








MODEL# 92215 Desk

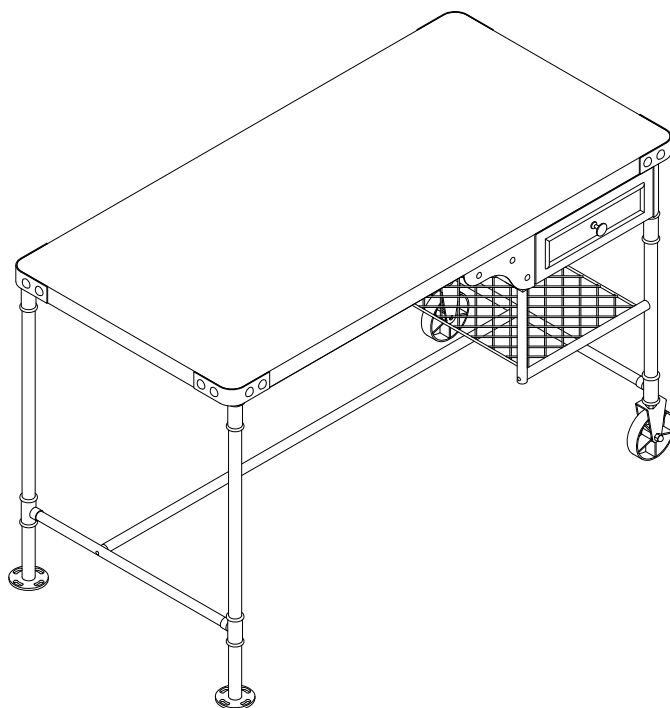
Thank you for purchasing this quality product. Be sure to check all packing materials carefully for small parts which may have come loose inside the carton during shipment. Separate, identify, and count all parts and metal hardware. Compare with parts list to be sure all parts are present. If any part(s) are missing or damaged, please contact your local furniture dealer. For efficient and speedy service, please indicate the model number and code letter of the part(s) needed.

***** Do not fully tighten screws until fully assembled *****

COMPONENT PARTS		
DECERPTION	PART NAME	Q'TY(PCS)
①	Top 	1pc
②	Left Frame 	1pc
③	Right Frame 	1pc
④	Mesh Shelf 	1pc
⑤	Vertical Support 	2pcs
⑥	Connect Tube 	1pc
⑦	Wheel 	2pcs
⑧	Floor Protector 	2pcs

HARDWARE REQUIRED:

(A)		Bolt 1/4"x1" - 2pcs
(B)		Bolt 1/4"x5/8" - 6pcs
(C)		Bolt 1/4"x1-5/8" - 4pcs
(D)		Floor Protector - 2pcs
(E)		Allen Wrench M4 - 1pc
(F)		Open End Wrench - 1pc
(G)		Bolt 1/4"x1-3/4" - 2pcs



Attention:

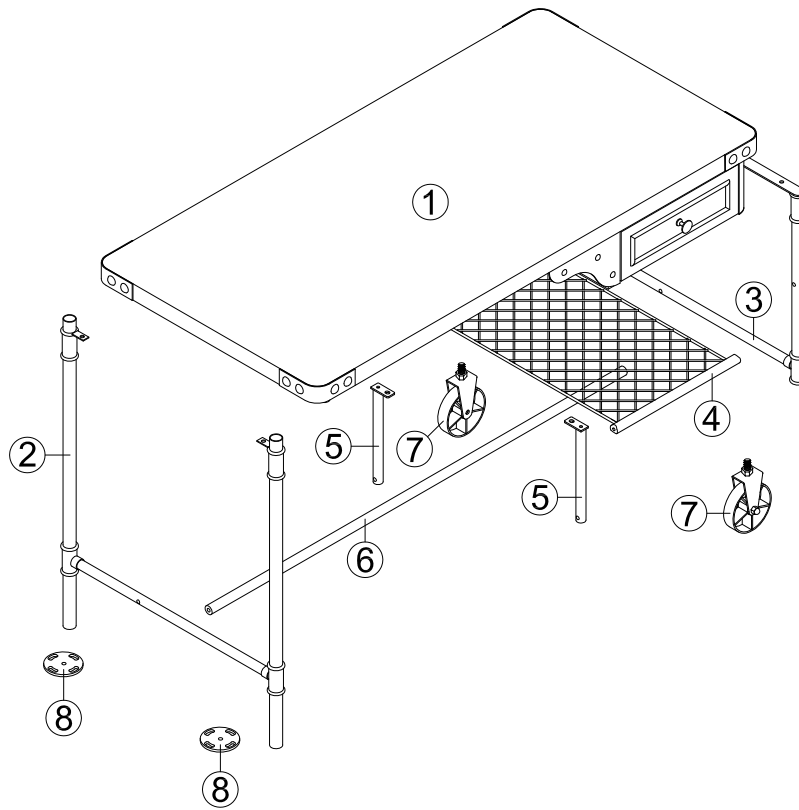
***Mattresses not included.

***Some number parts listed on the instruction sheet may not be in parts bag as they may already be assembled. Carefully check parts and packing materials prior to ordering replacements.

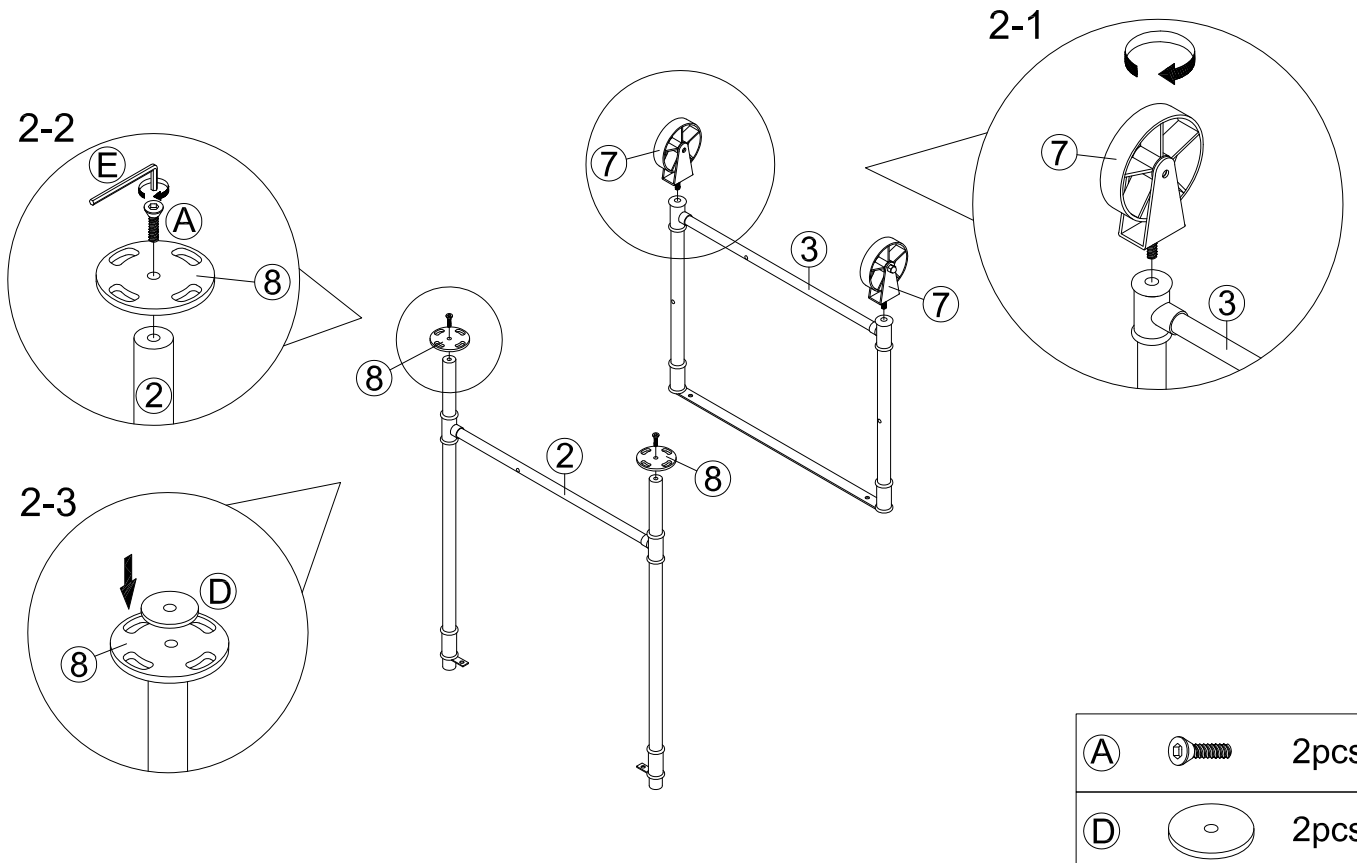
How to Assemble:

STEP 1.

Exploded View

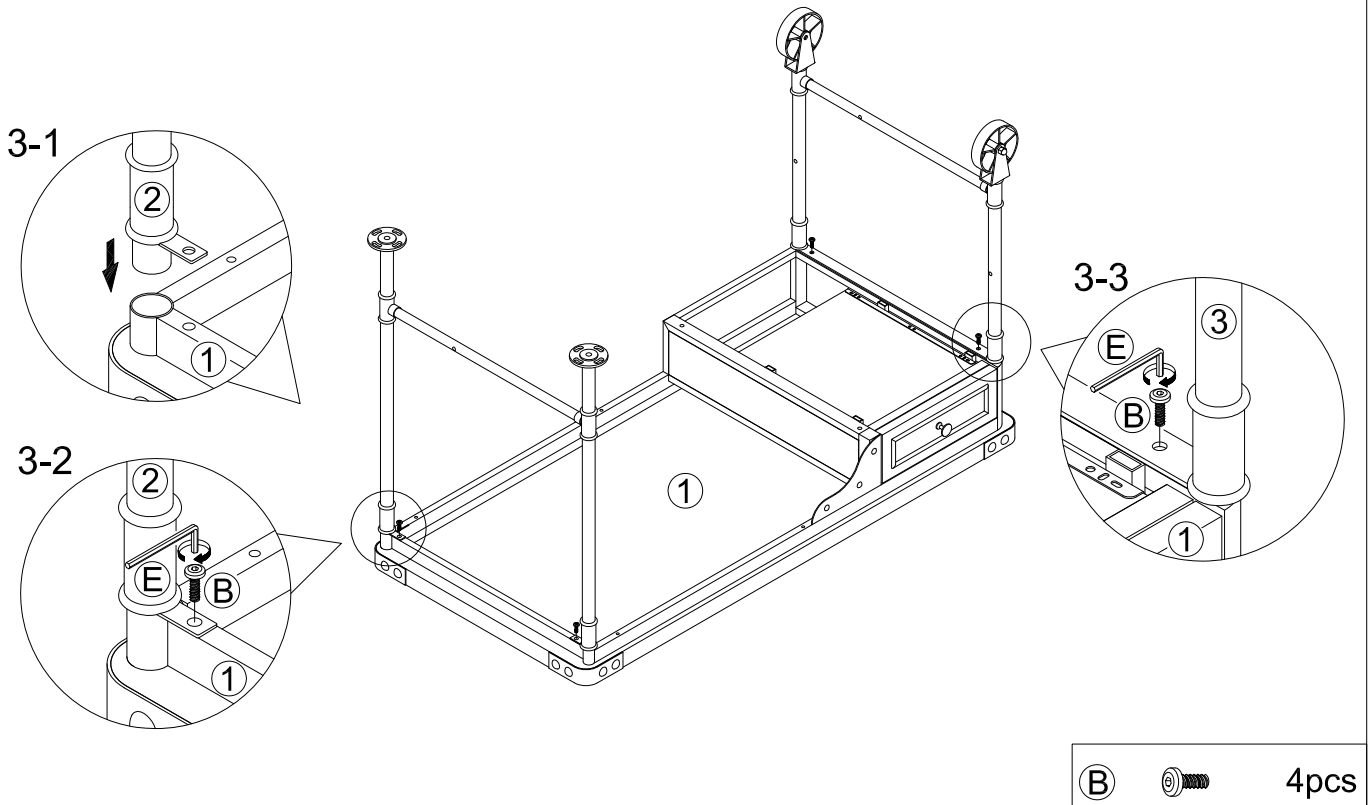


STEP 2.

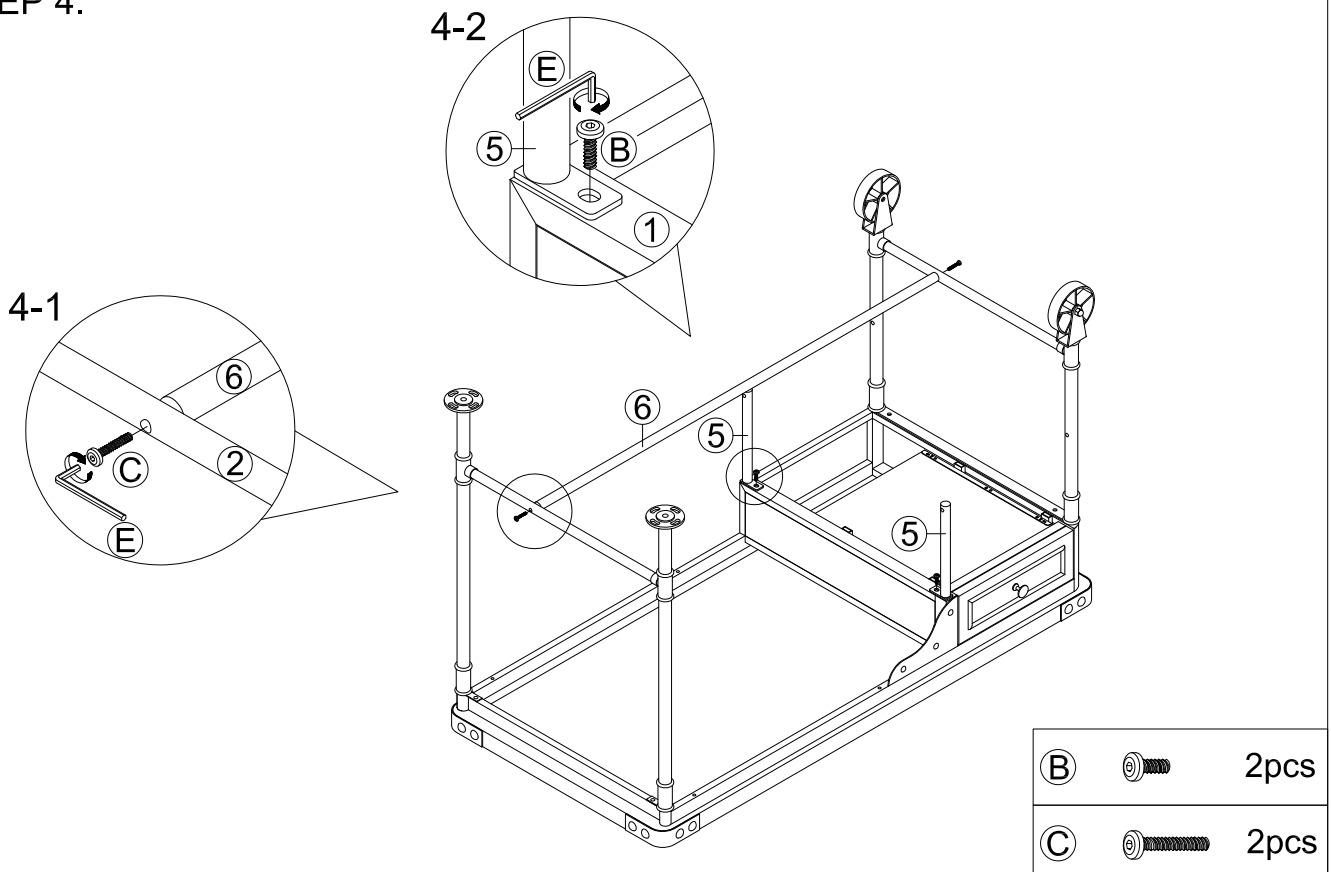


How to Assemble:

STEP 3.

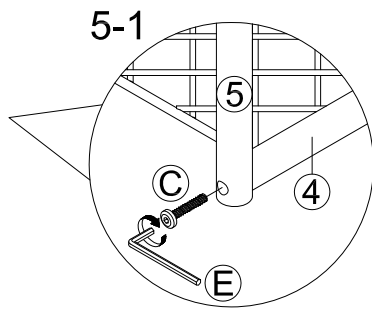
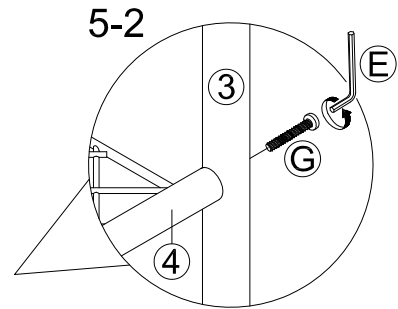
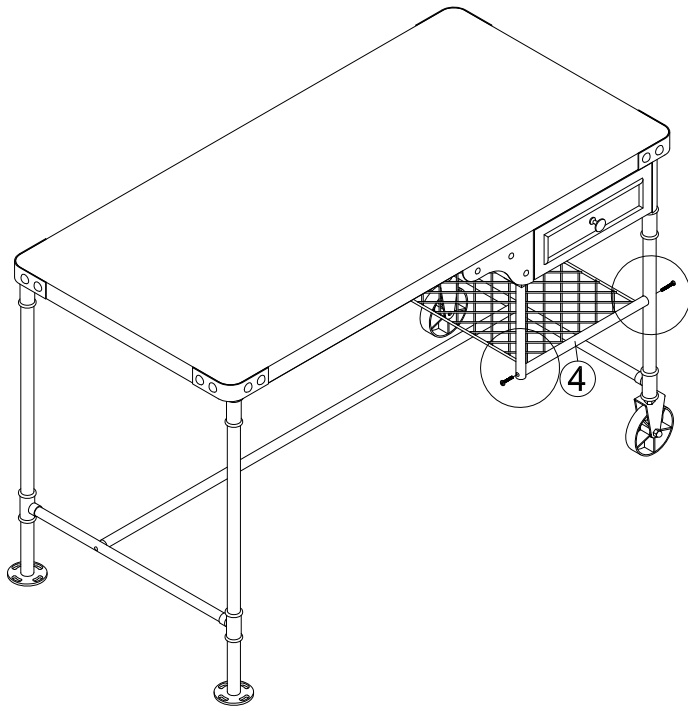




STEP 4.



How to Assemble:

STEP 5.



(C)		2pcs
(G)		2pcs

STEP 6.

