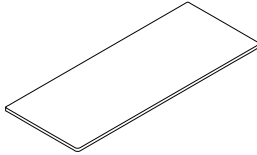
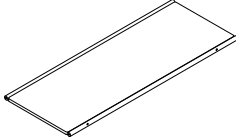
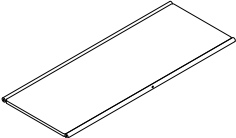
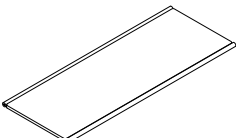
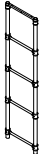
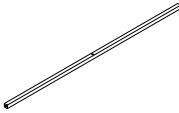
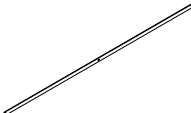



ASSEMBLY INSTRUCTION FOR ACME FURNITURE

MODEL# 92200 Big Shelf

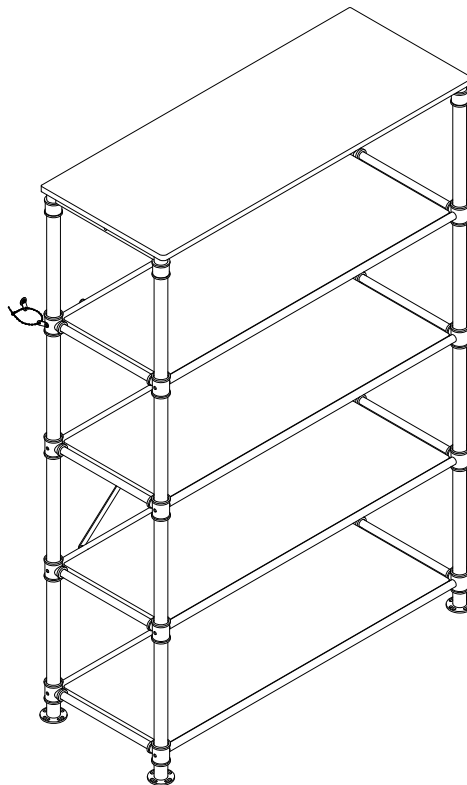
Thank you for purchasing this quality product. Be sure to check all packing materials carefully for small parts which may have come loose inside the carton during shipment. Separate, identify, and count all parts and metal hardware. Compare with parts list to be sure all parts are present. If any part(s) are missing or damaged, please contact your local furniture dealer. For efficient and speedy service, please indicate the model number and code letter of the part(s) needed.

***** Do not fully tighten screws until fully assembled *****

COMPONENT PARTS		
DECERPTION	PART NAME	Q'TY(PCS)
①	Top Wood 	1pc
②	Upper or Lower Shelf 	2pcs
③	Middle Shelf 	1pc
④	Bottom Shelf 	1pc
⑤	Side Frame 	2pcs
⑥	Top Support Tube 	1pc
⑦	Back Strengthen Plate 	2pcs
⑧	Adjust Foot 	4pcs

HARDWARE REQUIRED:

(A)		Bolt 1/4"x3" - 16pcs
(B)		Bolt 1/4"x1-3/8" - 7pcs
(C)		Bolt 1/4"x5/8" - 5pcs
(D)		Washer Ø20xØ6x1.5 - 5pcs
(E)		Floor Protector - 4pcs
(F)		Allen Wrench M4 - 1pc
(G)		Screw M4x37 - 1pc
(H)		Metal Plate - 2pcs
(I)		Bracket - 1pc
(J)		Girding - 1pc



Attention:

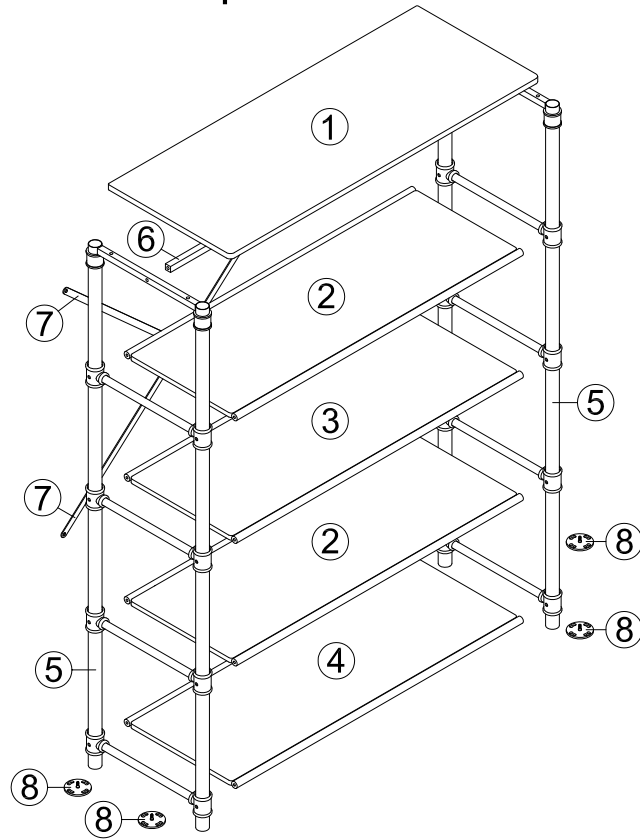
***Mattresses not included.

***Some number parts listed on the instruction sheet may not be in parts bag as they may already be assemble.
Carefully check parts and packing materials prior to ordering replacements.

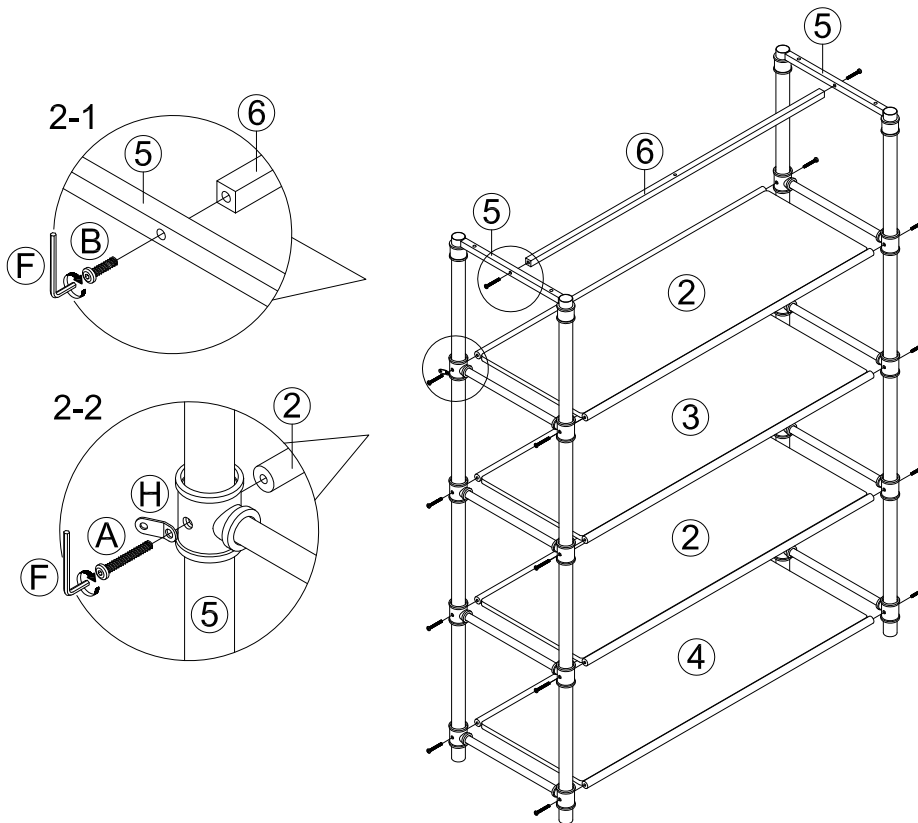
How to Assemble:

STEP 1.

Exploded View



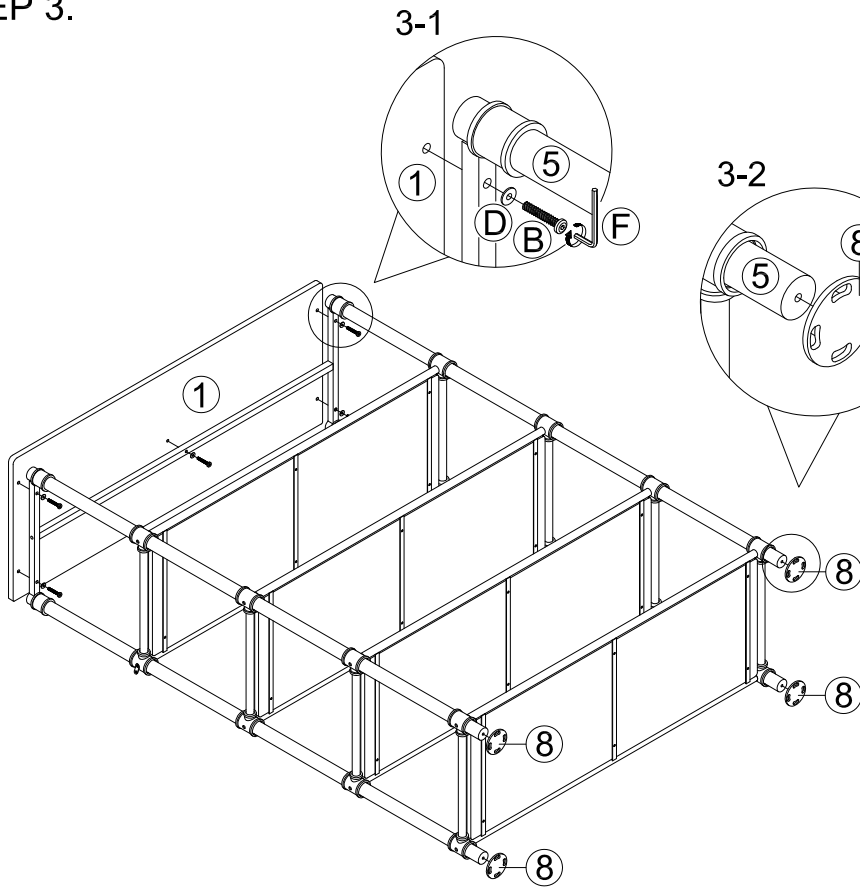
STEP 2.






(A)		16pcs
(B)		2pcs
(H)		1pc

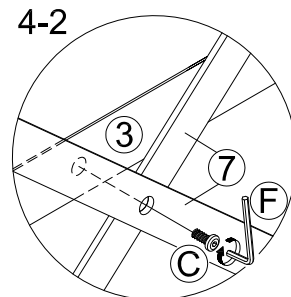
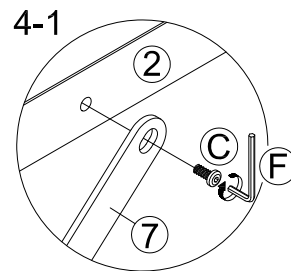
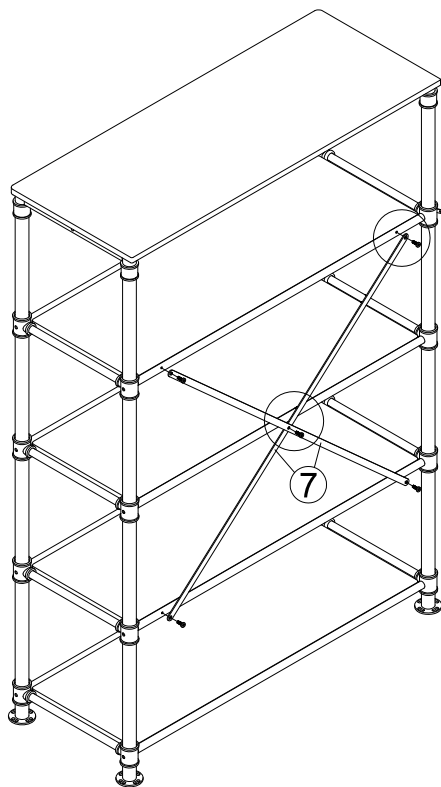
How to Assemble:

STEP 3.



B		5pcs
D		5pcs
E		4pcs

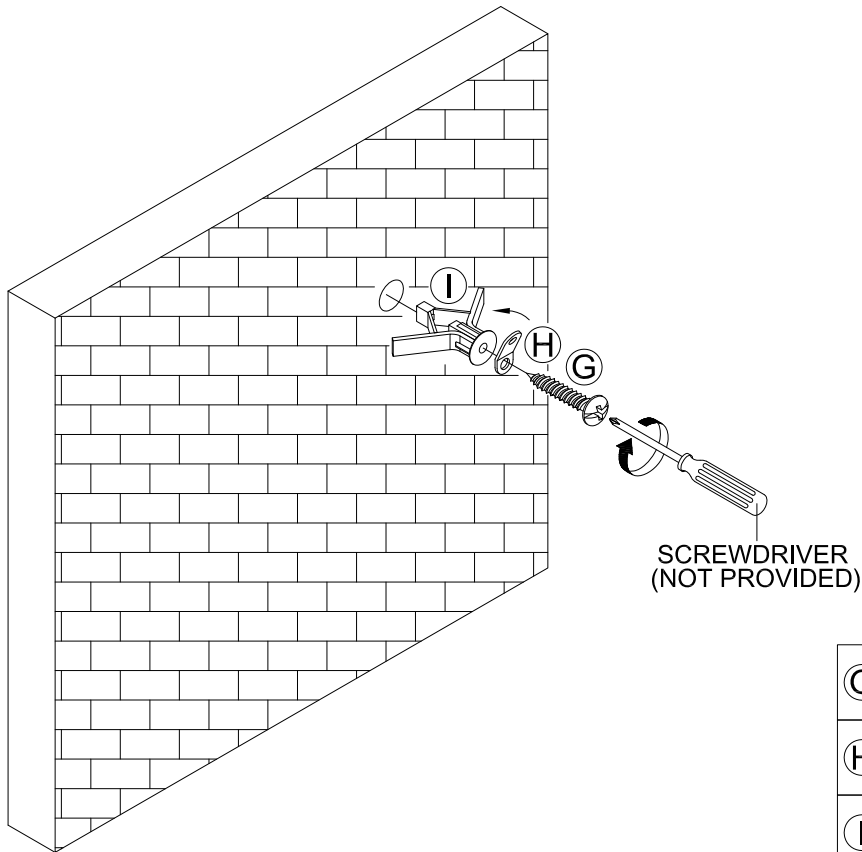
STEP 4.



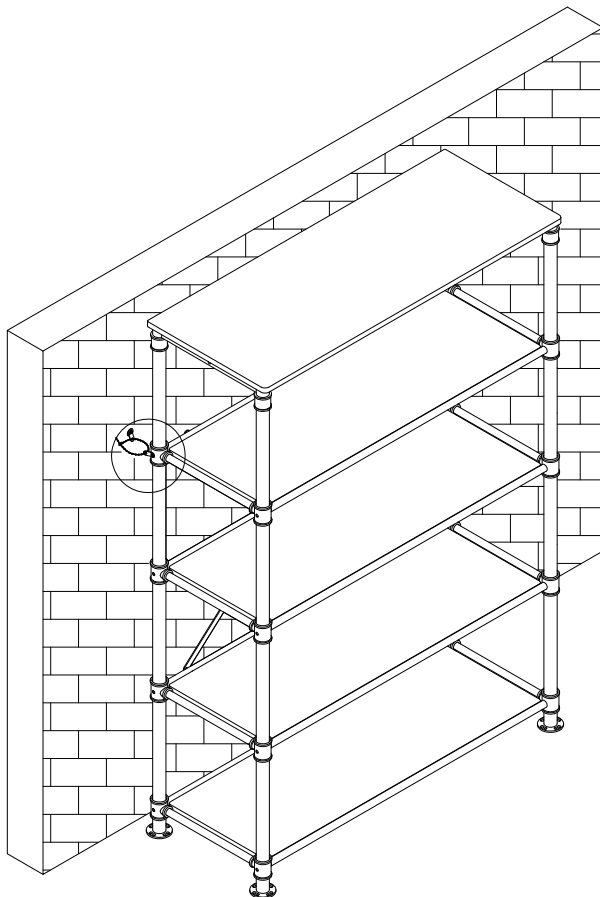
C		5pcs
----------	---	------

How to Assemble:

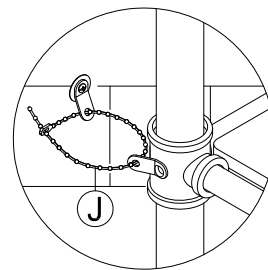
STEP 5.




STEP 6.



To Prevent Tip over
Product Must Be
Attached To Wall



J		1pc
---	---	-----