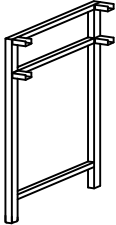
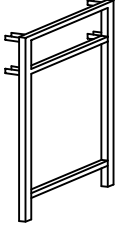


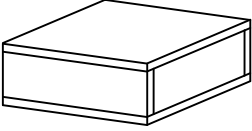





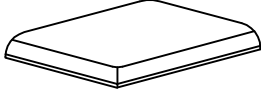



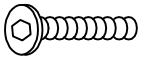



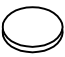


**ITEM NO. 90310**



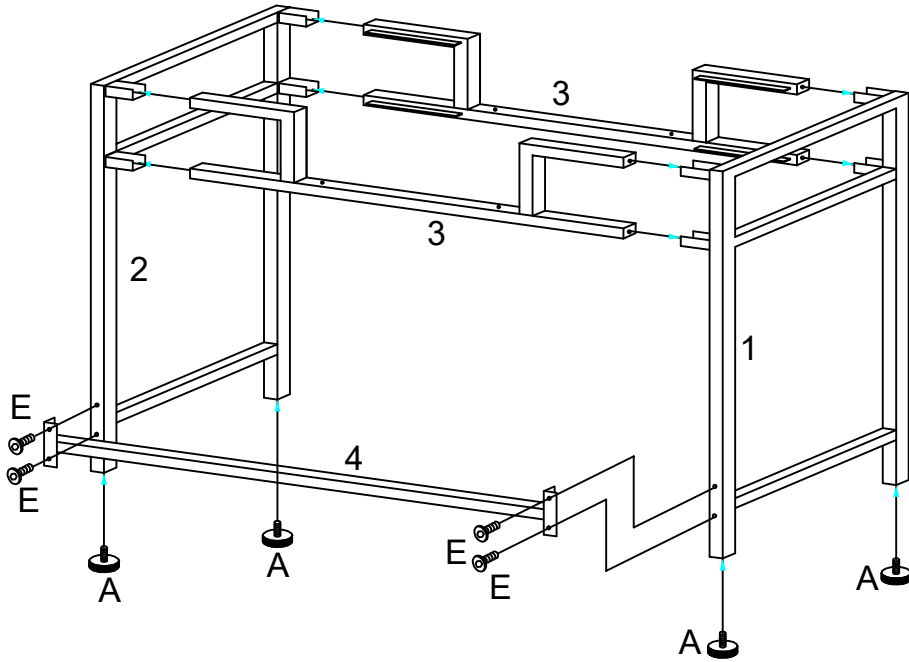
**VANITY SET**

**ASSEMBLY INSTRUCTION**

<p>1</p>  <p>LEFT SIDE PANEL 1PC</p>	<p>2</p>  <p>RIGHT SIDE PANEL 1PC</p>	<p>3</p>  <p>TOP SUPPORT 2PCS</p>	<p>4</p>  <p>BOTTOM STRETCHER 1PC</p>
<p>5</p>  <p>TABLE TOP 1PC</p>	<p>6</p>  <p>GLASS TOP 2PCS</p>	<p>7</p>  <p>MIRROR 2PCS</p>	<p>8</p>  <p>CHAIR SIDE PANEL 2PCS</p>
<p>9</p>  <p>CHAIR TOP STRETCHERS 2PCS</p>	<p>10</p>  <p>CHAIR STRETCHERS 2PCS</p>	<p>11</p>  <p>CHAIR CUSHION 1PC</p>	

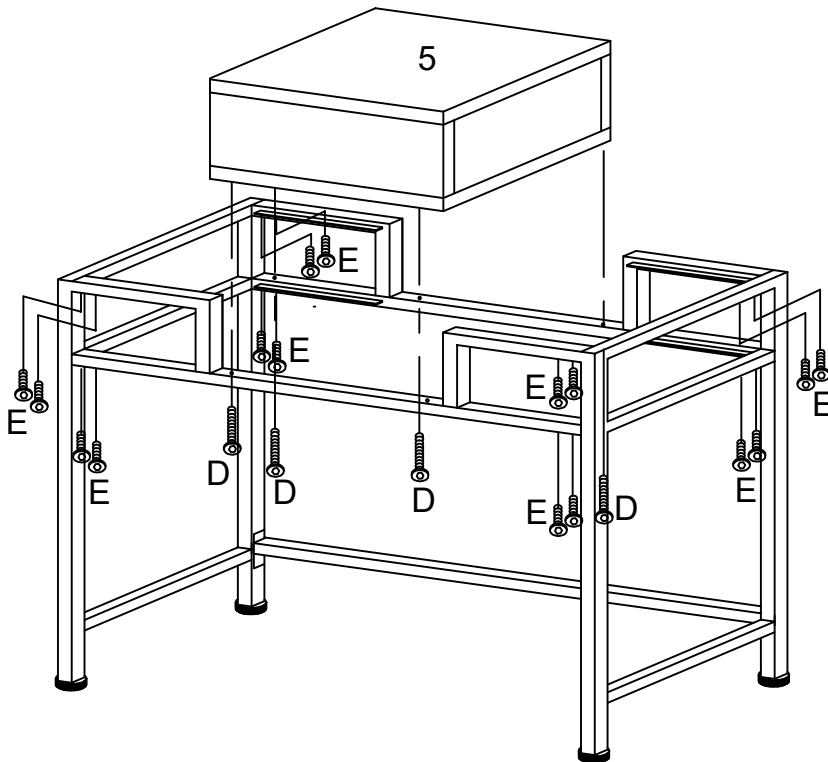
<p>A</p>  <p>LEVELER 4PCS</p>	<p>B</p>  <p>BOLT 1/4"x50mm 8PCS</p>	<p>C</p>  <p>BOLT 1/4"x38mm 4PCS</p>	<p>D</p>  <p>BOLT 1/4"x32mm 4PCS</p>
<p>E</p>  <p>BOLT 1/4"x12mm 20PCS</p>	<p>F</p>  <p>GLASS TIP 16PCS</p>	<p>G</p>  <p>CAP 8PCS</p>	<p>H</p>  <p>ALLEN KEY 1PC</p>

# STEP 1



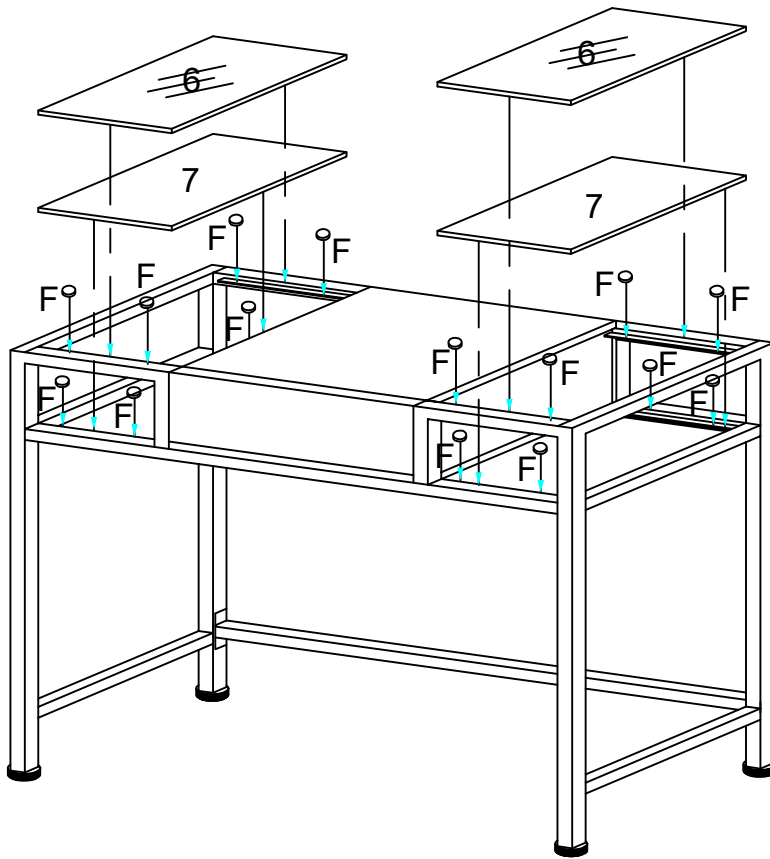
Put the top supports (3) on the plug of left side panel (1) and right side panel (2). Then, attach bottom stretcher (4) to side panels using bolt (E), and screw levelers (A) to the bottom of side panels as shown.

# STEP 2



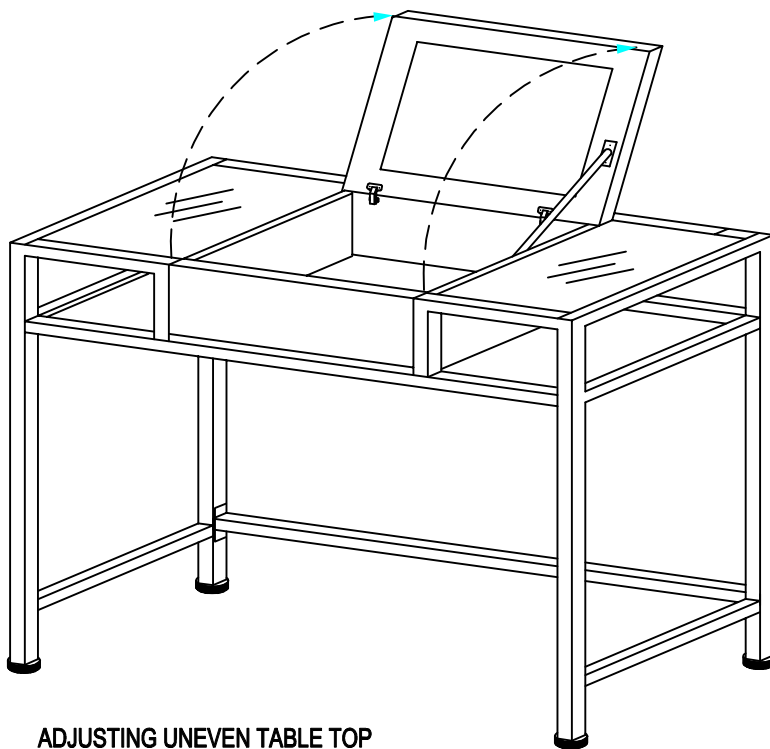
Using bolt (E) to attach top stretchers (3) to side panels together. Then, attach table top (5) to assembled metal base using bolt (D) as shown.

## STEP 3

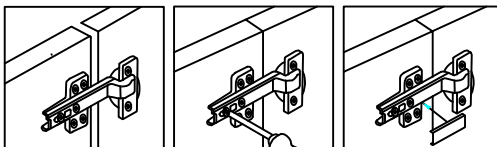


Put glass tips (F) on top stretchers, then put the mirror (7) on the bottom, and put the glass top (6) on the top as shown.

## STEP 4



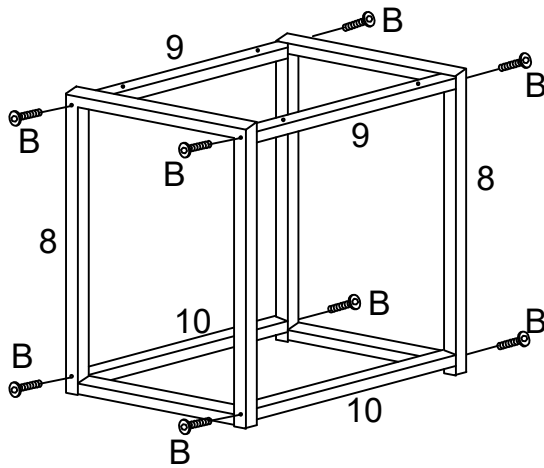
ADJUSTING UNEVEN TABLE TOP



SET SCREW

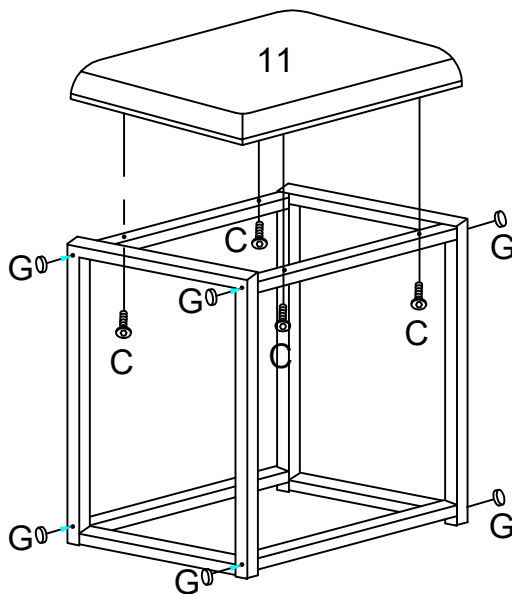
TIGHTEN SCREW

## STEP 5



Attach chair top stretcher (9) and chair stretcher (10) to chair side panel (8) using bolt (B) as shown.

## STEP 6



Attach chair cushion (11) to the assembled metal base using bolt (C). Then, cover the bolts which are on the assembled metal base using caps (G) as shown.