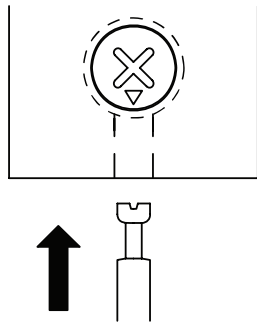
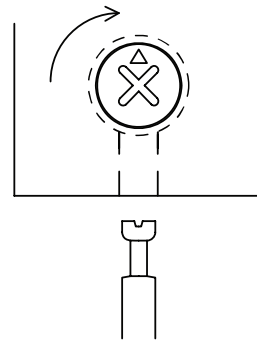


CAM LOCK SYSTEM

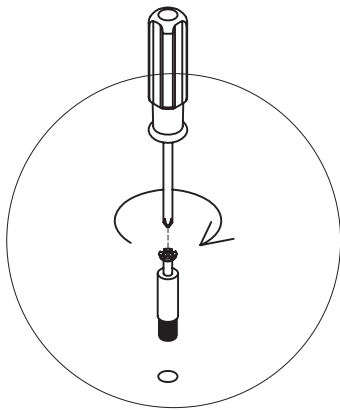
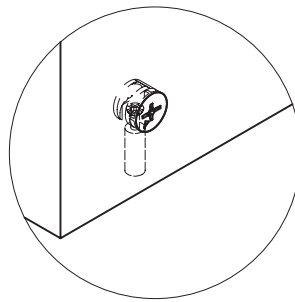
(1)



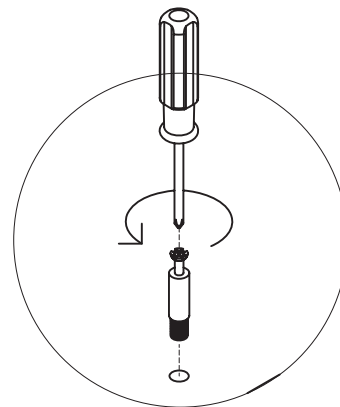
(2)



IMPORTANT NOTE--CAM LOCK ADJUSTMENT

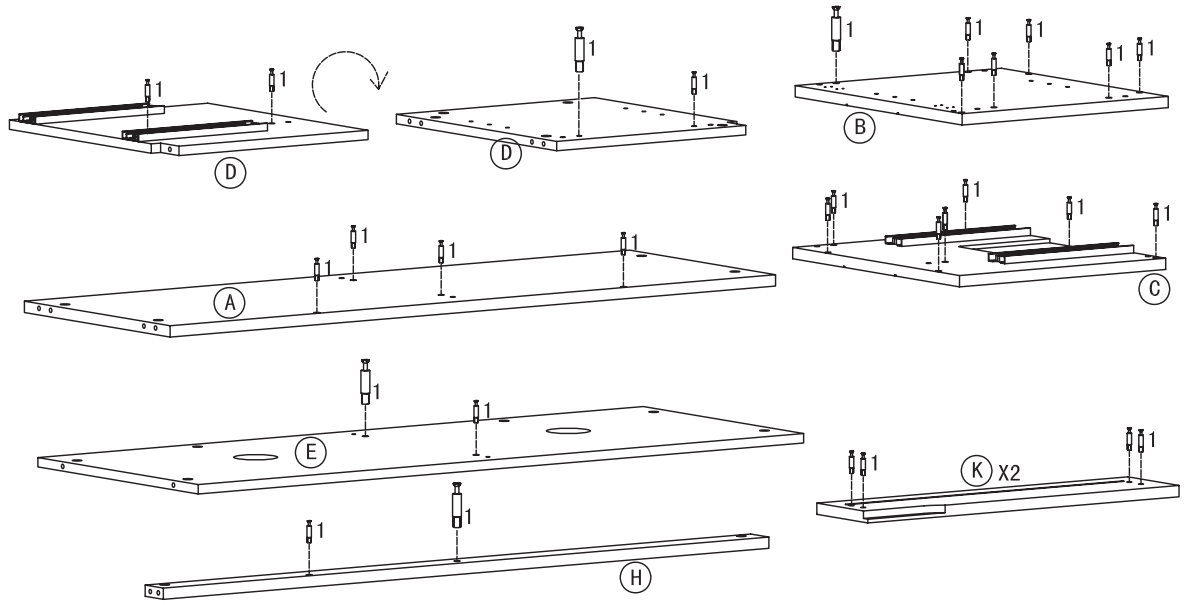


If Cam Lock
is too loose,
Please adjust Metal
Dowel to turn right
as drawing.

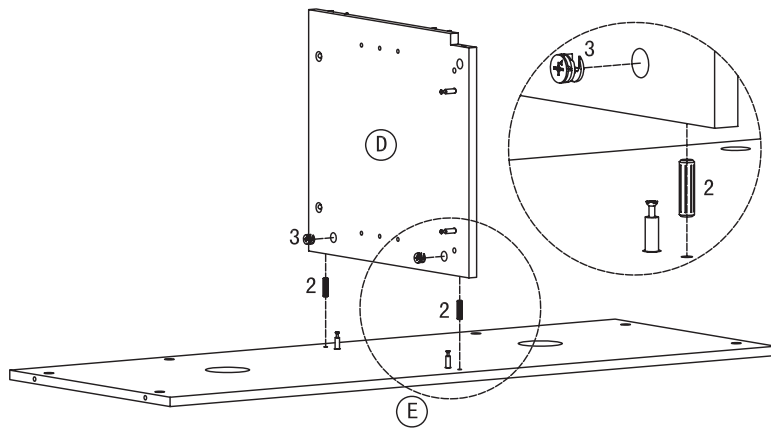


If Cam Lock
is too tight,
Please adjust Metal
Dowel to turn left
as drawing.

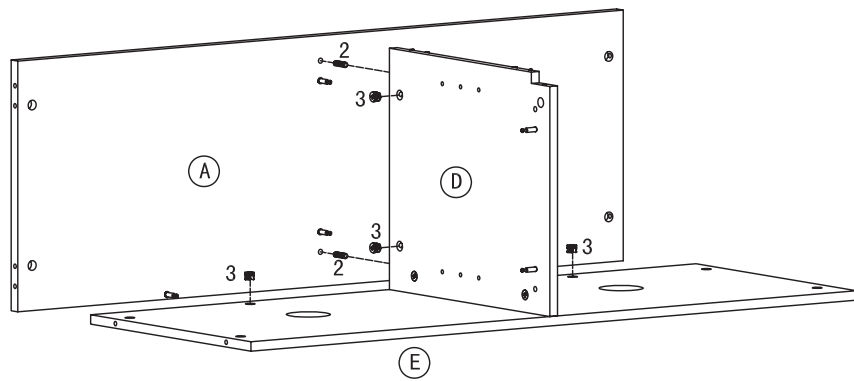
Step 1



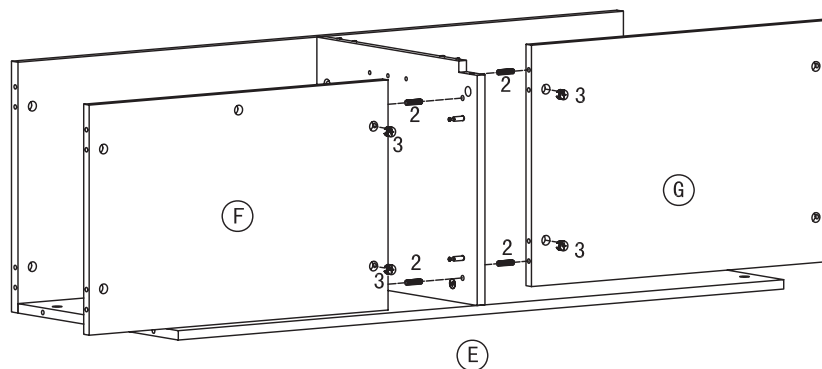
Step 2



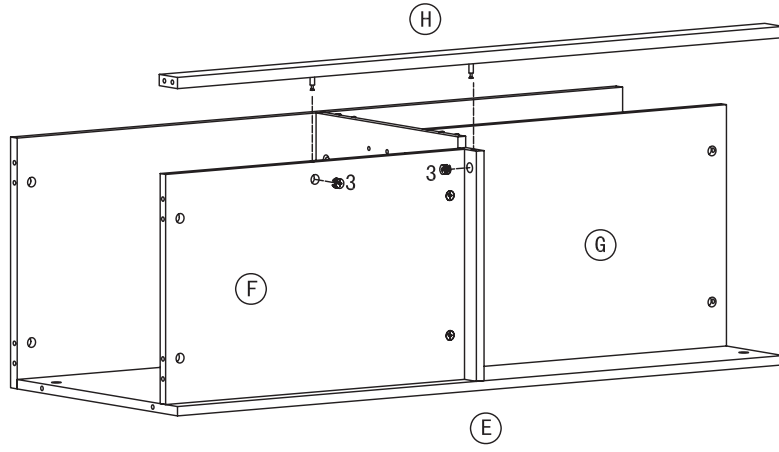
Step 3



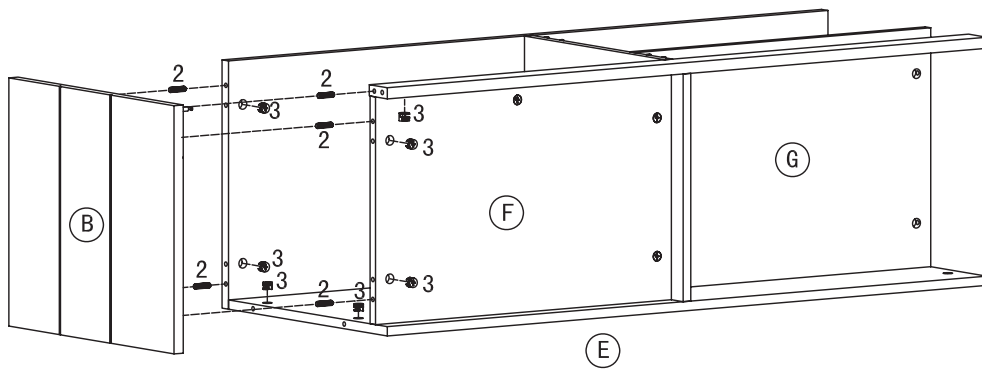
Step 4



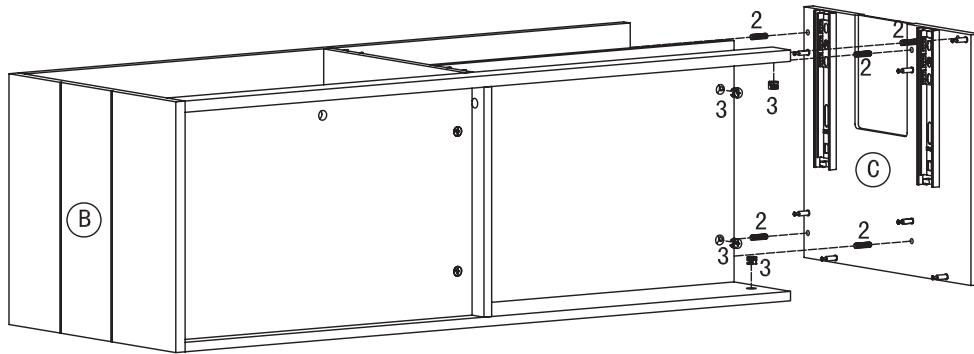
Step 5



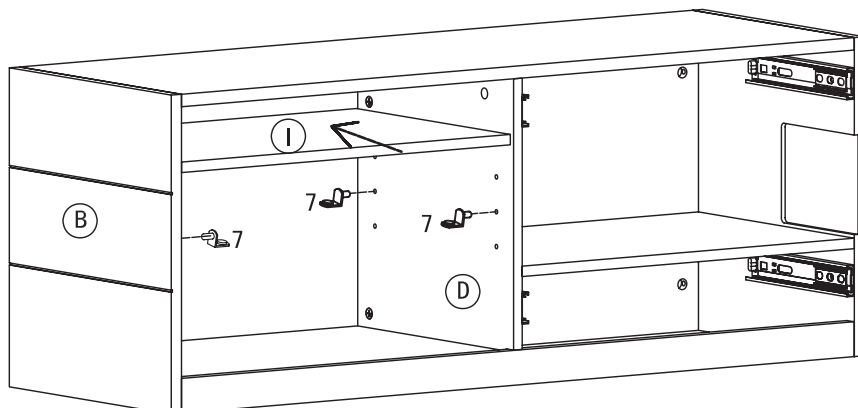
Step 6



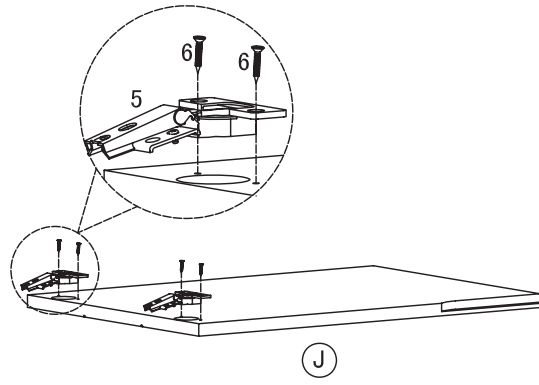
Step 7



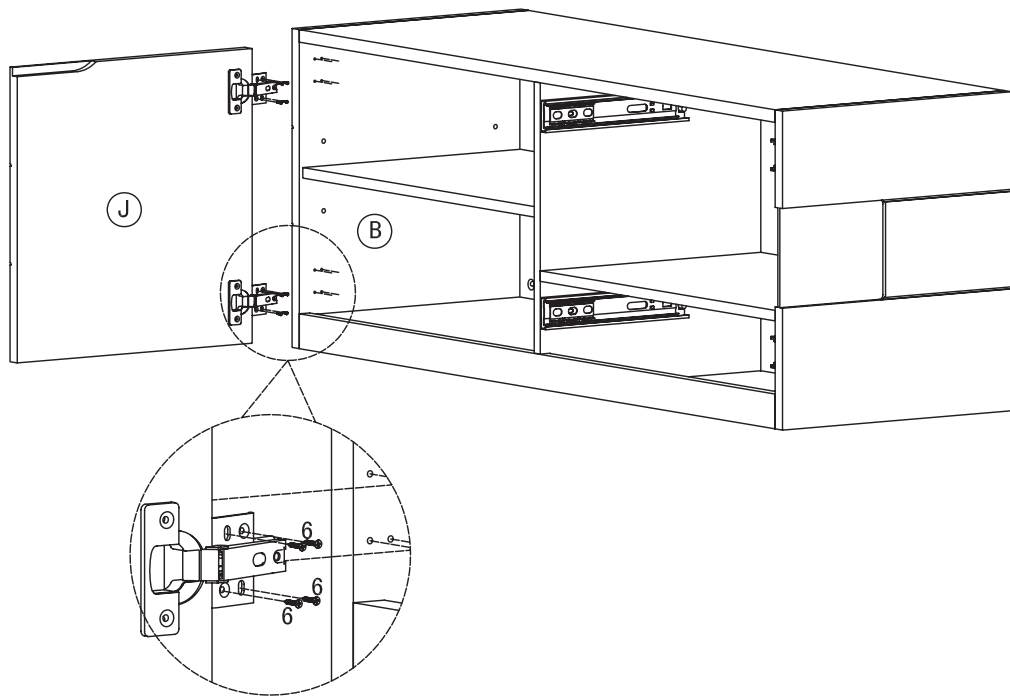
Step 8



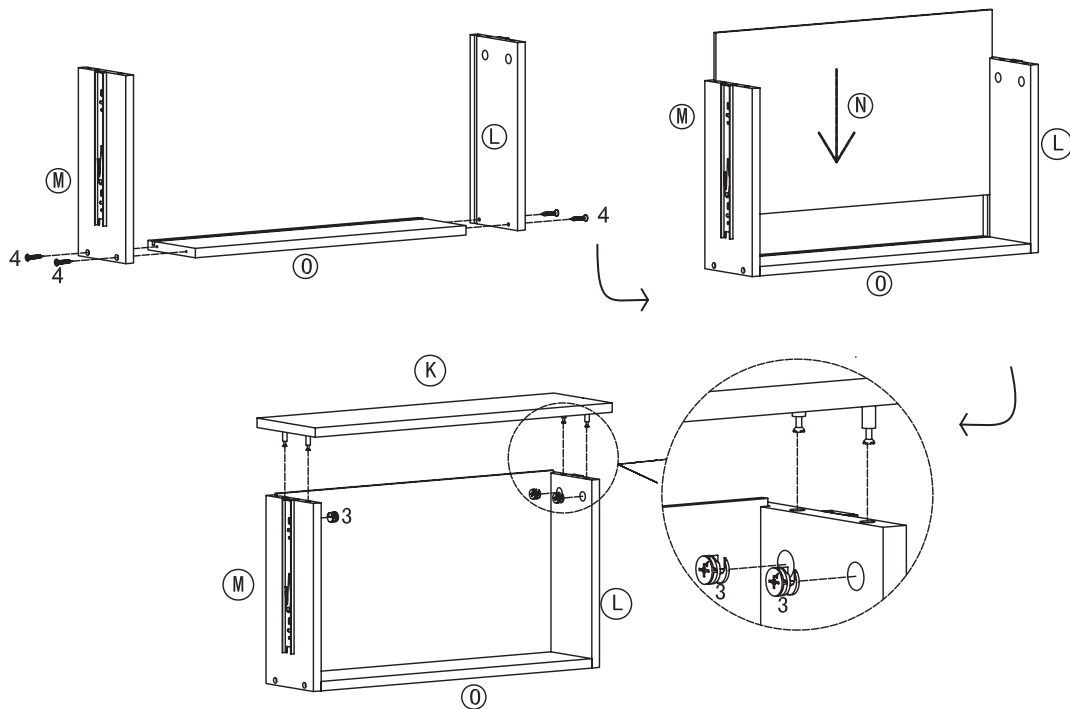
Step 9



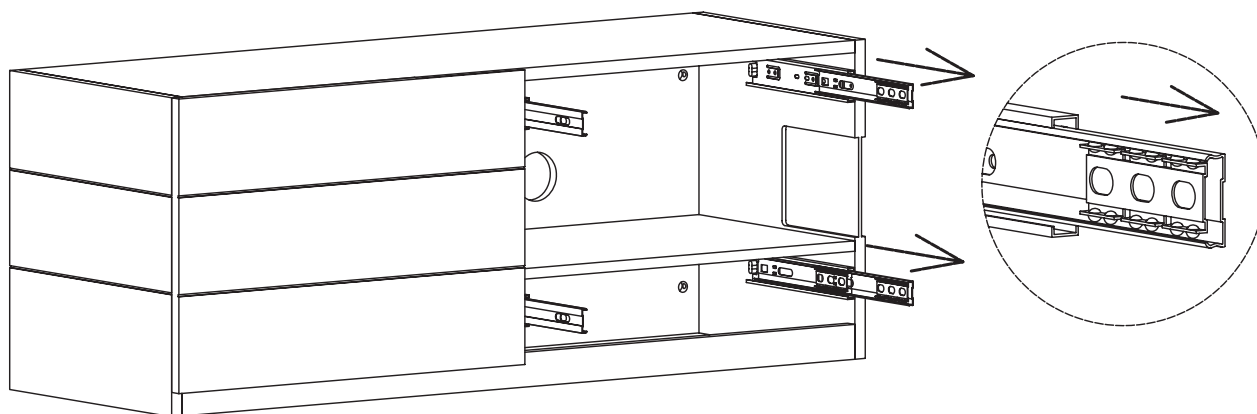
Step 10



Step 11 x 2

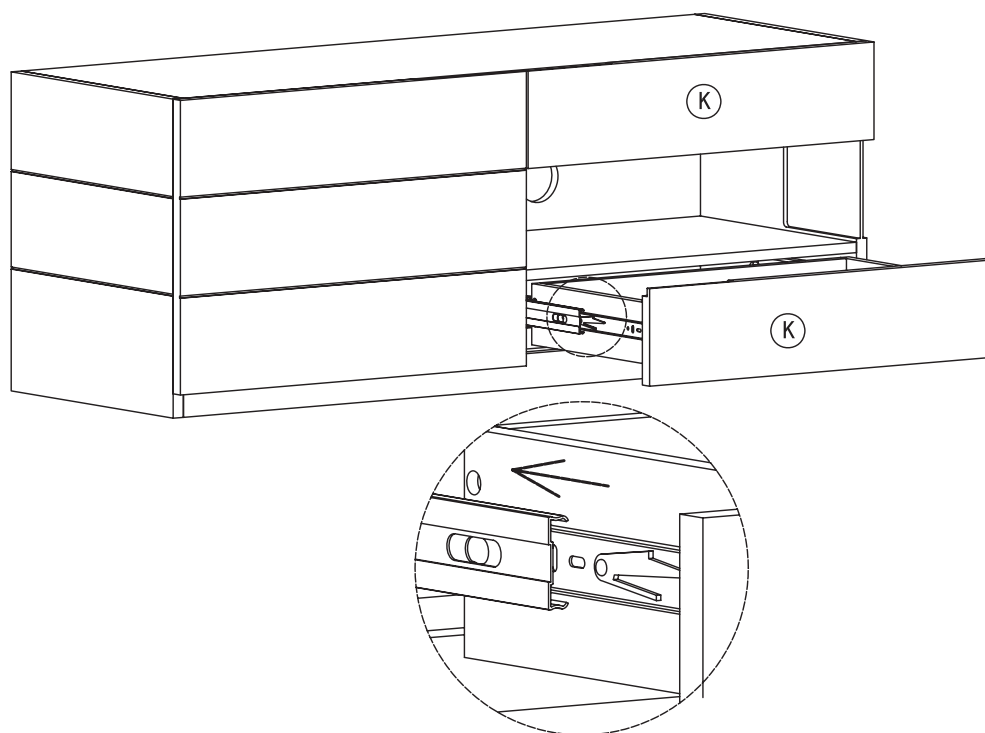


Step 12



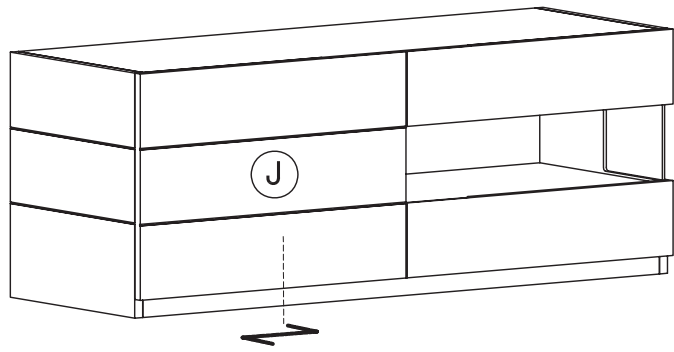
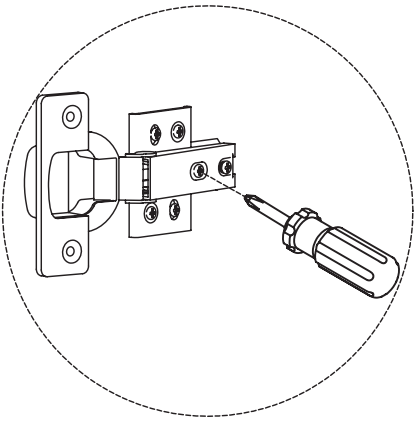
Slide out the side panel drawer glides for proper insertion of the drawers.

Step 13

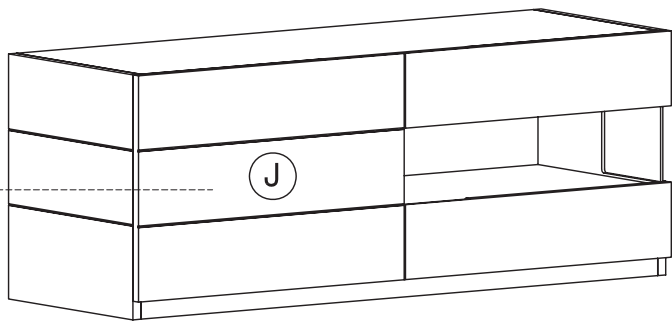
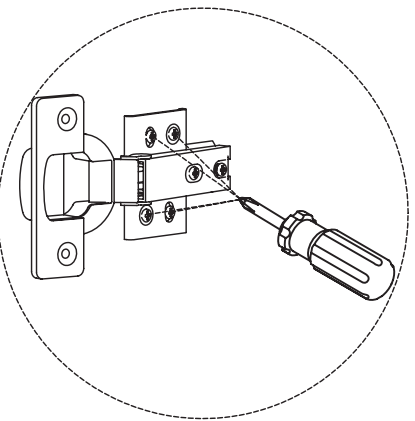


Line up the drawer glides on the drawers on both sides so that they enter evenly into the extended receiving side panel drawer glides as shown then gently push in the drawer until the drawer is secure and slides in and out smoothly.

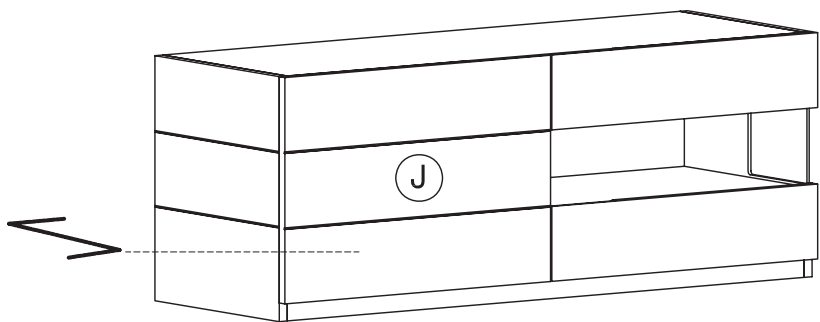
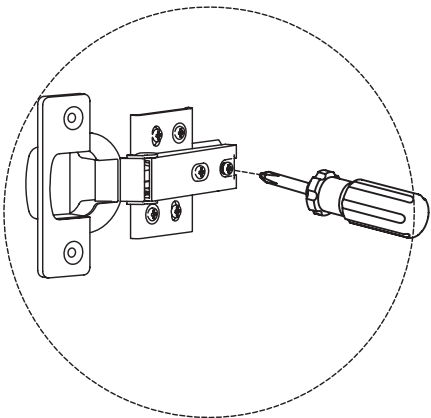
Step 14



To move door left or right, loosen screw as shown and move door to suit.
Re-tighten screw.



To move door up or down, loosen screws as shown and move door to suit.
Re-tighten screws.



To move door in or out, loosen screw as shown and move door to suit.
Re-tighten screw.