

ASSEMBLY INSTRUCTION FOR ACME FURNITURE


MODEL #84621 NIGHT STAND

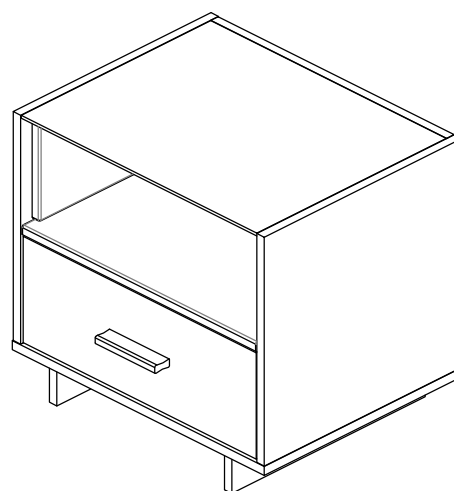
Thank you for purchasing this quality product. Be sure to check all packing material carefully for small parts which may have come loose inside the carton during shipment. Separate, identify and count all parts and metal hardware. Compare with parts list to be sure all parts are present. If any part(s) are missing or damaged, please contact your local furniture dealer. For efficient and speedy service, please indicate the model number and code letter of part(s) needed.

*****Do not fully tighten screws until fully assembled*****

COMPONENT PARTS		
DESCRIPTION	PART NAME	Q' TY(PCS)
Ⓐ	Glass	1
Ⓑ	Left Side Panel	1
Ⓒ	Right Side Panel	1
Ⓓ	Bottom Panel	1
Ⓔ	Back Panel	1
Ⓕ	Fix Shelf Panel	1
Ⓖ	Drawer Panel	1
Ⓗ	Drawer Front Panel	1
Ⓘ	Drawer Back Panel	1
Ⓙ	Drawer Left Side Panel	1
Ⓚ	Drawer Right Side Panel	1
Ⓛ	Drawer Bottom Panel	1
Ⓜ	Small Right/Left Side Panel Side Panel	2
Ⓝ	Foot Panel	2
Ⓞ	Lower Rail	1

HARDWARES REQUIRED

- ①  Minifix 7*20.5(10)mm - 8 PCS
- ②  Cam 15*12mm - 8 PCS
- ③  Wood Dowel 6*25mm - 4 PCS
- ④  Wood Dowel 6*20mm - 12 PCS
- ⑤  Screw 4.2*38mm - 16 PCS
- ⑥  Screw 4.2*32mm - 8 PCS
- ⑦  Screw 4*25mm - 2 PCS
- ⑧  Screw 4*20mm - 2 PCS
- ⑨  Screw 4*12mm - 2 PCS
- ⑩  Handle - 1 PC
- ⑪  Glue - 1 PC

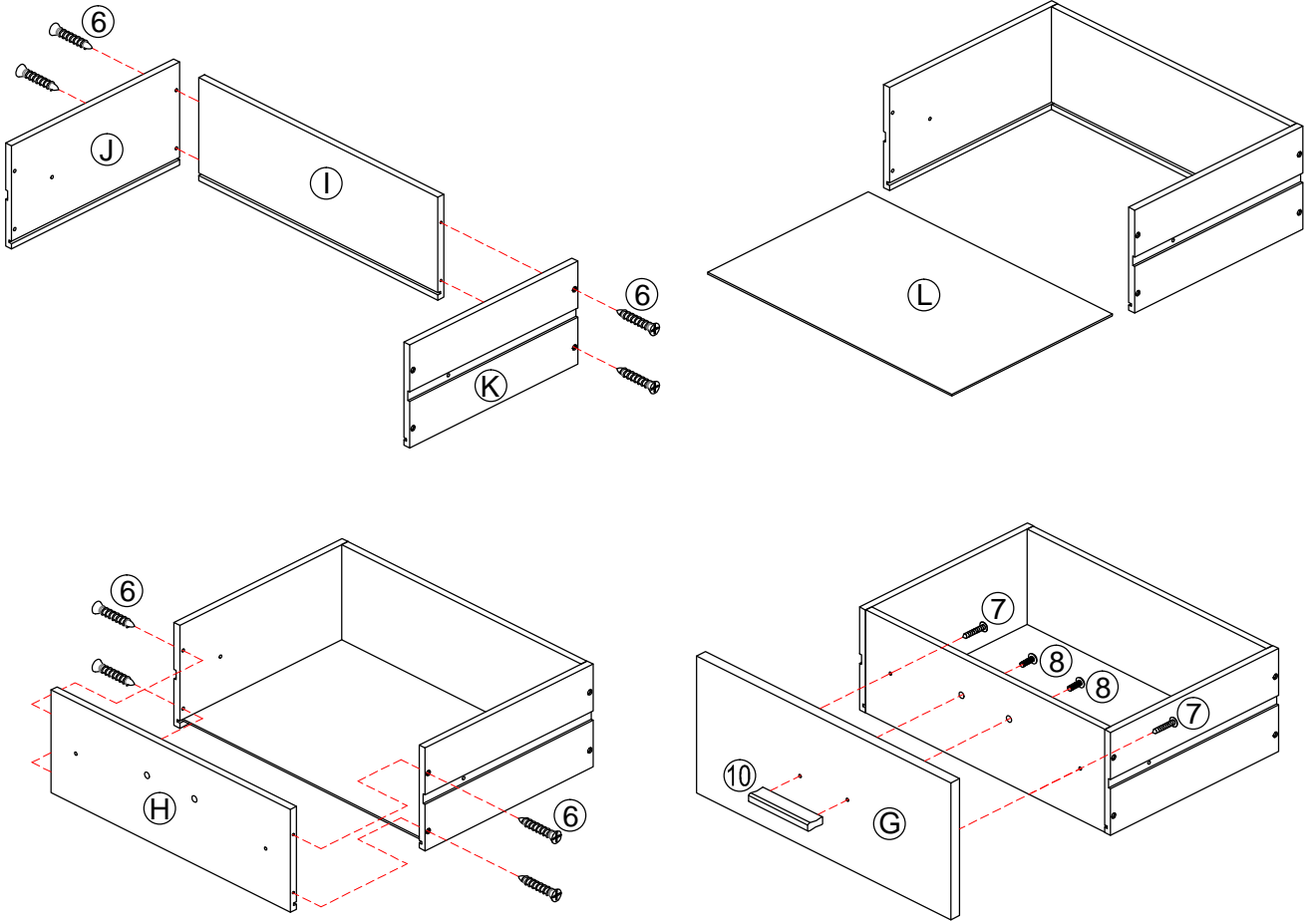


Attention:

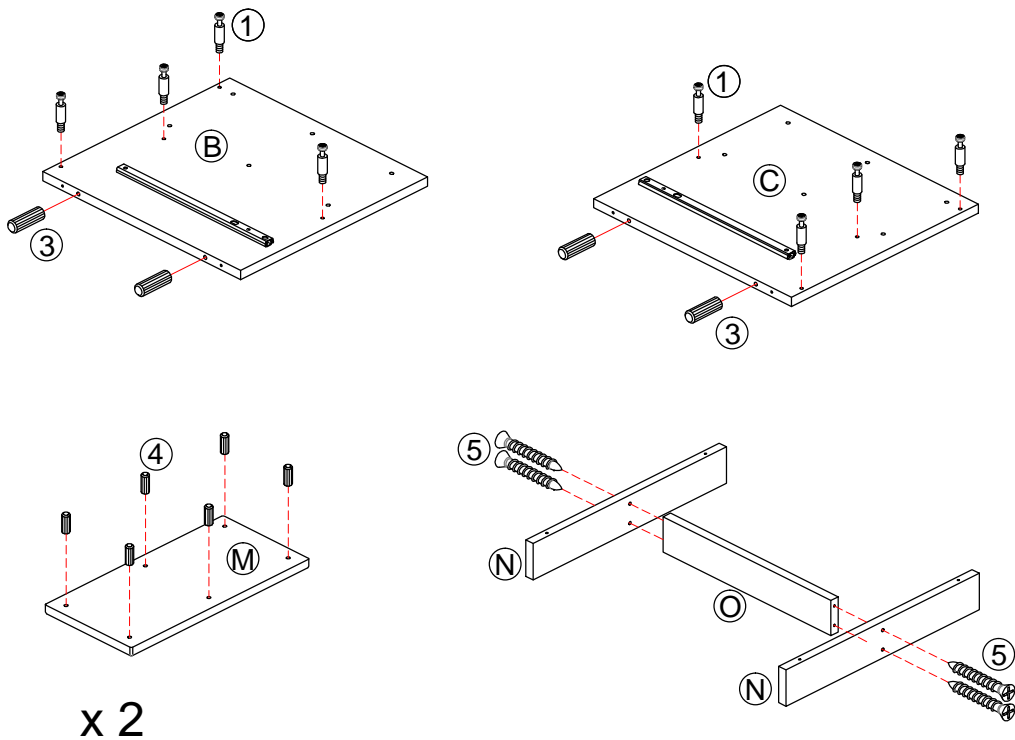
*** Some number parts listed on the instruction sheet may not be in parts bag as they may already be assembled.

Carefully check parts and packing materials prior to ordering replacements.

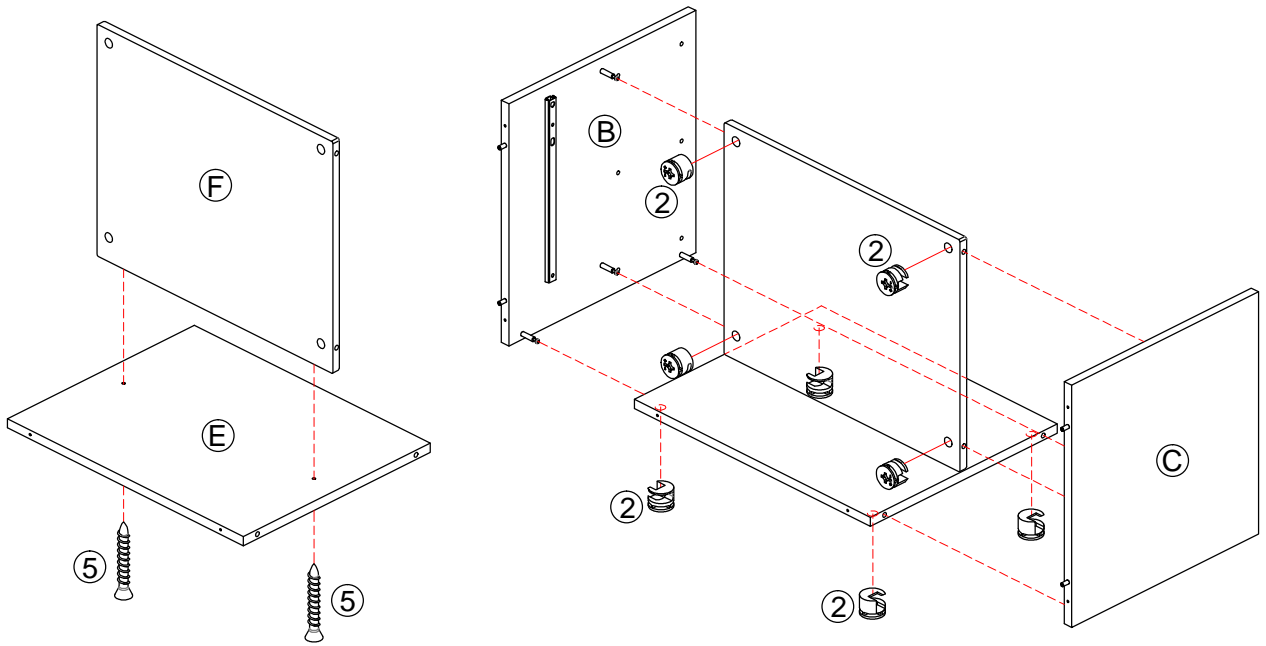
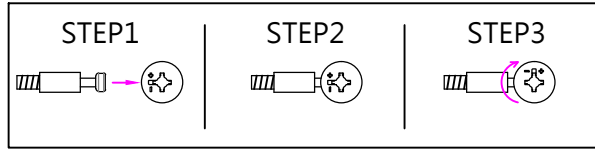
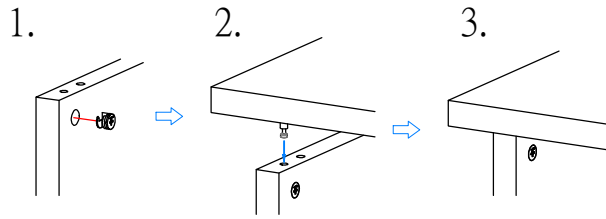
1



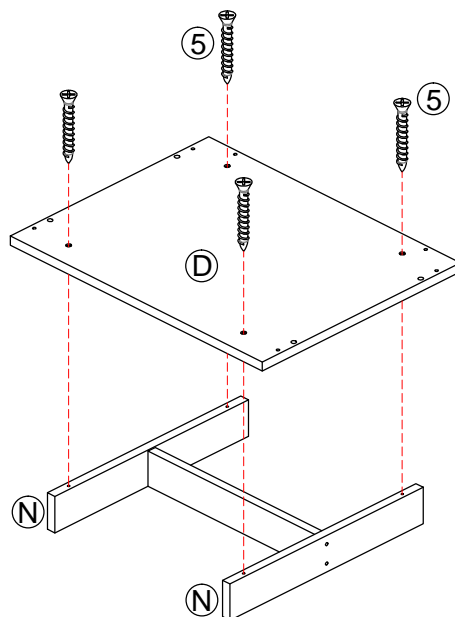
2



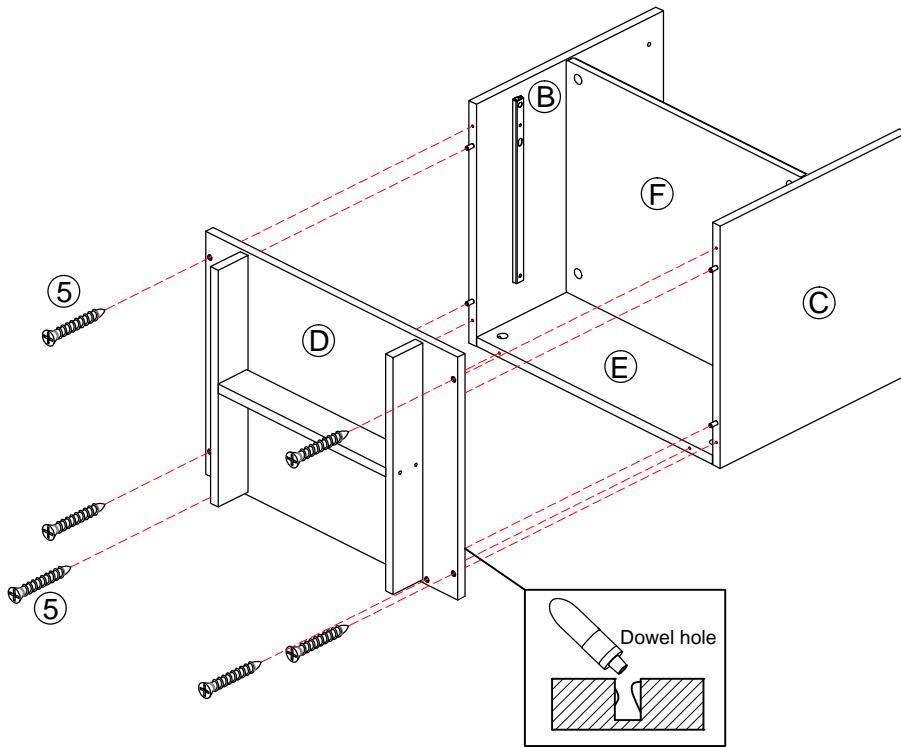
3



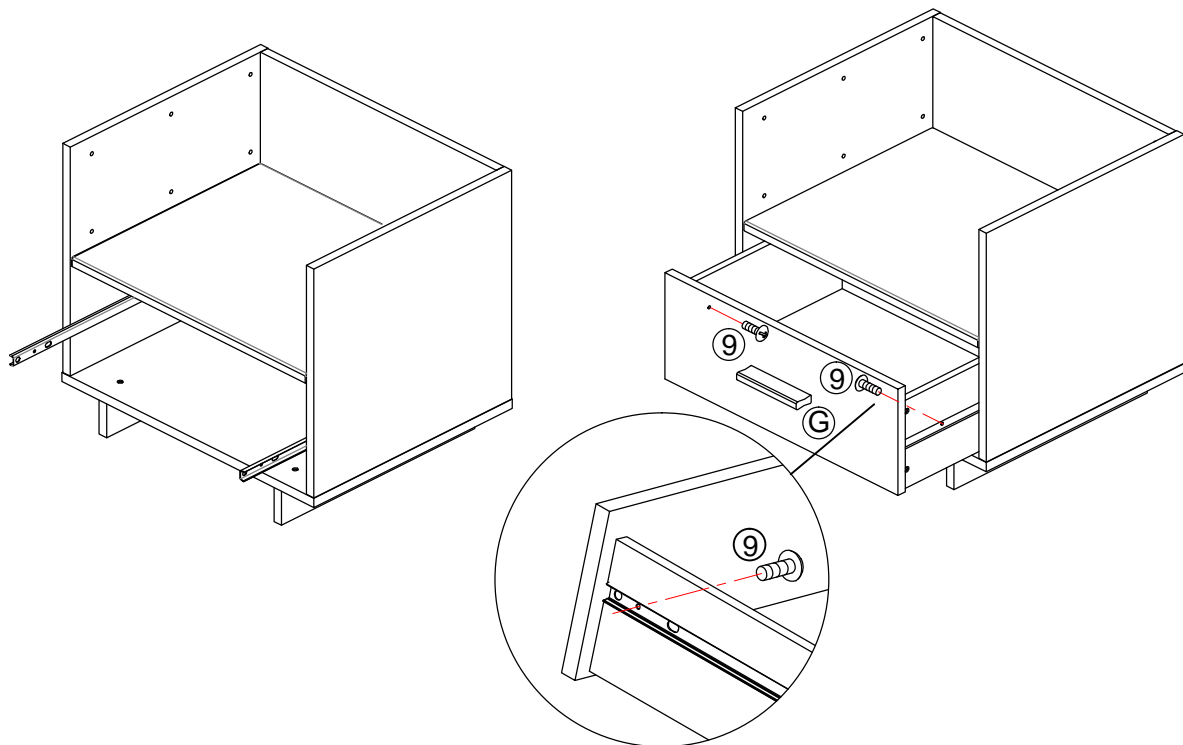
4



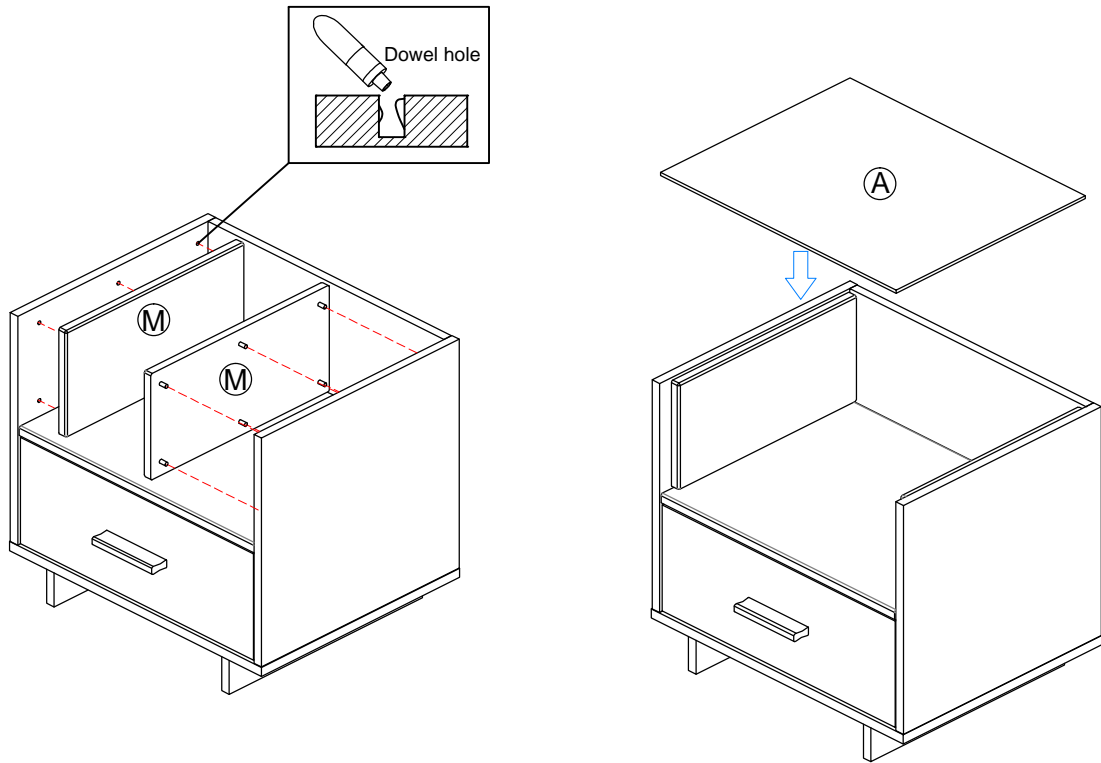
5



6



7



8

