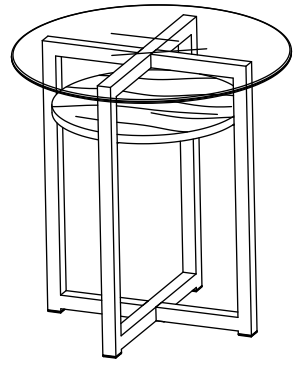
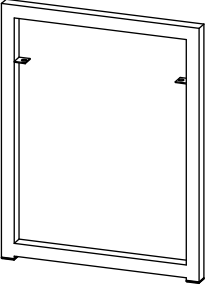
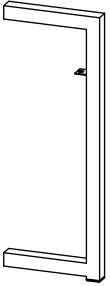



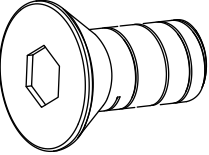

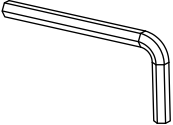


ITEM NO.80562

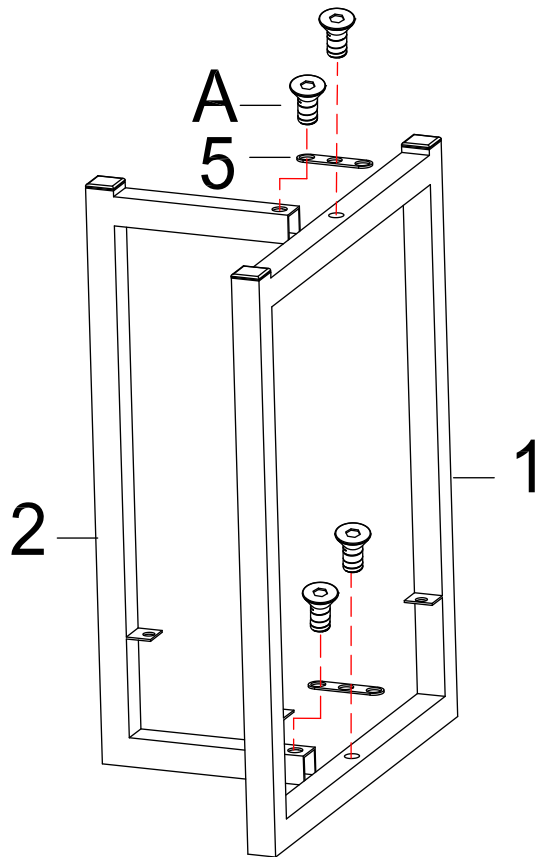


ASSEMBLY INSTRUCTIONS

1	2	3	4	5
 <p>LARGE FRAME 1PC</p>	 <p>SMALL FRAME 2PCS</p>	 <p>WOOD SHELF 1PC</p>	 <p>GLASS TOP 1PC</p>	 <p>CONNECTING PLATE 2PCS</p>
A	B	C		
 <p>BOLT 1/4" x 1/2" 10PCS</p>	 <p>GLASS PAD 4PCS</p>	 <p>ALLEN KEY 1PC</p>		

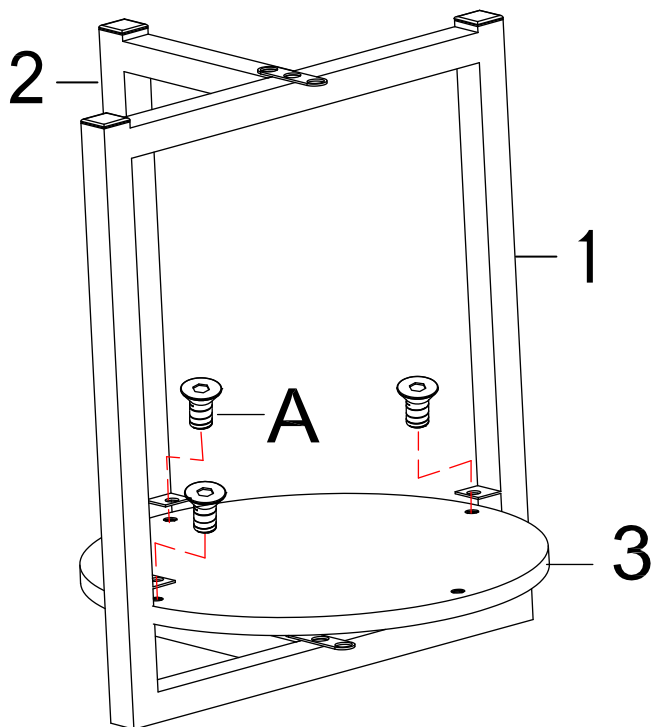
***** Do not tighten screws & bolts until the entire unit is completely assembled. *****

STEP 1



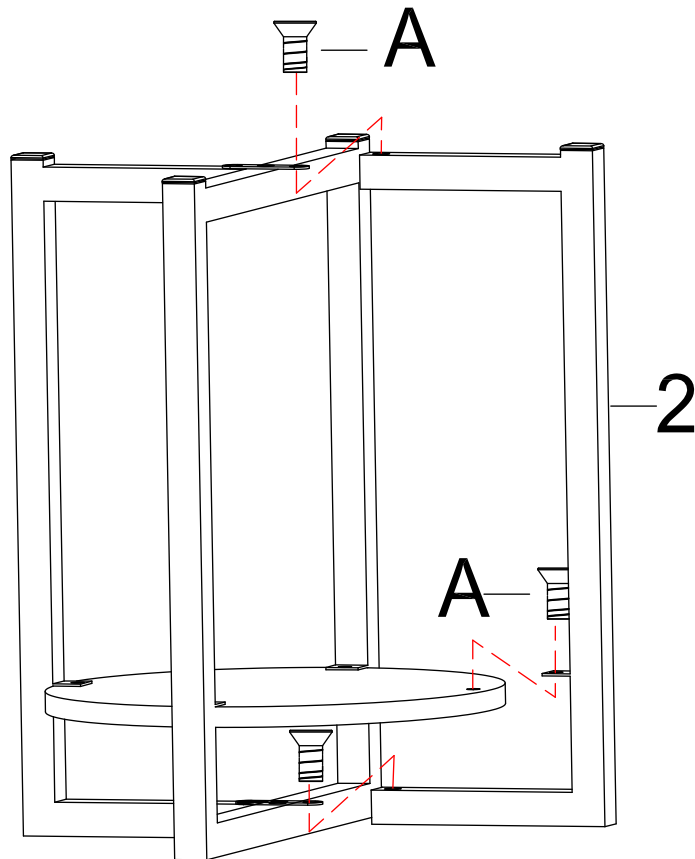
Attach small frame (2) to large frame (1) using connecting plate (5) and bolts (A) as shown.

STEP 2



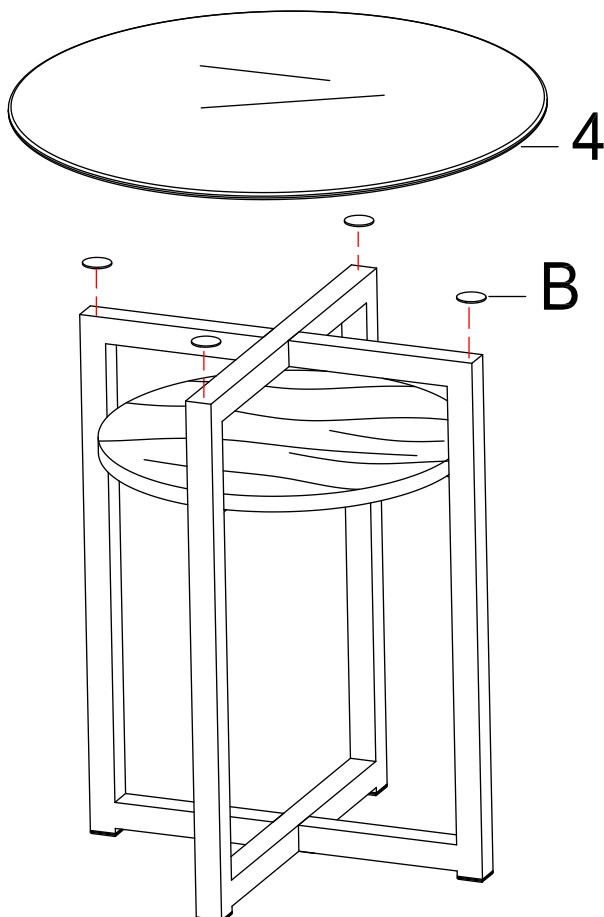
Attach wood shelf (3) to large frame (1) and small frame (2) using bolts (A) as shown.

STEP 3



Attach another small frame (2) to large frame (1) using bolts (A) as shown. Then carefully turn the assembled unit upright.

STEP 4



Attach glass top (4) to the assembled unit using glass pad (B).