

ITEM NO. 72172 GRAY VELVET

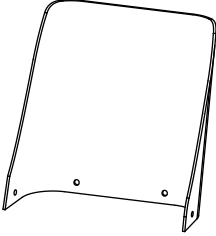
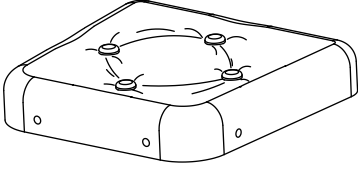
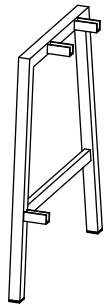
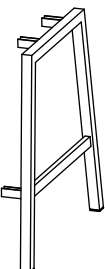
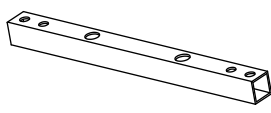
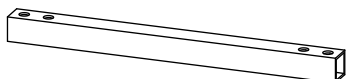
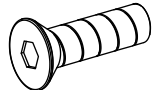
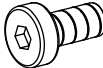
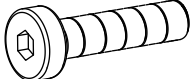
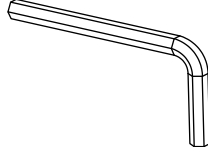
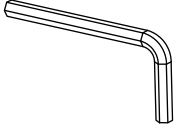
72173 BURGUNDY VELVET

72174 YELLOW VELVET

72175 PEACOCK VELVET

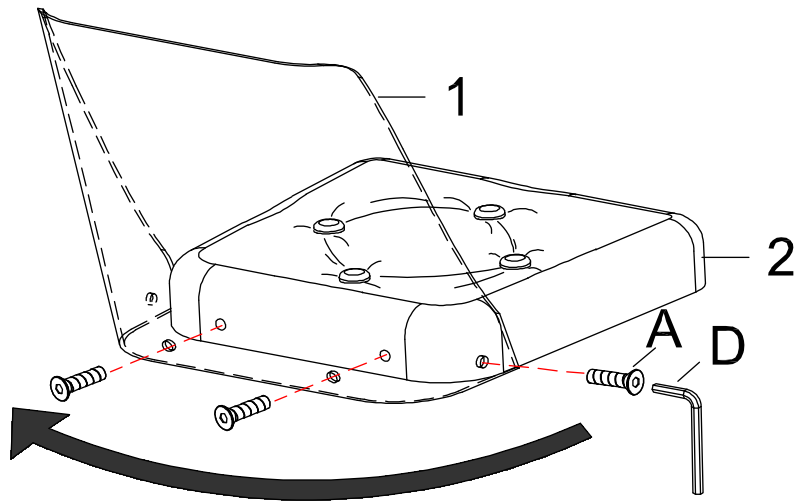


ASSEMBLY INSTRUCTIONS

<p>1</p>  <p>ACRYLIC BACK 1PC</p>	<p>2</p>  <p>SEAT CUSHION 1PC</p>	<p>3</p>  <p>LEFT SIDE PANEL 1PC</p>
<p>4</p>  <p>RIGHT SIDE PANEL 1PC</p>	<p>5</p>  <p>TOP STRETCHER 2PCS</p>	<p>6</p>  <p>BOTTOM STRETCHER 1PC</p>
<p>A</p>	<p>B</p>	<p>C</p>
 <p>BOLT M8 x 1" 4PCS</p>	 <p>BOLT 1/4" x 1/2" 12PCS</p>	 <p>BOLT 1/4" x 1-3/4" 4PCS</p>
<p>D</p>	<p>E</p>	
 <p>M8 ALLEN KEY 1PC</p>	 <p>1/4" ALLEN KEY 1PC</p>	

***** Do not tighten screws & bolts until the entire unit is completely assembled. *****

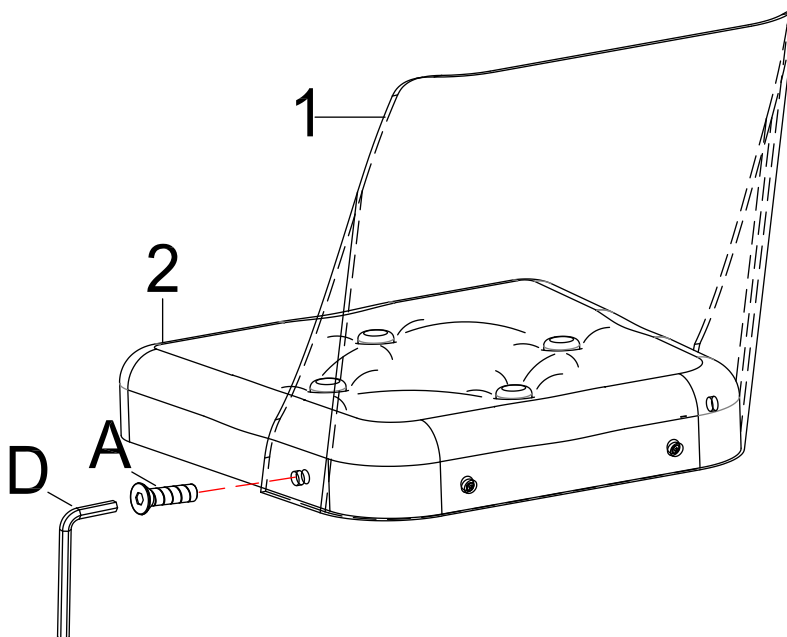
STEP 1



Attach acrylic back (1) to seat cushion (2) using bolts (A) and M8 allen key (D).

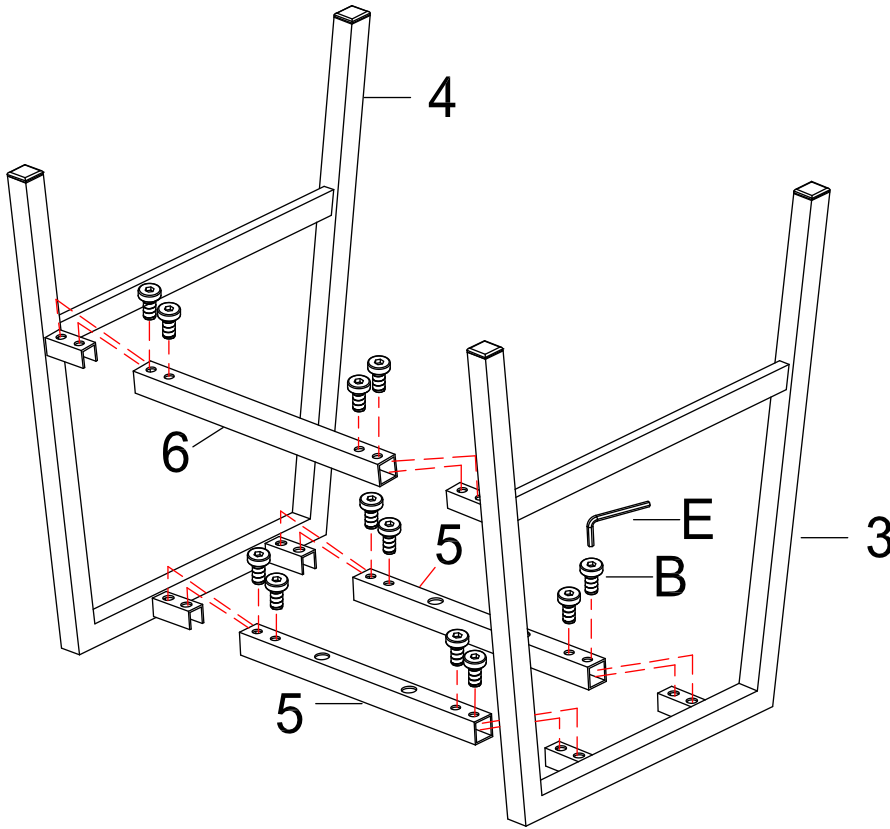
***Notice:** Please screw bolts from right to left in order as shown.

STEP 2



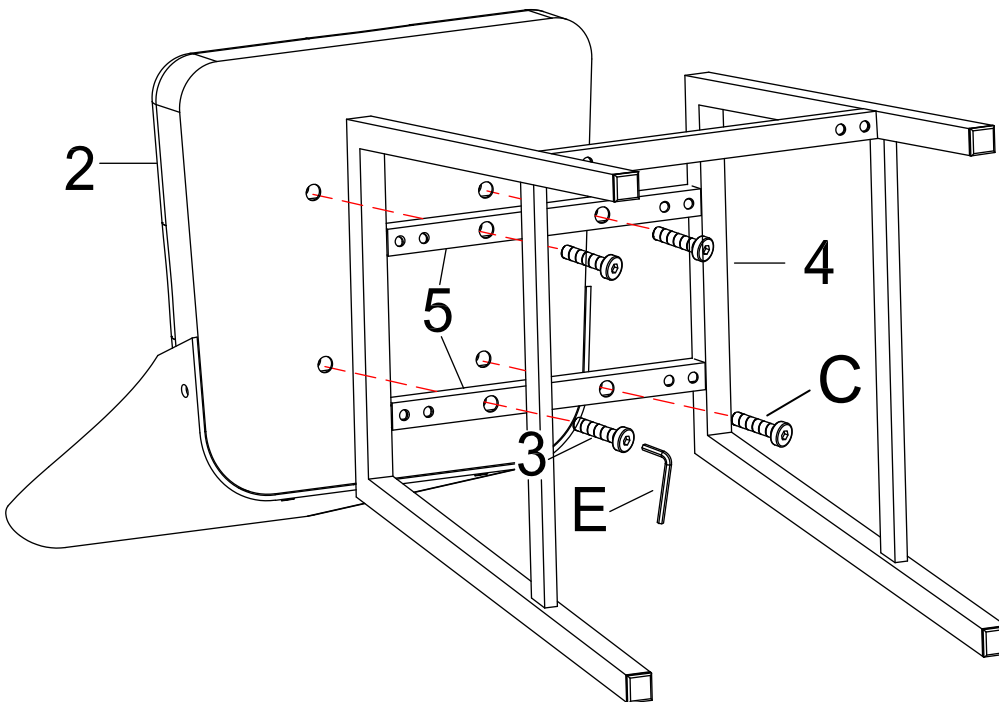
Use bolt (A) and M8 allen key (D) to attach another side of acrylic back (1) and seat cushion (2) as shown.

STEP 3



Attach left side panel (3) and right side panel (4) to two top stretchers (5) and bottom stretcher (6) by using bolts (B) and 1/4" allen key (E) as shown.

STEP 3



Attach assembled metal base to seat cushion (2) by using bolts (C) and 1/4" allen key (E) as shown.