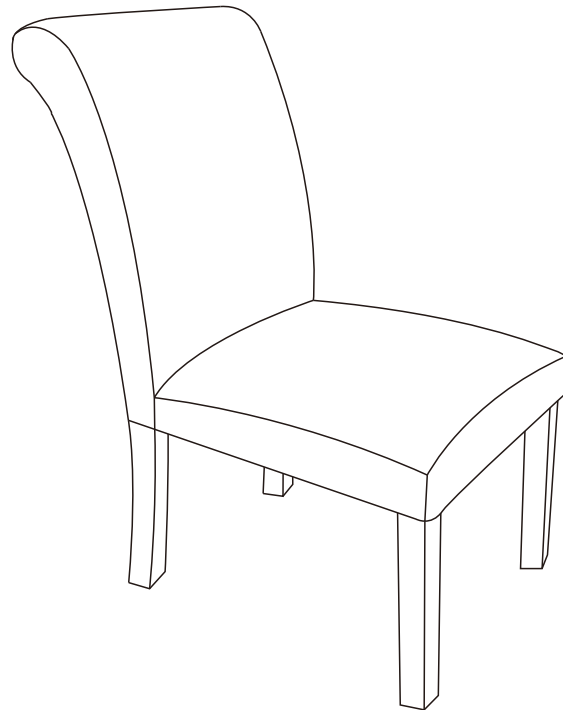


# ASSEMBLY INSTRUCTION FOR ACME FURNITURE

MODEL# 59758 59759 59760 59761 Dining Chair

**Thank you for purchasing this quality product. Be sure to check all packing material carefully for small parts which may have come loose inside the carton during shipment. Separate, identify and count all parts and metal hardware. Compare with parts list to be sure all parts are present. If any part(s) are missing or damaged, please contact your local furniture dealer. For efficient and speedy service, please indicate the model number and code letter of part(s) needed.**

**\*\*\* Do not fully tighten screws until fully assembled \*\*\***






Thanks for buying our products.





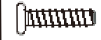

Please study the diagram before assembling.

(Note. please don't fasten the screws before attaching all the screws).

## PARTS LIST

NO.	DESCRIPTION	Q'ty
A	Seat Frame 	1
B	Chair Back 	1
C	Front Leg 	2

## HARDWARE LIST

NO.	DESCRIPTION	Q'ty
1	Flat washer 	10
2	Lock washer 	10
3	Bolt 	2
4	Bolt 	4
5	Bolt 	4
6	Allen Wrench 	1

