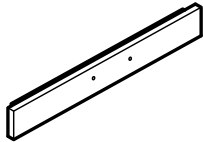
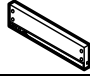

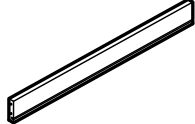
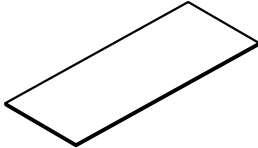

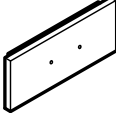
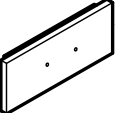
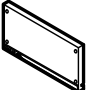
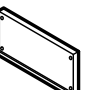
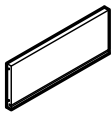
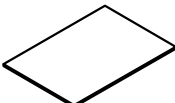


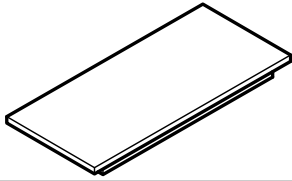
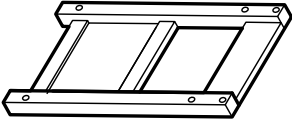
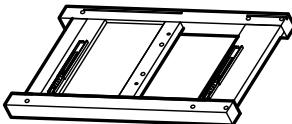
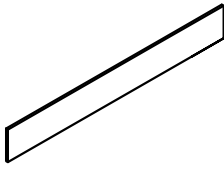
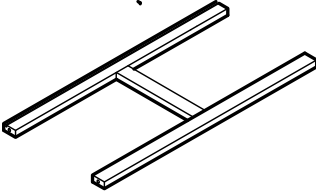
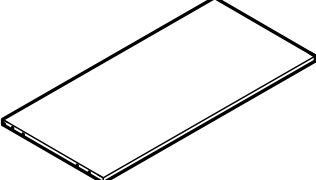
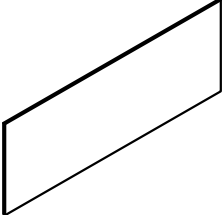
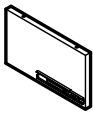
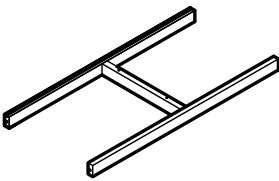
ASSEMBLY INSTRUCTION FOR ACME FURNITURE

MODEL#98330




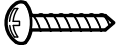
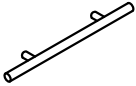
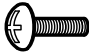

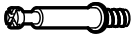




Thank you for purchasing the quality product. Be sure to check all packing material carefully for small parts which may have come loose inside the carton during shipment. Separate, identify and count all parts and metal hardware. Compare with all parts list to be sure all parts are present. If any part(s) are missing or damaged, please contact your local furniture dealer. For efficient and speedy service, please indicate the model number and code letter of part(s) needed.

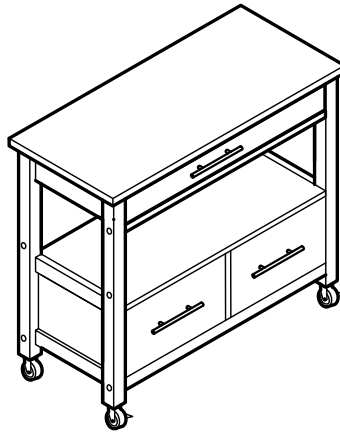
*** Do not fully tighten screws until fully assembled ***

COMPONENT PARTS		
DESCRIPTION	PART NAME	QTY (PCS)
①	DRAWER HEAD UP 	1
②A	DRAWER SIDE PANEL UP - LEFT 	1
②B	DRAWER SIDE PANEL UP - RIGHT 	1
③	DRAWER BACK PANEL UP 	1
④	DRAWER BOTTOM PANEL UP 	1
⑤	DRAWER SUPPORT 	1
⑥A	DRAWER HEAD DOWN - LEFT 	1
⑥B	DRAWER HEAD DOWN - RIGHT 	1
⑦A	DRAWER SIDE PANEL DOWN - LEFT 	2
⑦B	DRAWER SIDE PANEL DOWN - RIGHT 	2
⑧	DRAWER BACK PANEL DOWN 	2
⑨	DRAWER BOTTOM PANEL DOWN 	2

COMPONENT PARTS		
DESCRIPTION	PART NAME	QTY (PCS)
⑩	TOP 	1
⑪	SIDE FRAME - LEFT 	1
⑫	SIDE FRAME - RIGHT 	1
⑬	BACK PANEL - UP 	1
⑭	TOP FRAME 	1
⑮	CENTER SHELF 	1
⑯	BACK PANEL DOWN 	1
⑰	DIVISION PANEL 	1
⑱	DOWN FRAME 	1

HARDWARE REQUIRED

(A)		BOLT	M6 x 80mm	12 PCS
(B)		BARREL NUT	M6 x 13mm	12 PCS
(C)		ALLEN KEY	M4	1 PC
(D)		PAN HEAD SCREW	#8 x 1 1/4"	26 PCS
(E)		HANDLE		3 PCS
(F)		TRUSS HEAD	20mm	6 PCS
(G)		CAM-LOCK	9mm	8 PCS
(H)		MINIFIX	24mm	8 PCS
(I)		CASTER WITH BREAK	76mm	2 PCS
(J)		CASTER W/O BREAK	76mm	2 PCS
(K)		WOODEN PLUG	14.5Ø	12 PCS
(L)		WOOD DOWEL	M8 x 30mm	6 PCS

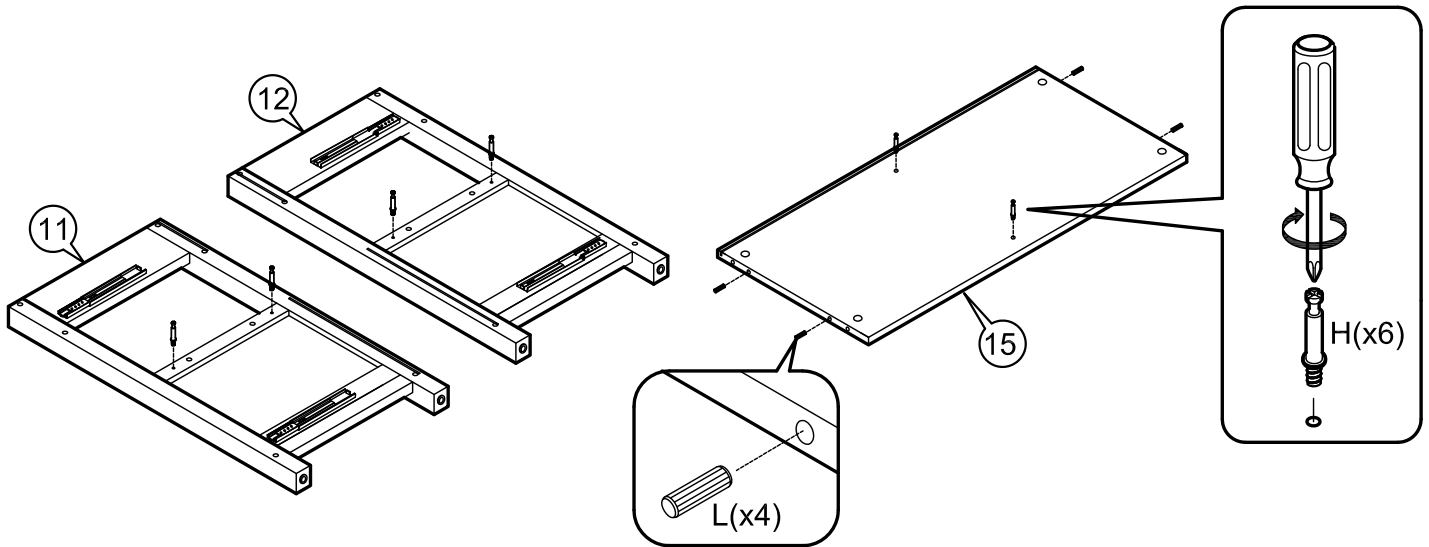


Attention

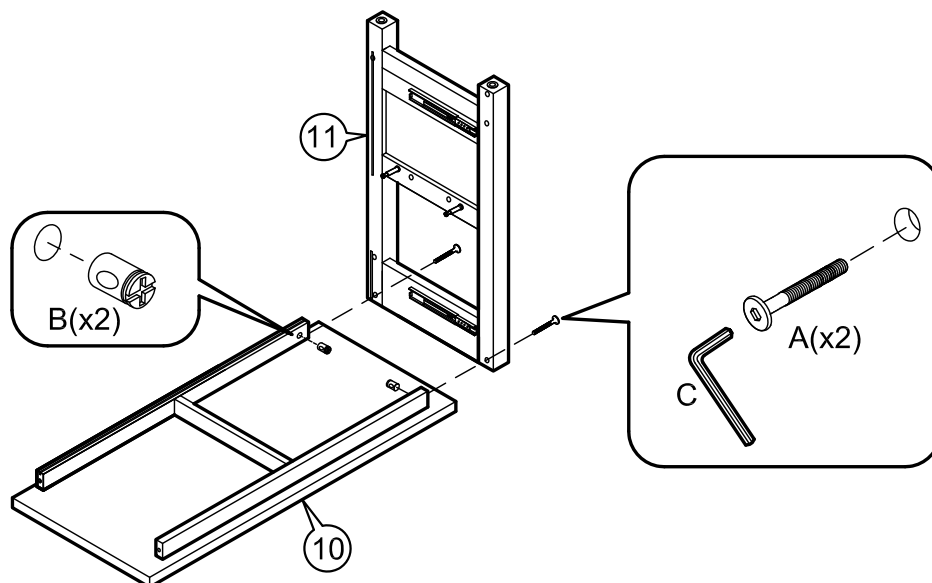
*** Some number parts listed on the instruction sheet may not to be in parts bag as they already be assembled. Carefully check parts and packing materials prior to ordering replacements.

How to assemble :

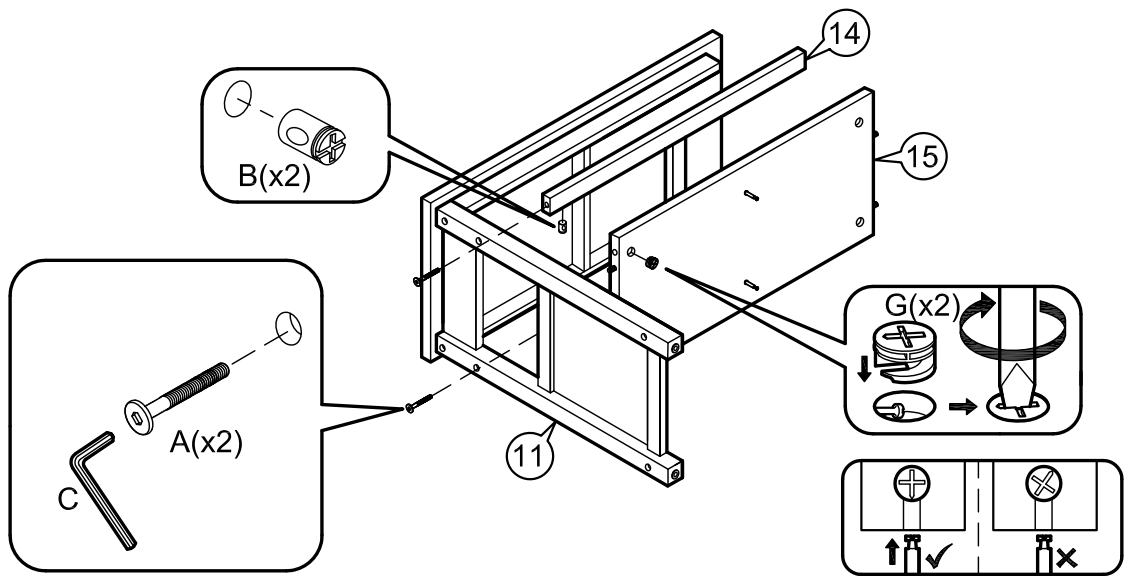
STEP 1



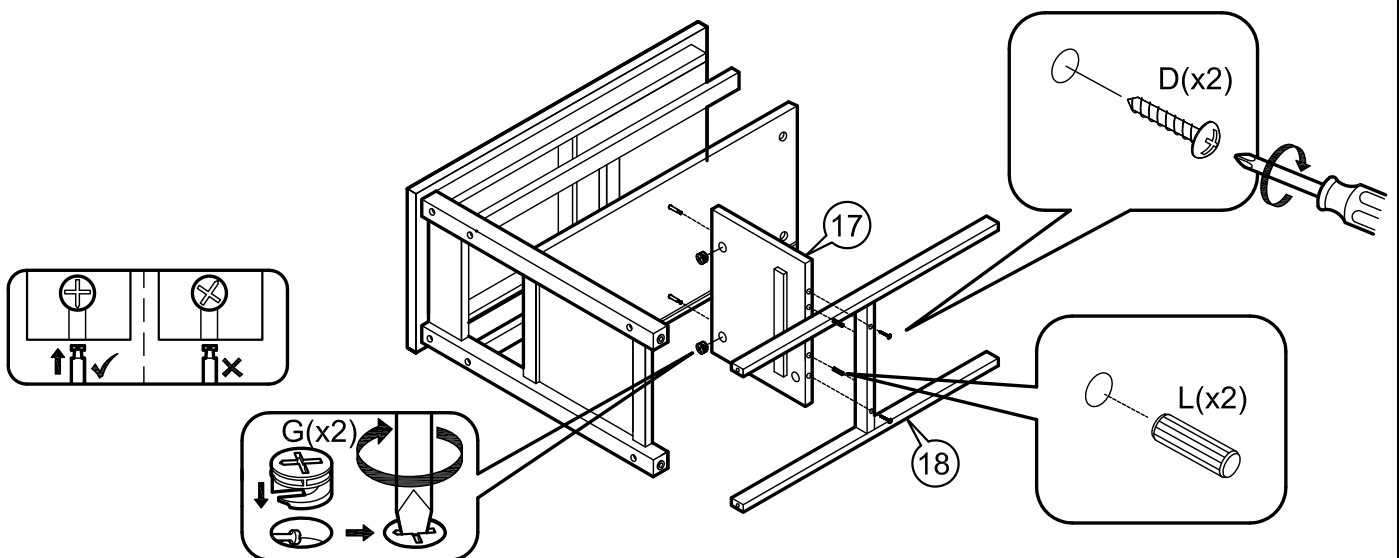
STEP 2



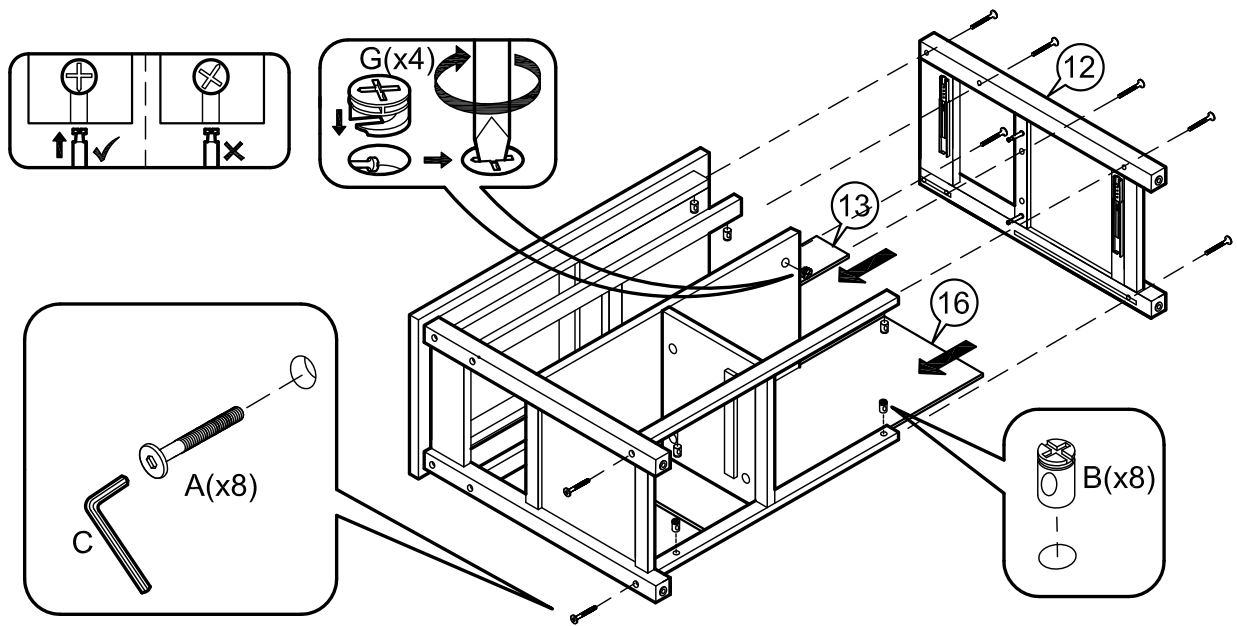
STEP 3



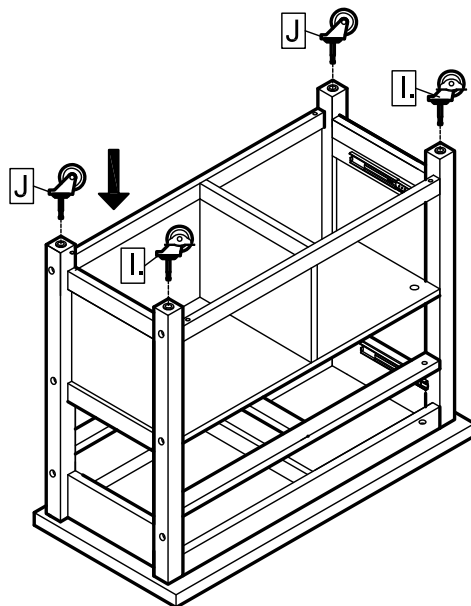
STEP 4



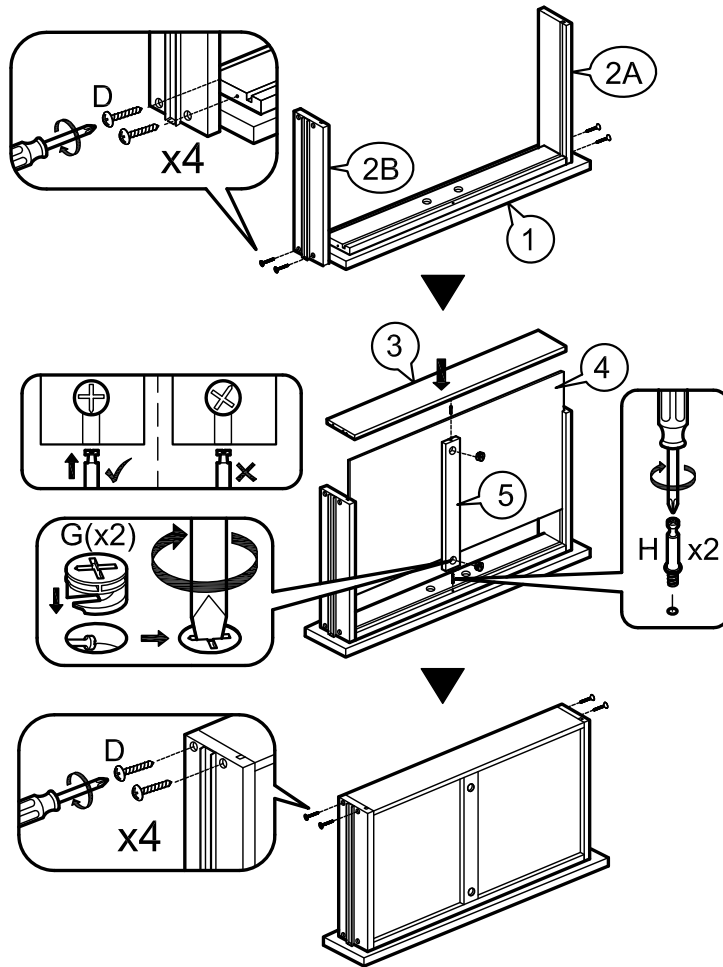
STEP 5



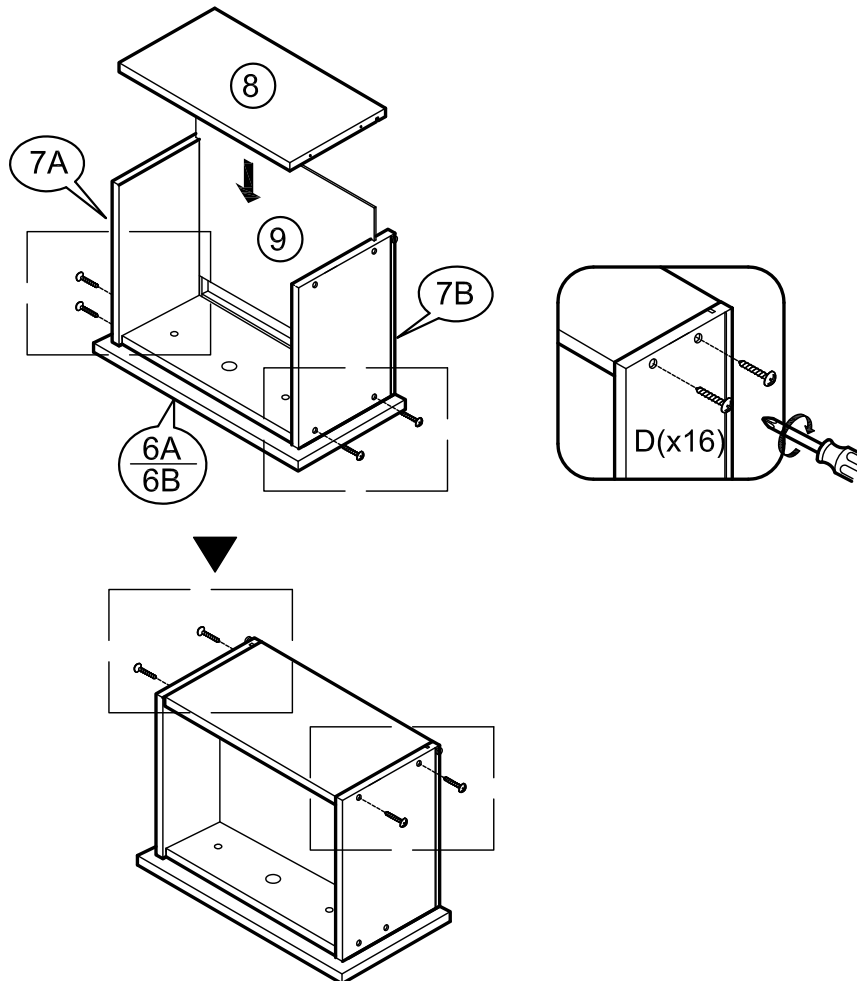
STEP 6



STEP 7



STEP 8



STEP 9

