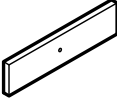



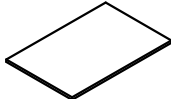
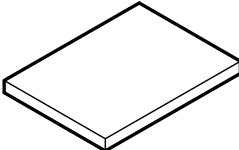
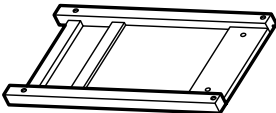
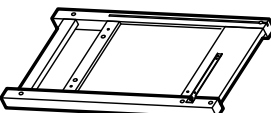

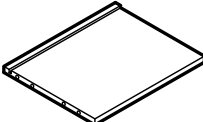
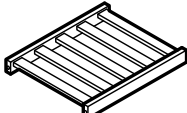
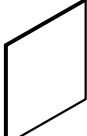



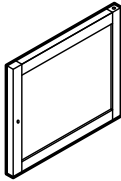
ASSEMBLY INSTRUCTION FOR ACME FURNITURE

MODEL#98300 / 98302

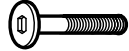
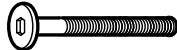




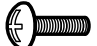
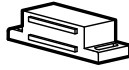

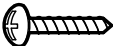

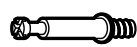

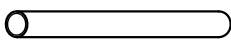



Thank you for purchasing the quality product. Be sure to check all packing material carefully for small parts which may have come loose inside the carton during shipment. Separate, identify and count all parts and metal hardware. Compare with all parts list to be sure all parts are present. If any part(s) are missing or damaged, please contact your local furniture dealer. For efficient and speedy service, please indicate the model number and code letter of part(s) needed.

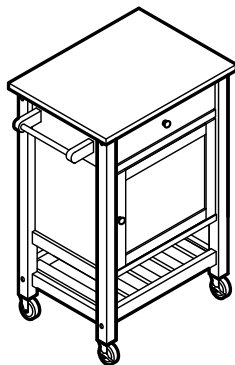
*** Do not fully tighten screws until fully assembled ***

COMPONENT PARTS		
DESCRIPTION	PART NAME	QTY (PCS)
①	DRAWER HEAD 	1
②A	DRAWER SIDE PANEL - LEFT 	1
②B	DRAWER SIDE PANEL - RIGHT 	1
③	DRAWER BACK PANEL 	1
④	DRAWER BOTTOM PANEL 	1
⑤	TOP 	1
⑥	SIDE FRAME - LEFT 	1
⑦	SIDE FRAME - RIGHT 	1
⑧	TOP APRON 	1
⑨	CENTER PANEL 	1
⑩	SHELF FRAME 	1
⑪	BACK PANEL 	1

COMPONENT PARTS		
DESCRIPTION	PART NAME	QTY (PCS)
(12)	TOWEL HOLDER 	2
(13)	DOOR 	1

HARDWARE REQUIRED

(A)		BOLT	M6 x40mm	2 PCS
(B)		BOLT	M6 x70mm	8 PCS
(C)		BARREL NUT	M6 x 13mm	8 PCS
(D)		ALLEN KEY	M4	1 PC
(E)		DOOR SPRING	M4	2 PCS
(F)		KNOB		2 PCS
(G)		TRUSS HEAD	20mm	2 PCS
(H)		MAGNETIC CATCH		1 PC
(I)		CHIPBOARD SCREW	M3 x 16mm	2 PCS
(J)		PAN HEAD SCREW	#8 x 1 1/4"	8 PCS
(K)		CAM-LOCK	12mm	6 PCS
(L)		MINIFIX	34mm	6 PCS
(M)		WOOD PLUG	14.5Ø	8 PCS
(N)		ALUMINIUM PIPE	254 x 19Ømm	1 PC
(O)		WOOD DOWEL	M8 x 30mm	6 PCS
(P)		CASTER WITH LOCK	50mm	2 PCS
(Q)		CASTER WITHOUT LOCK	50mm	2 PCS

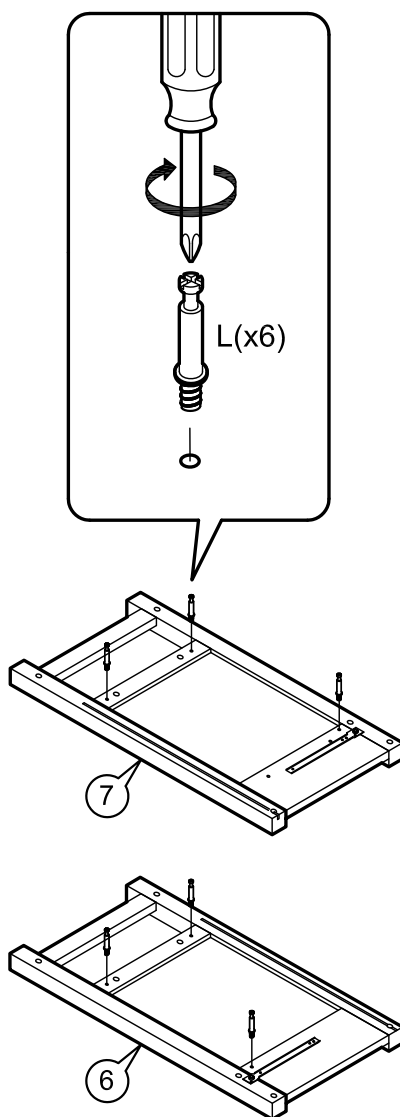


Attention

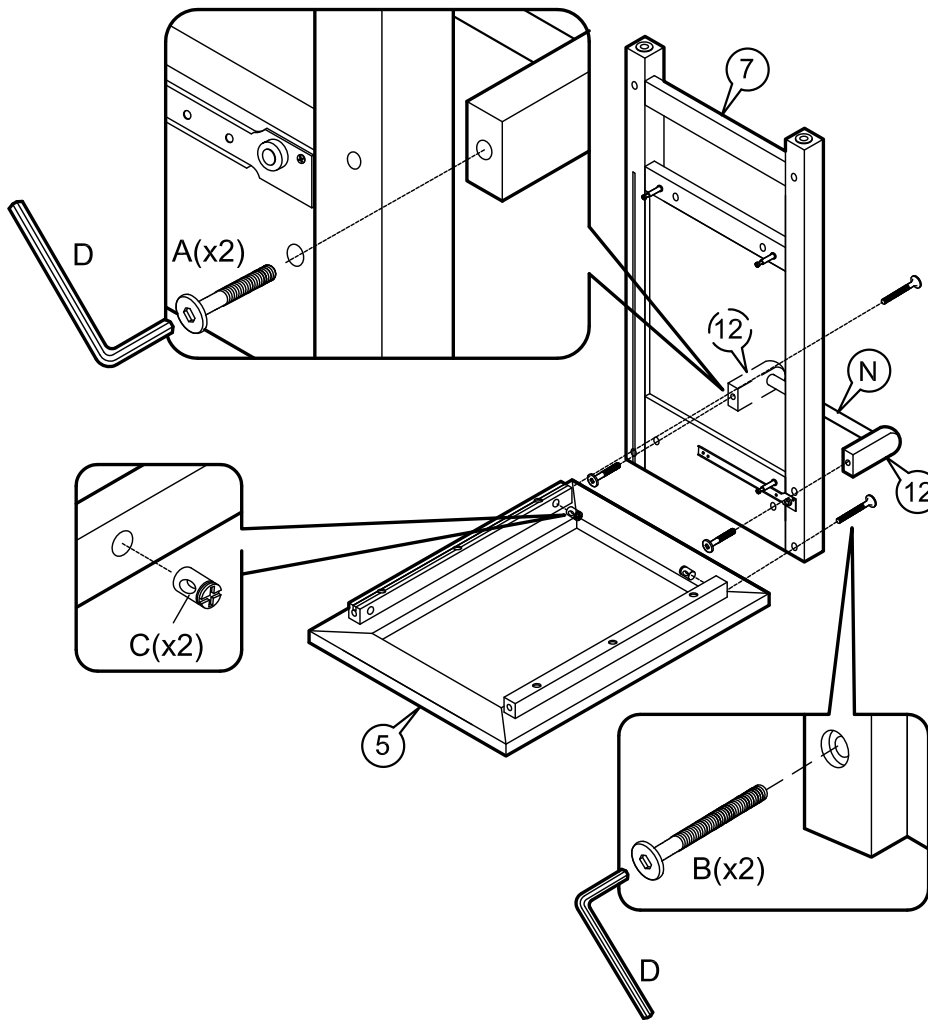
*** Some number parts listed on the instruction sheet may not to be in parts bag as they already be assembled. Carefully check parts and packing materials prior to ordering replacements.

How to assemble :

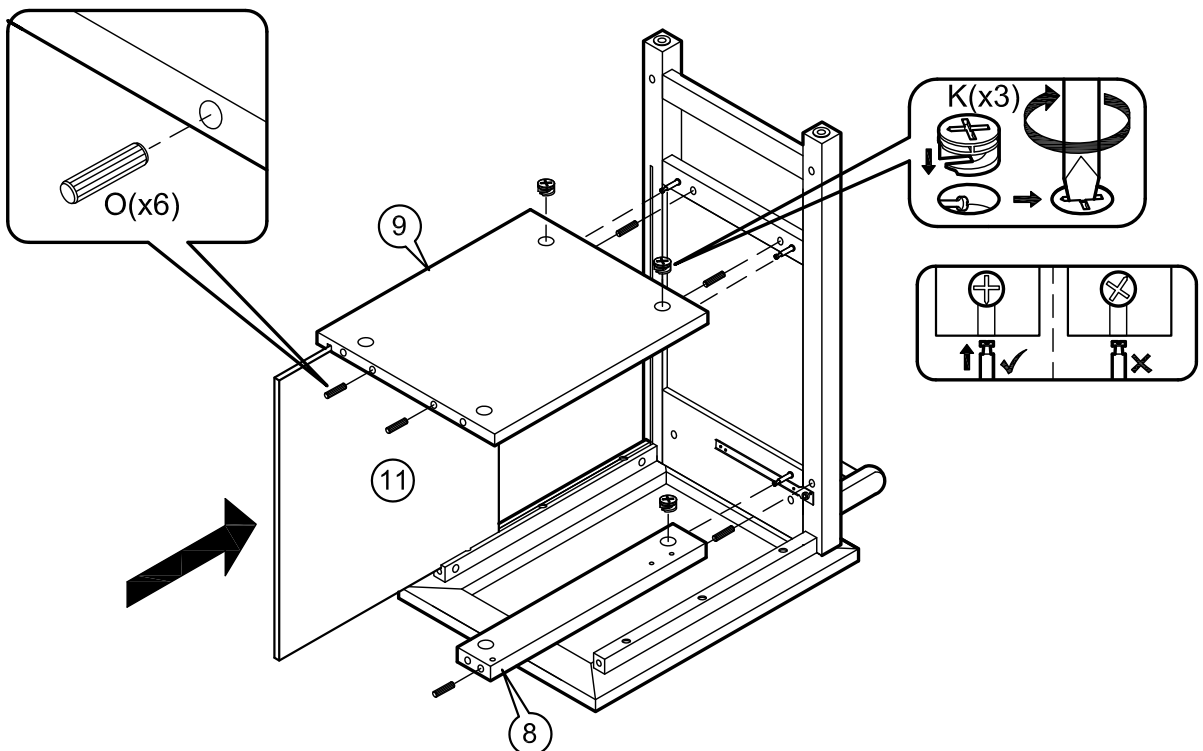
STEP 1



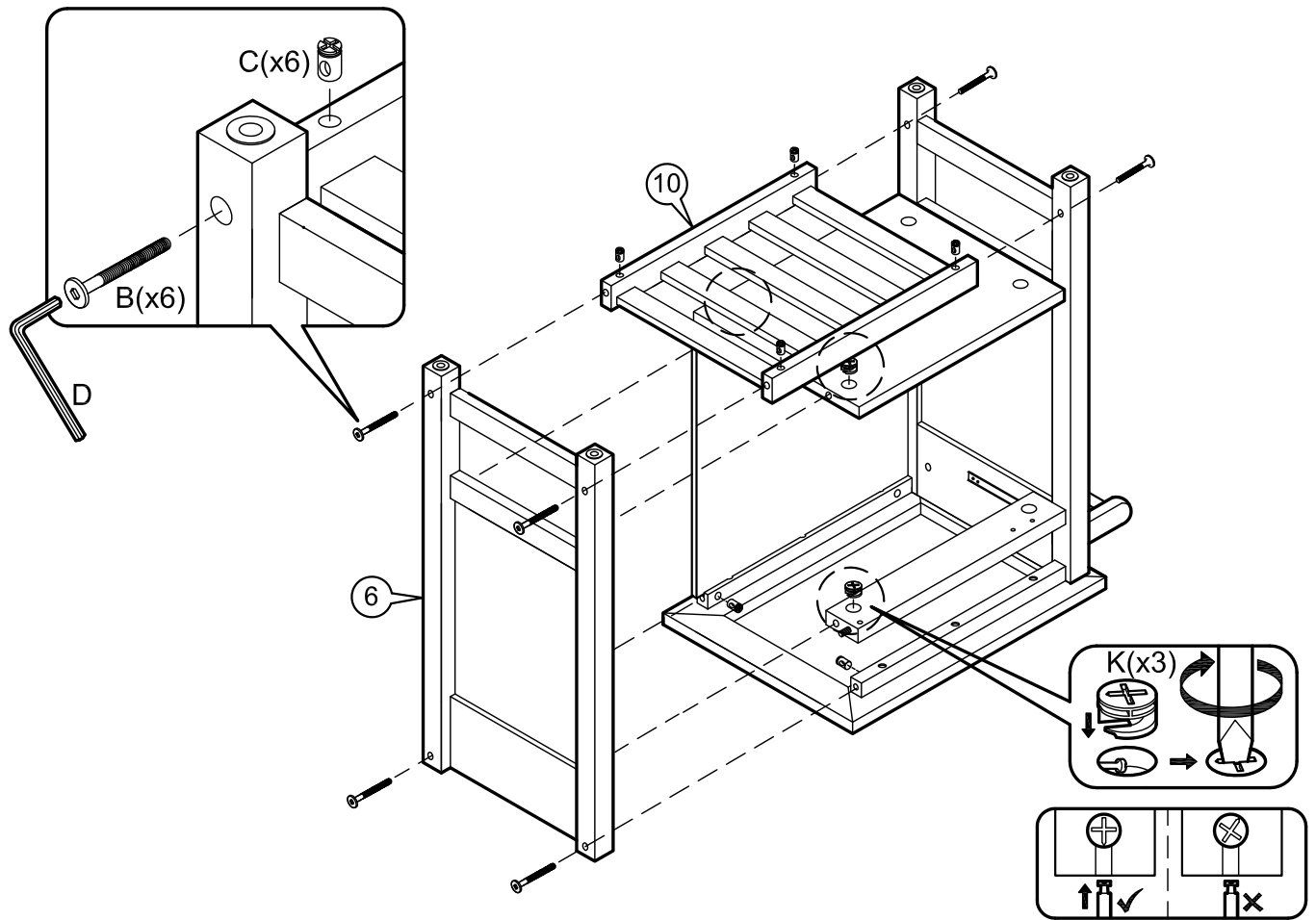
STEP 2



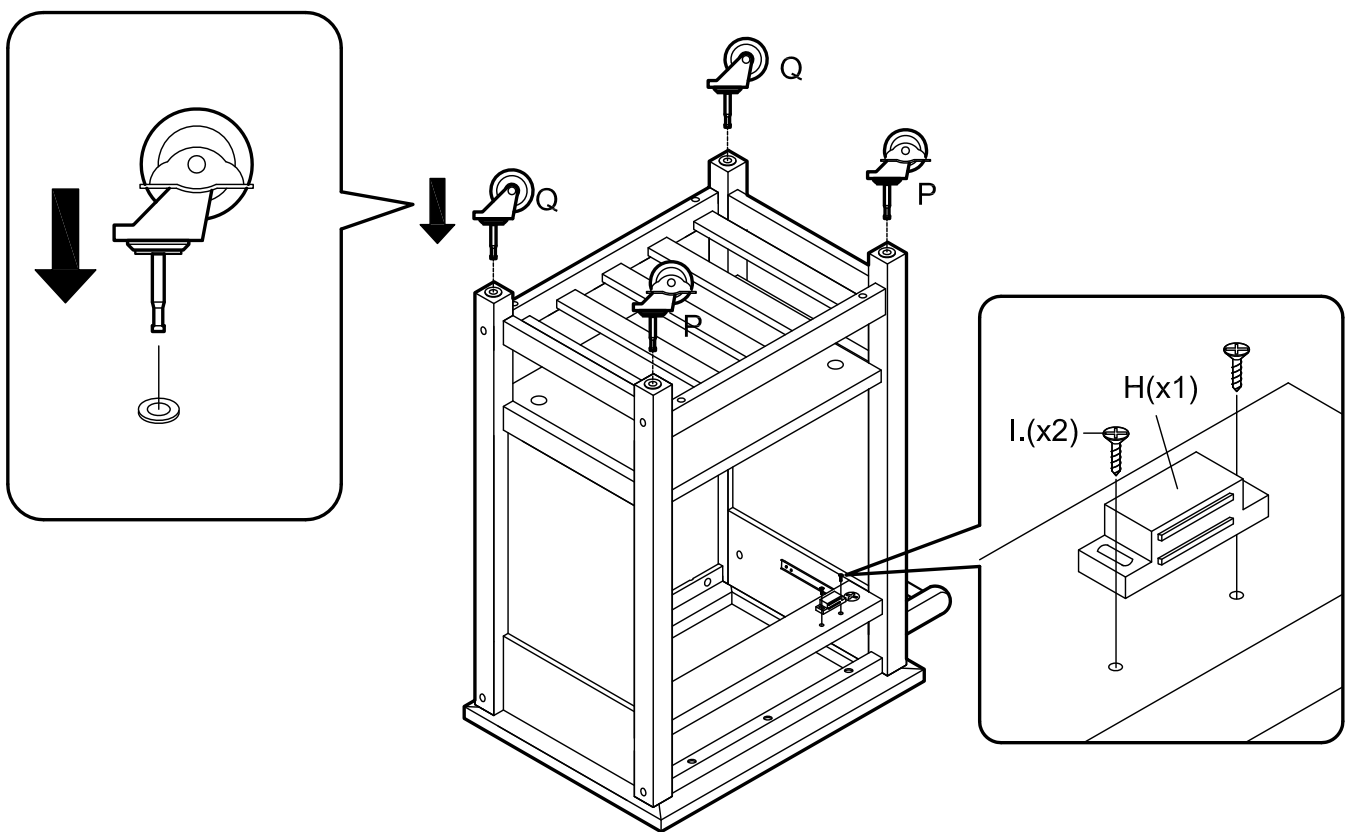
STEP 3



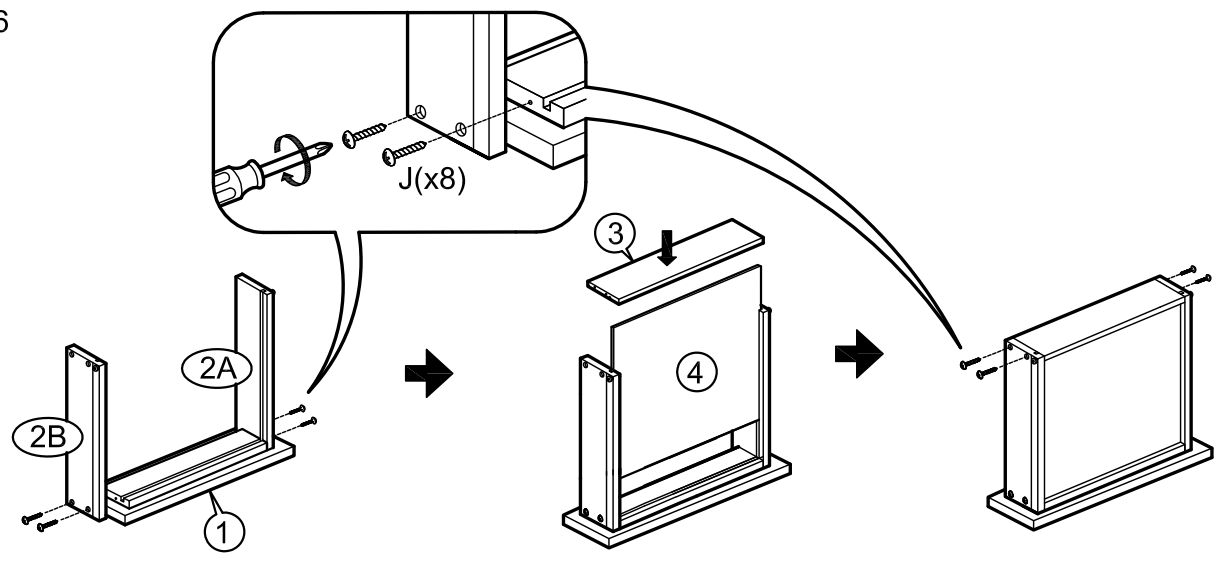
STEP 4



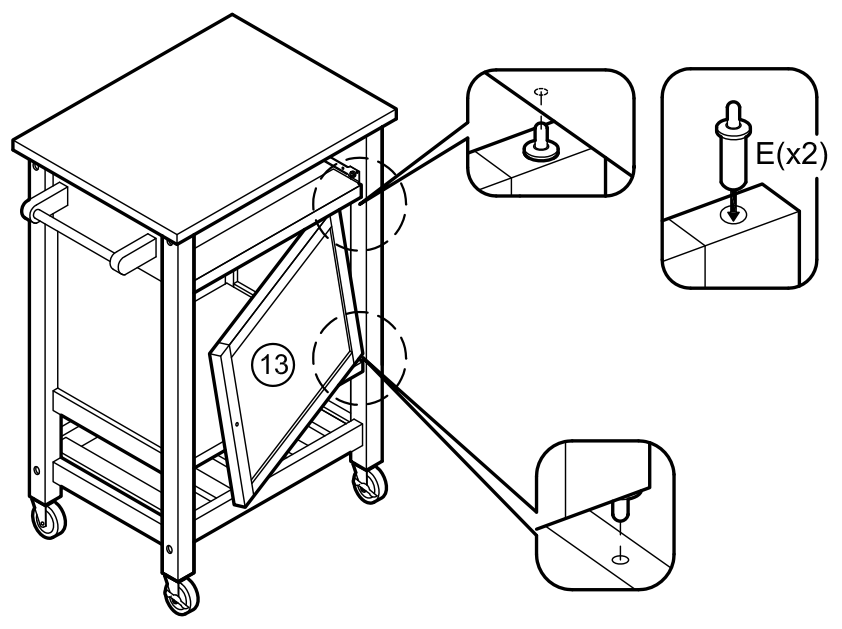
STEP 5



STEP 6



STEP 7



STEP 8

