





ASSEMBLY INSTRUCTION FOR ACME FURNITURE

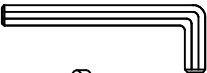
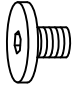


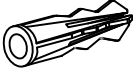


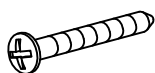
MODEL#92470 / #92471

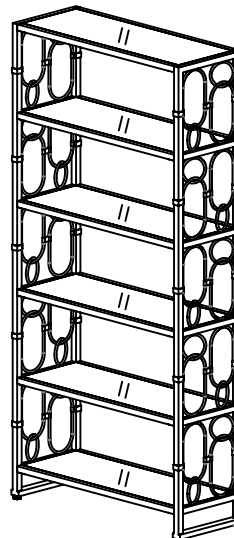
Thank you for purchasing the quality product. Be sure to check all packing material carefully for small parts which may have come loose inside the cation during shipment. Seperate, identify and count all parts and metal hardware. Compare with all parts list to be sure all parts are present. If any part(s) are missing or damaged, please contact your local furniture dealer. For efficient and speedy service, please indicate the model number and code letter of part(s) needed.

*** Do not fully tighten screws until fully assembled ***


COMPONENT PARTS					
DESCRIPTION	PART NAME	QTY (PCS)	DESCRIPTION	PART NAME	QTY (PCS)
①	L-SIDE FRAME 	1	③	CROSS TUBE 	12
②	R-SIDE FRAME 	1	④	GLASS 	6

HARDWARE REQUIRED

Ⓐ		ALLEN KEY		1 PC
Ⓑ		BOLT	ϕ1/4"*12mm	50 PCS
Ⓒ		RUBBER MAT	ϕ10mm	36 PCS
Ⓓ		LEVELER	ϕ30mm	4 PCS
Ⓔ		ANCHOR		2 PCS
Ⓕ		L-SHEET		2 PCS
Ⓖ		WASHER	ϕ19mm	2 PCS
Ⓕ		SCREW	ϕ4mm*38mm	2 PCS



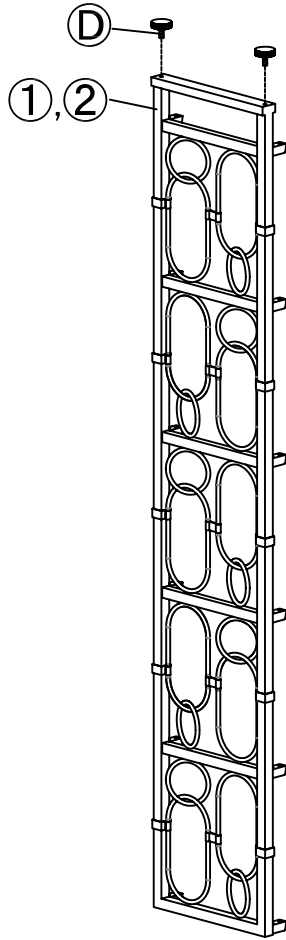
Attention

*** Assembly required: 2-people recommended. 

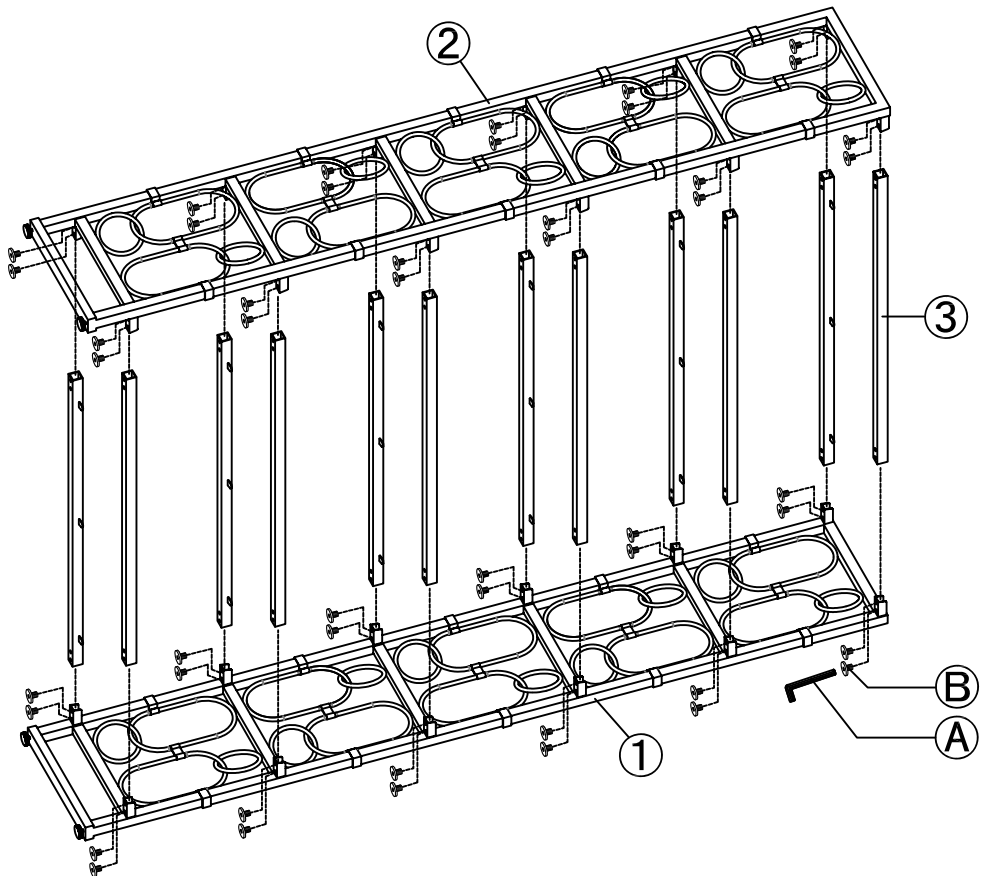
*** Some number parts listed on the instruction sheet may not be in parts bag as they may already be assembled. Carefully check parts and packing materials prior to ordering replacements.

How to assemble:

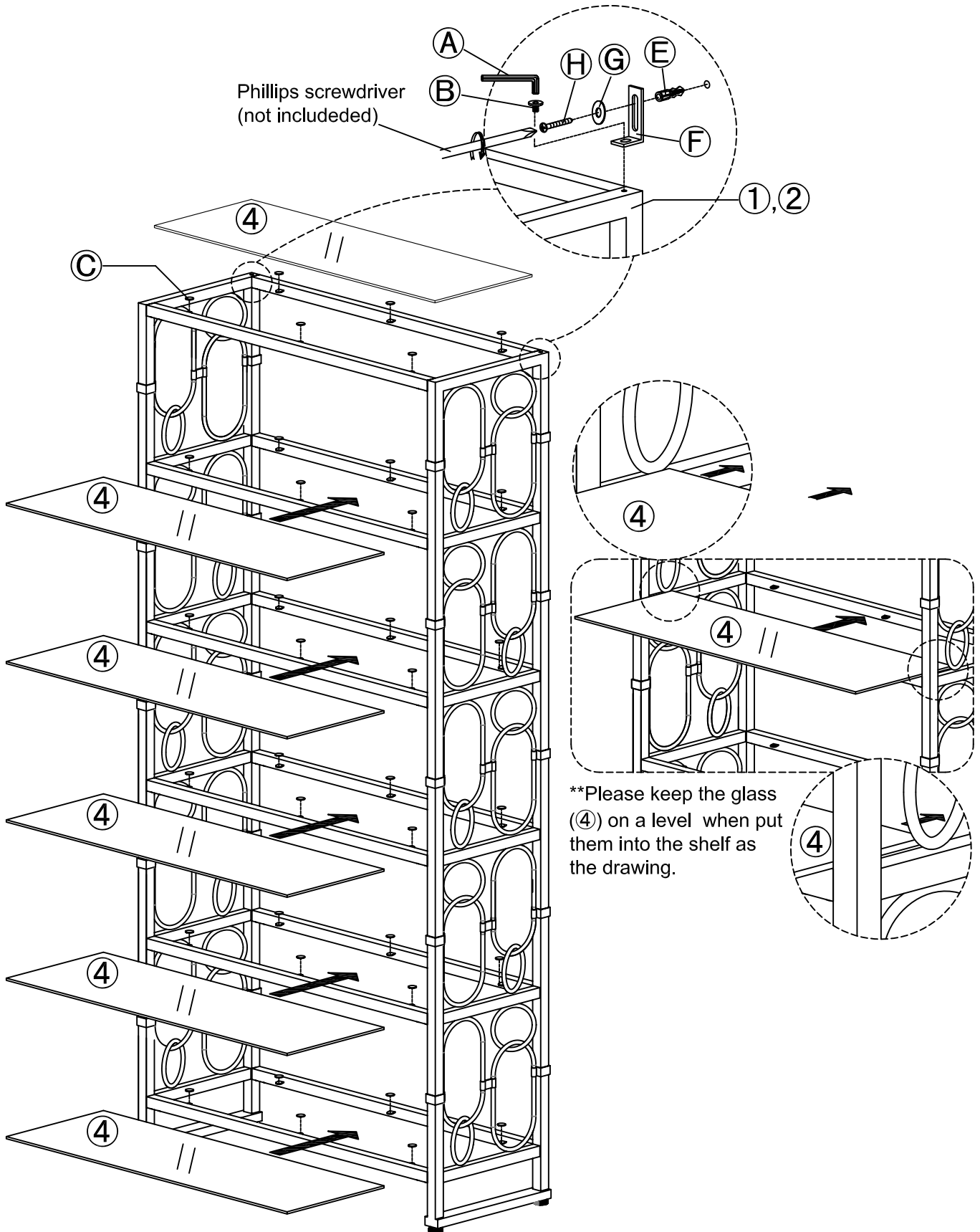
STEP 1



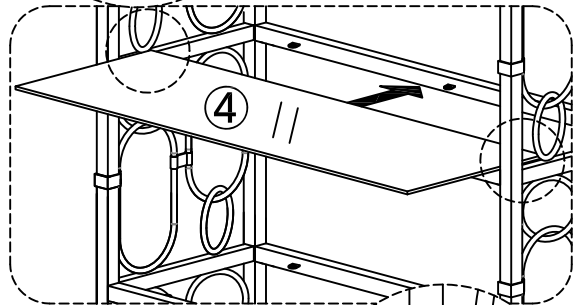
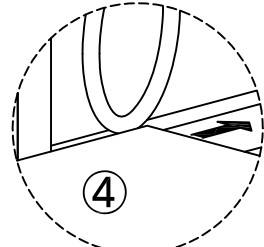
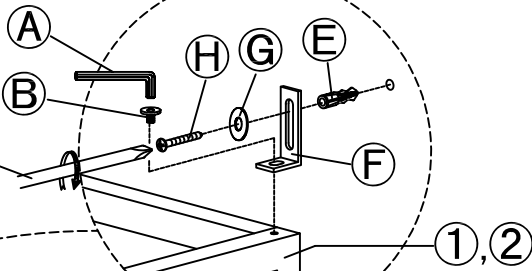
STEP 2



STEP 3



Phillips screwdriver
(not included)



**Please keep the glass (4) on a level when put them into the shelf as the drawing.

