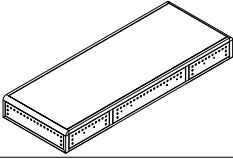
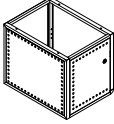
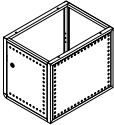
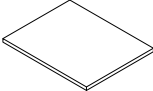



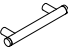


# ASSEMBLY INSTRUCTION FOR ACME FURNITURE






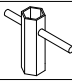



## MODEL# 92430 DESK

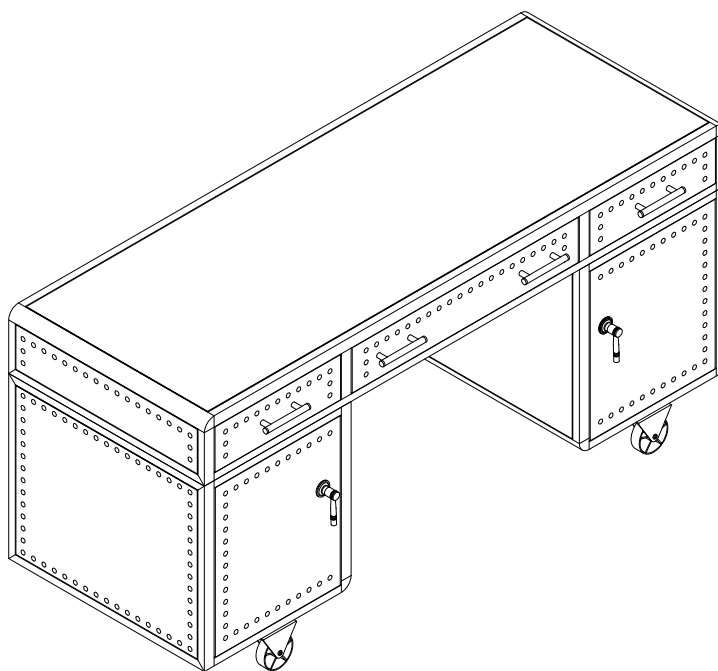
Thank you for purchasing this quality product. Be sure to check all packing materials carefully for small parts which may have come loose inside the carton during shipment. Separate, identify, and count all parts and metal hardware. Compare with parts list to be sure all parts are present. If any part(s) are missing or damaged, please contact your local furniture dealer. For efficient and speedy service, please indicate the model number and code letter of the part(s) needed.

\*\*\* Do not fully tighten screws until fully assembled \*\*\*

COMPONENT PARTS			
DECERPTION	PART NAME		Q'TY(PCS)
①	Desk Top		1pc
②	Left Box	 LEFT	1pc
③	Right Box	 RIGHT	1pc
④	Board		2pcs
⑤	Support		2pcs
⑥	Fittings		2pcs
⑦	Wheel		2pcs
⑧	The Drawer Handle		4pcs

## HARDWARE REQUIRED:

(A) 	Bolt 1/4"x5/8" - 16pcs
(B) 	Bolt 1/4"x1-3/8" - 8pcs
(C) 	Bolt 5/16"x1-5/8" - 2pcs
(D) 	Allen Wrench M4 - 1pc
(E) 	Allen Wrench M5 - 1pc
(F) 	Socket Wrench M10 - 1pc
(G) 	Nut M10 - 2pcs
(H) 	Nut M8 - 2pcs
(I) 	Handle - 2pcs



### Attention:

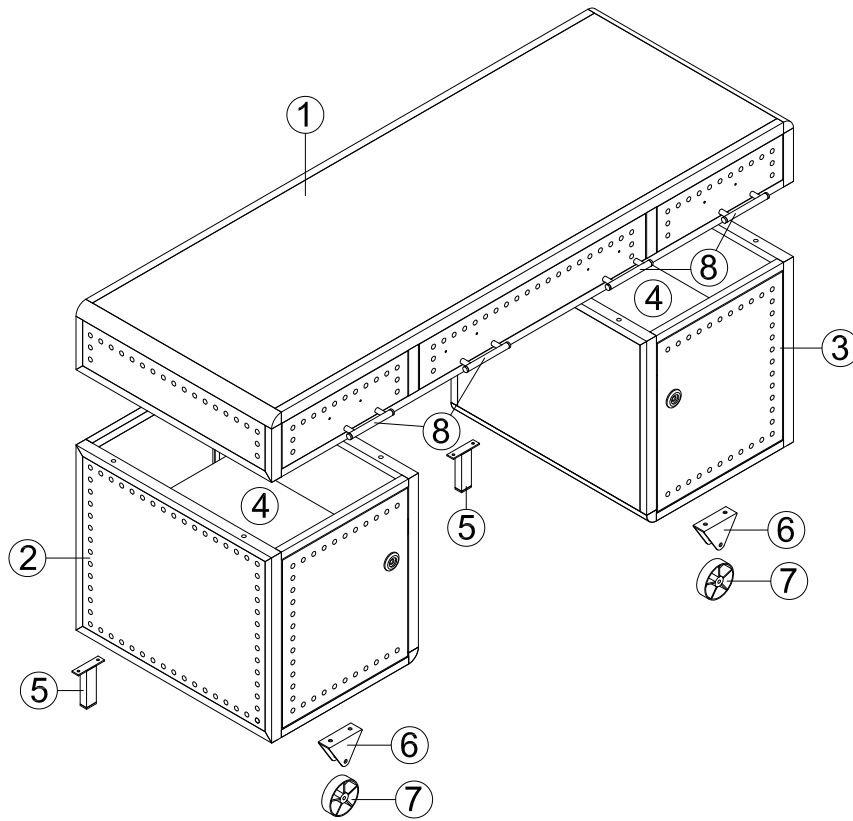
\*\*\*Mattresses not included.

\*\*\*Some number parts listed on the instruction sheet may not be in parts bag as they may already be assemble.  
Carefully check parts and packing materials prior to ordering replacements.

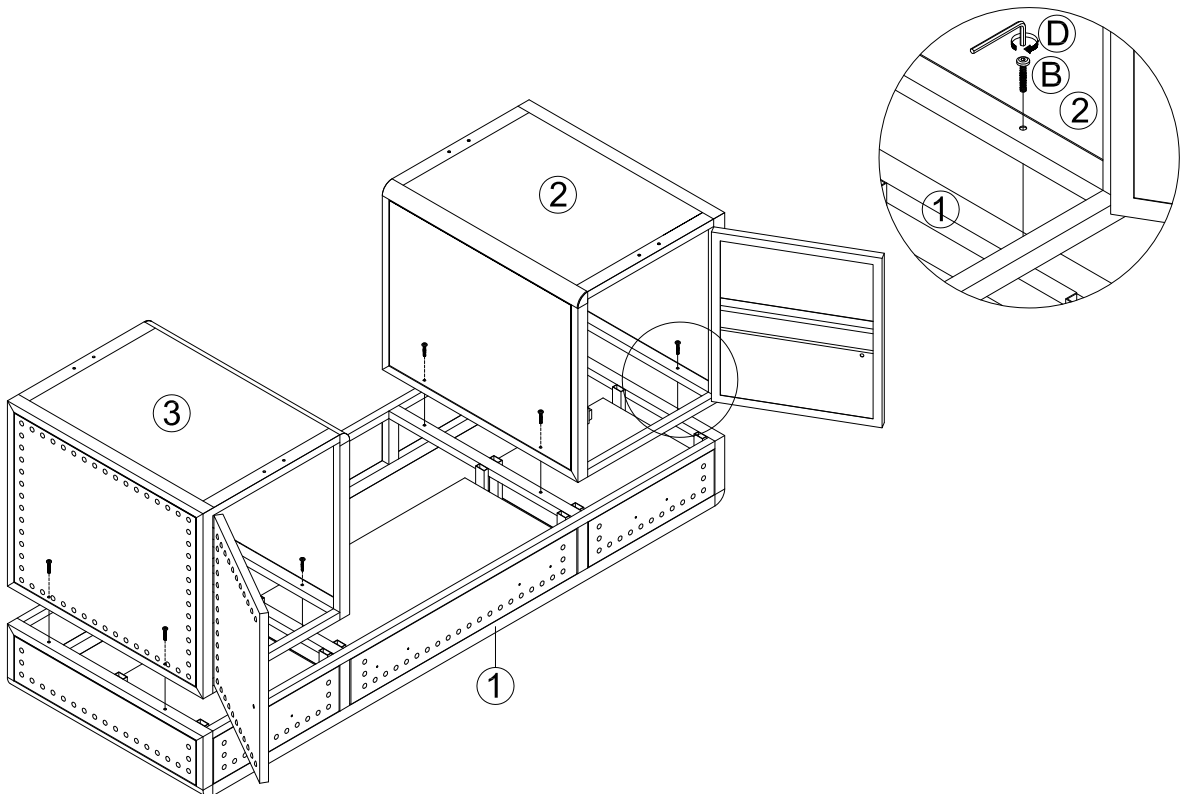
# How to Assemble:

## STEP 1.

### Exploded View



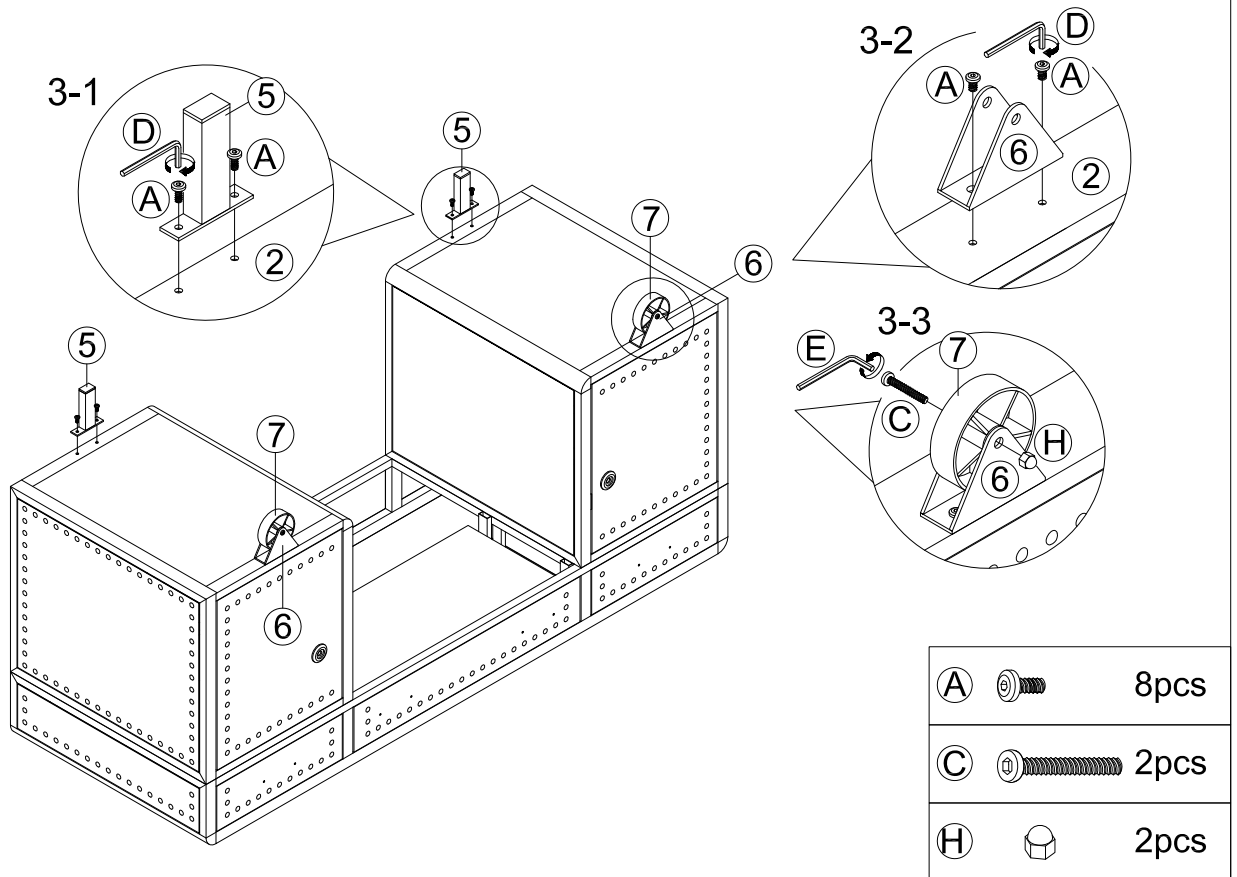
## STEP 2.



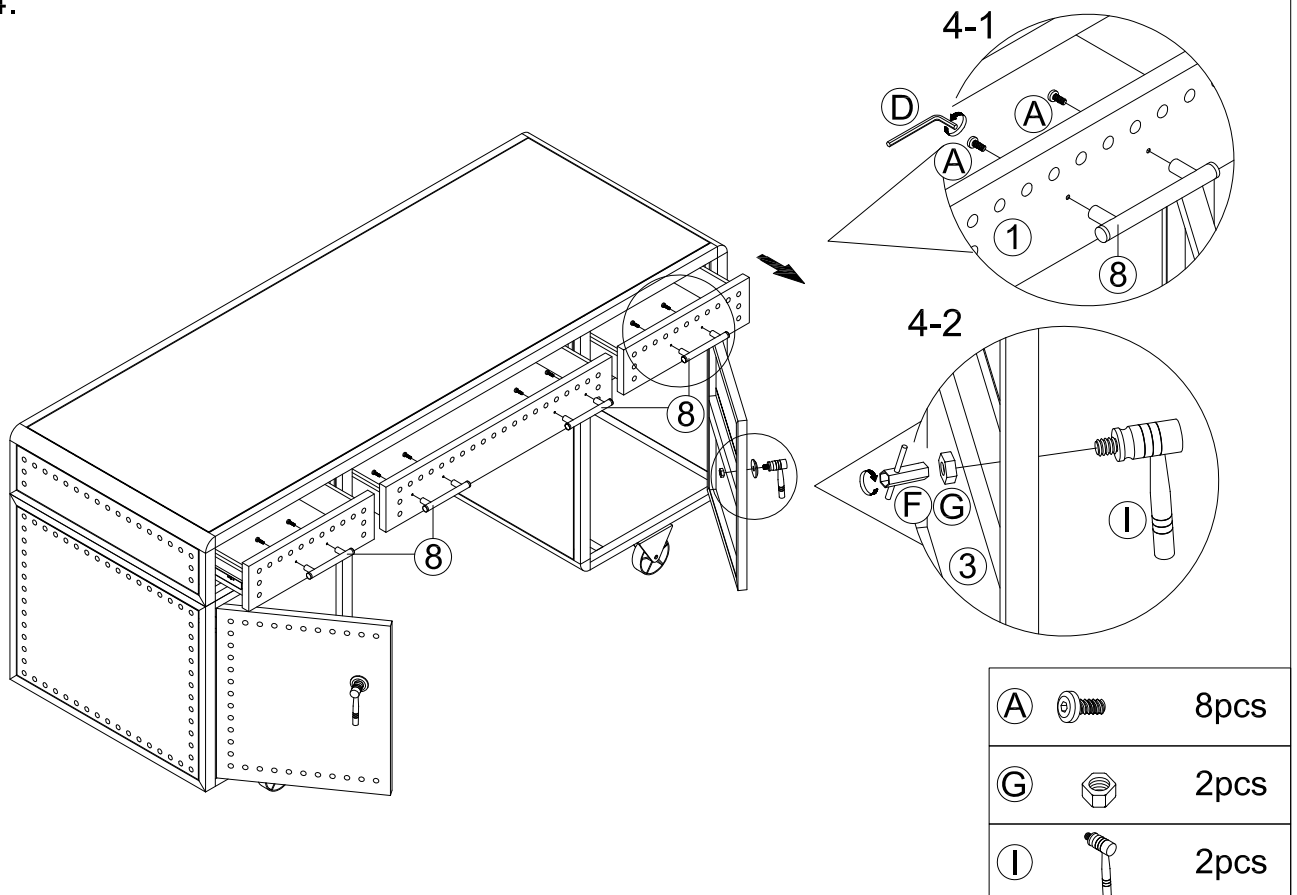
(B)  8pcs

# How to Assemble:

## STEP 3.

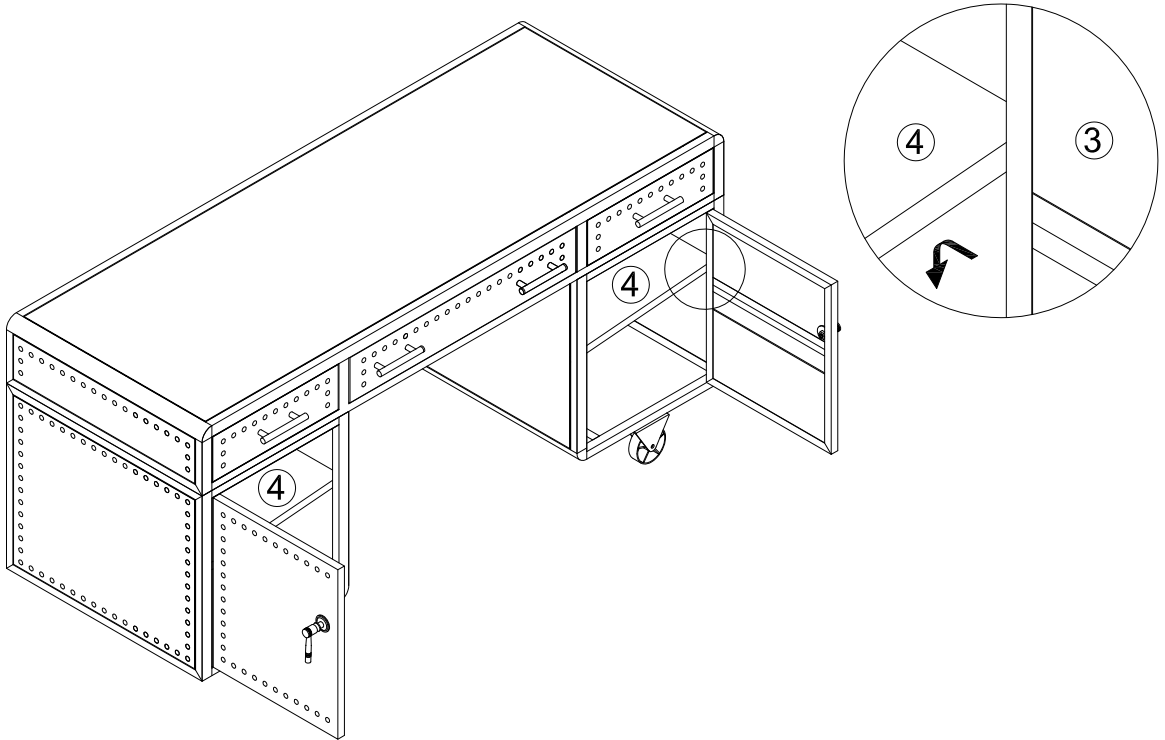


## STEP 4.



## How to Assemble:

### STEP 5.



### STEP 6.

