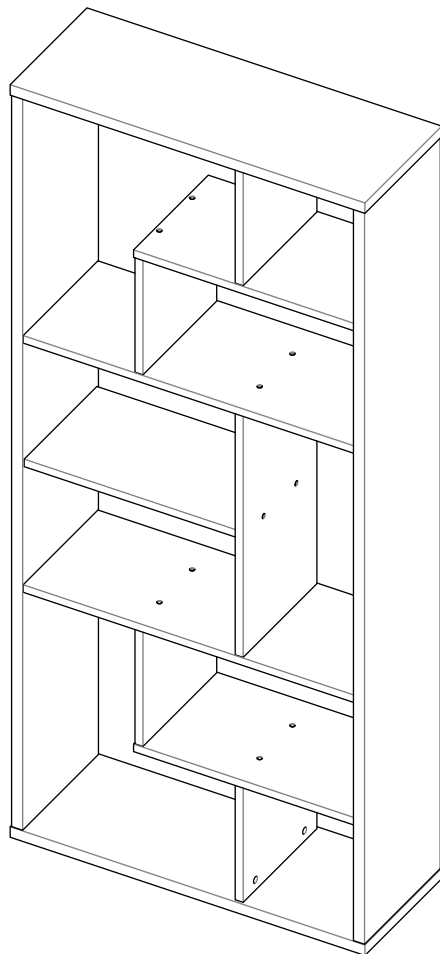


ASSEMBLY INSTRUCTIONS

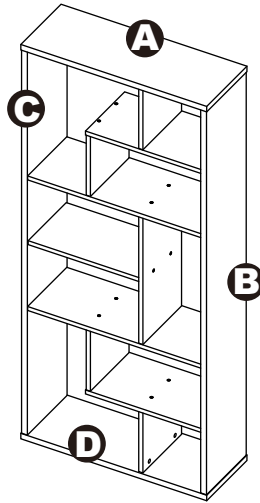
92358/92404



BOOKCASE

BOOKCASE

92358/92404

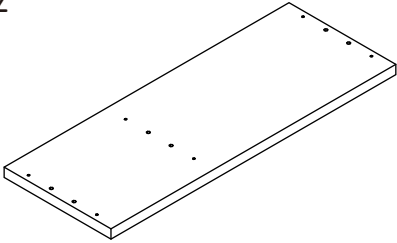


DIMENSIONS

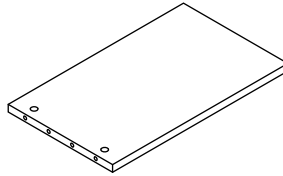
Width - 31.5"
Depth - 11.81"
Height - 70.87"

PARTS LIST

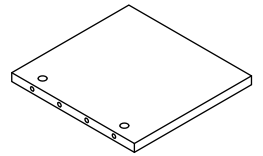
A X2



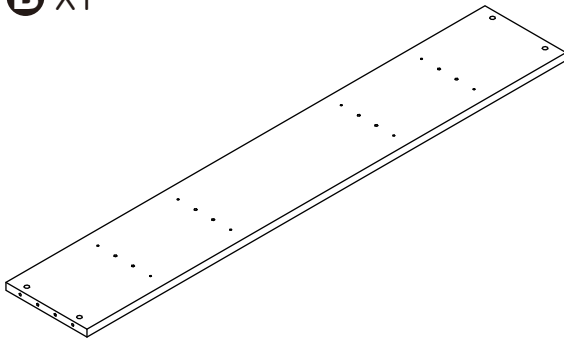
D X1



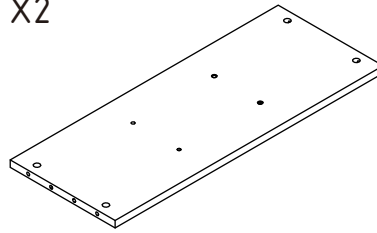
H X2



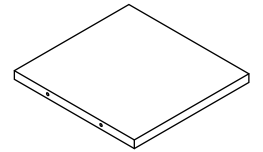
B X1



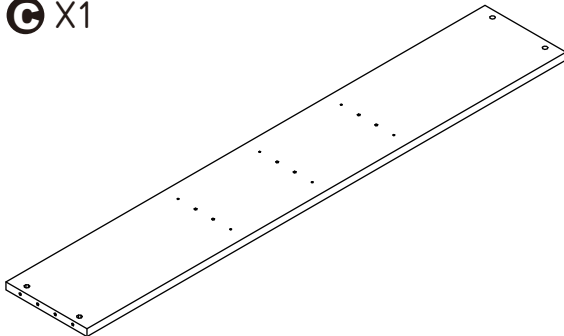
E X2



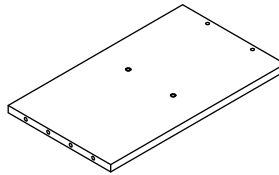
I X2



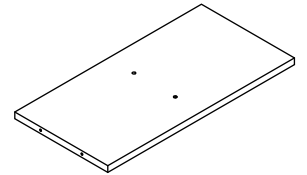
C X1



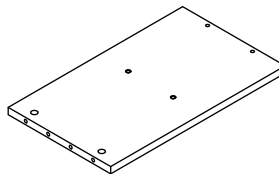
F X1



J X1



G X1



HARDWARE LIST

1 X26



2 X26



3 X26



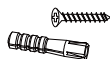
4 X18



5 X1



6 X1

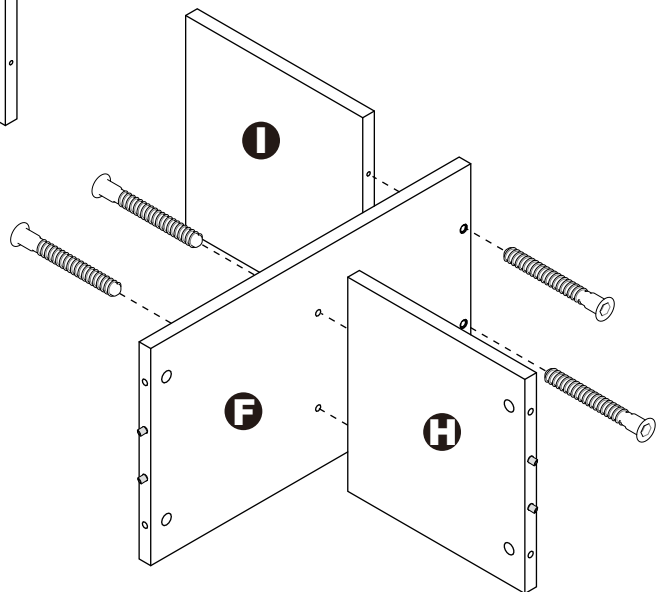
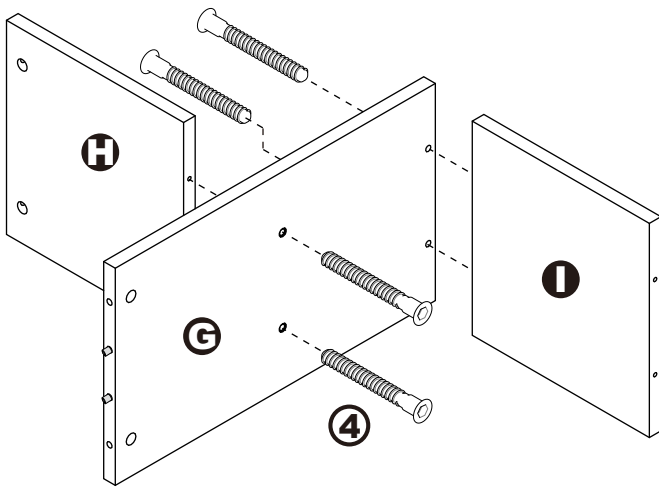
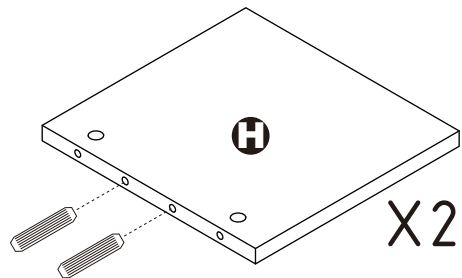
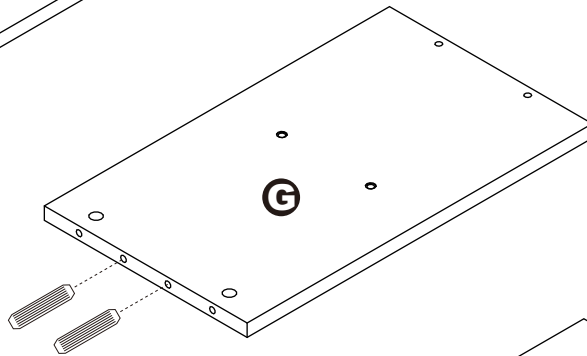
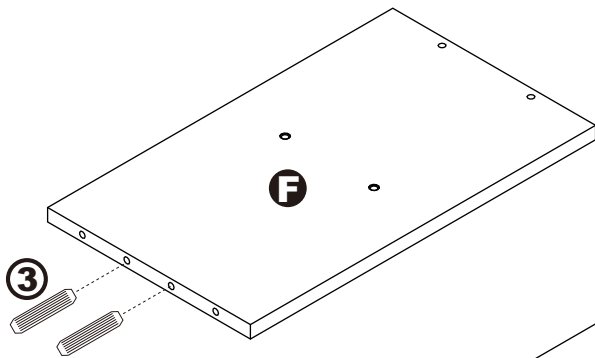
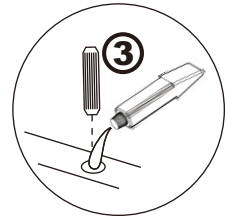


7 X1



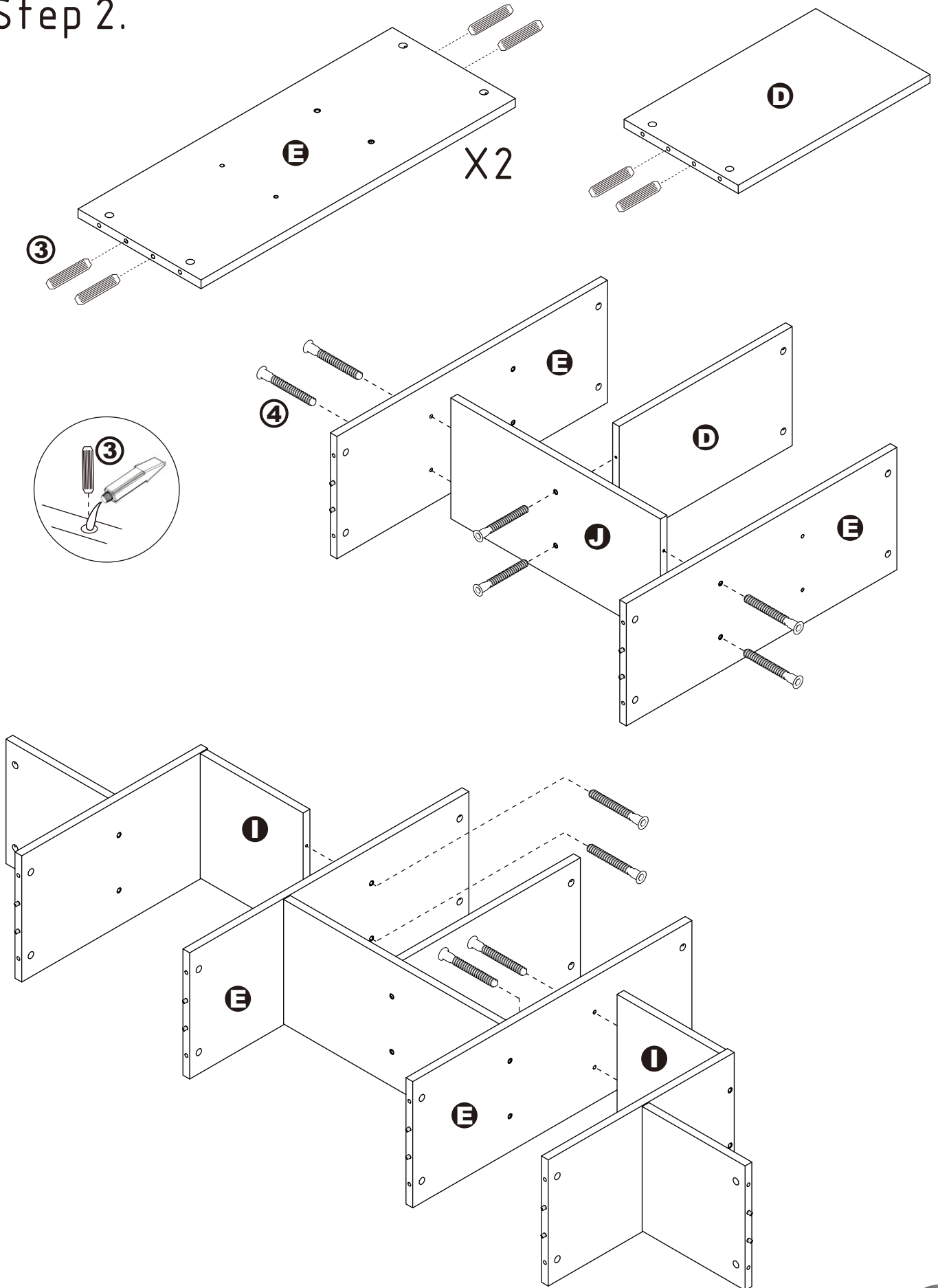
ASSEMBLY INSTRUCTIONS

Step 1.



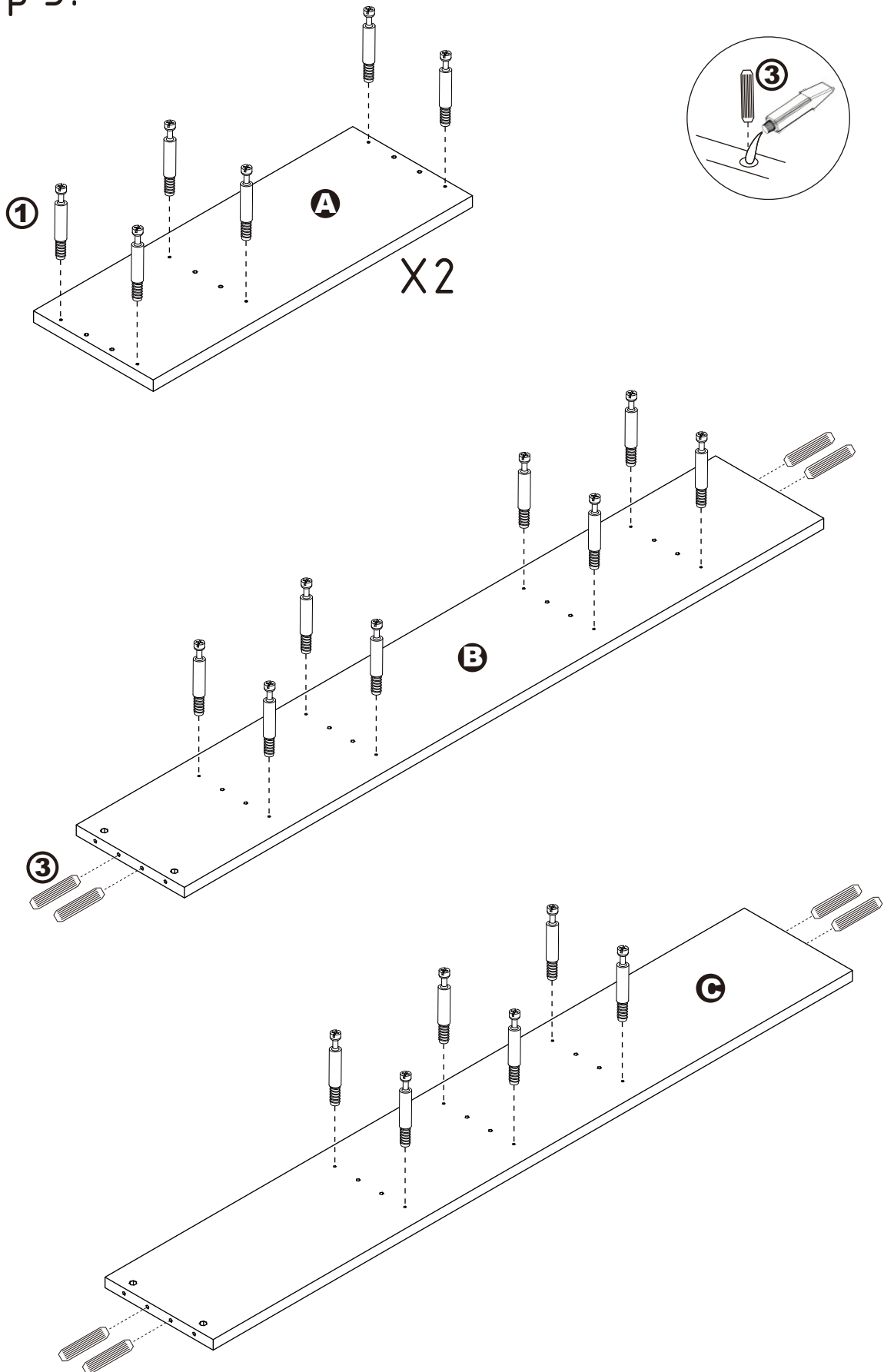
ASSEMBLY INSTRUCTIONS

Step 2.



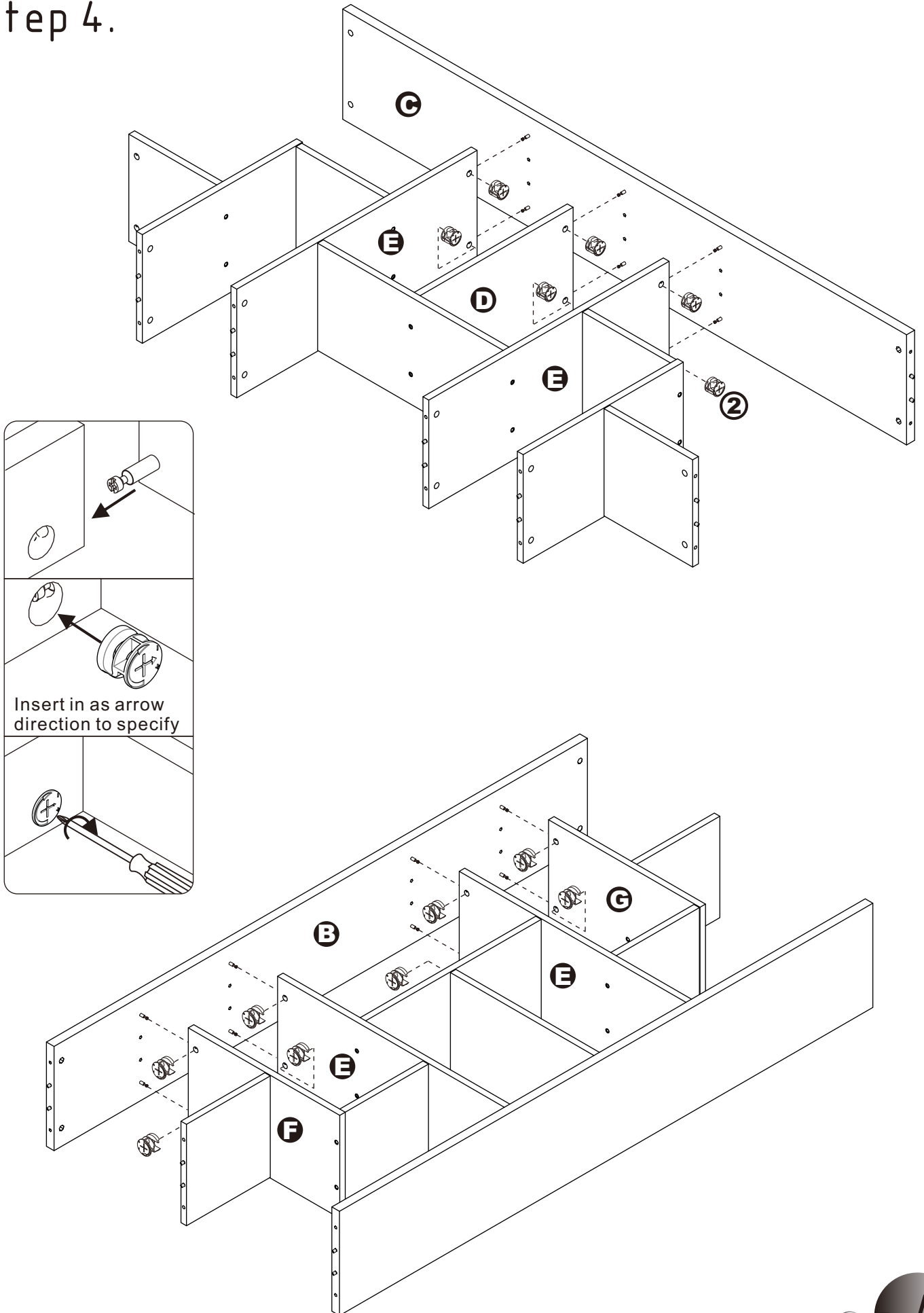
ASSEMBLY INSTRUCTIONS

Step 3.



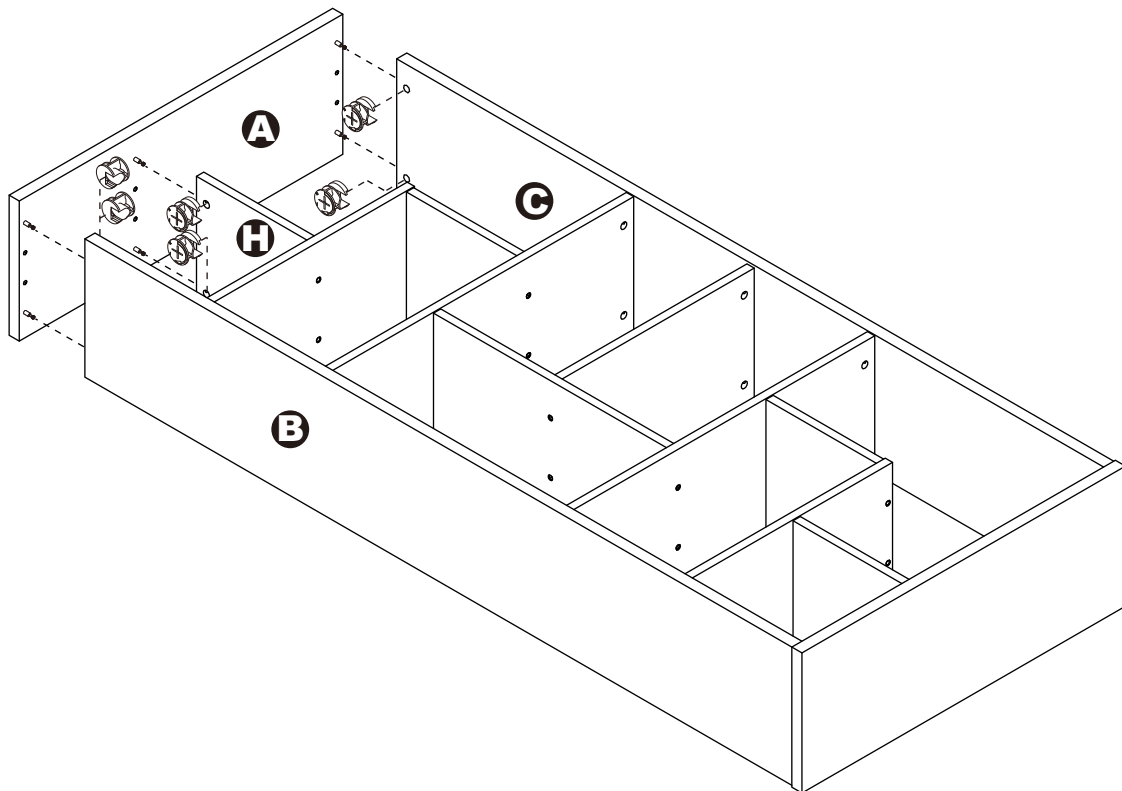
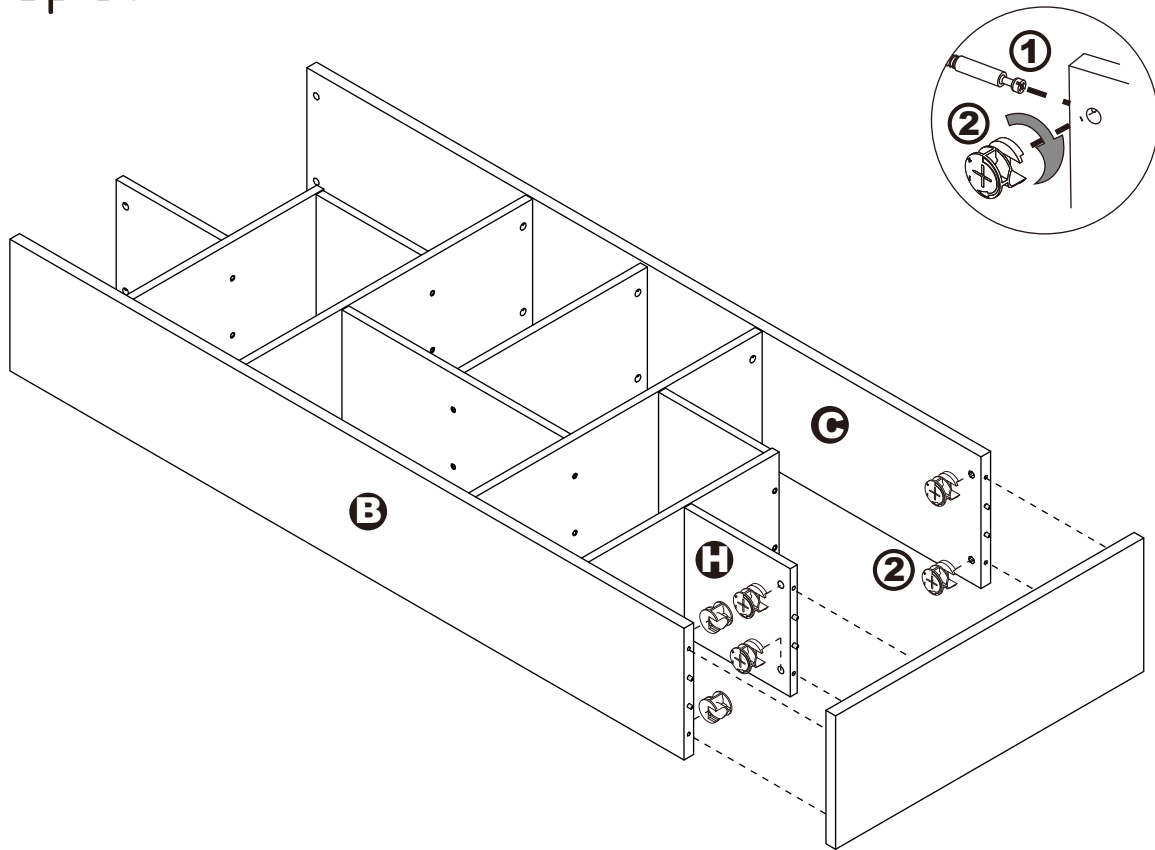
ASSEMBLY INSTRUCTIONS

Step 4.



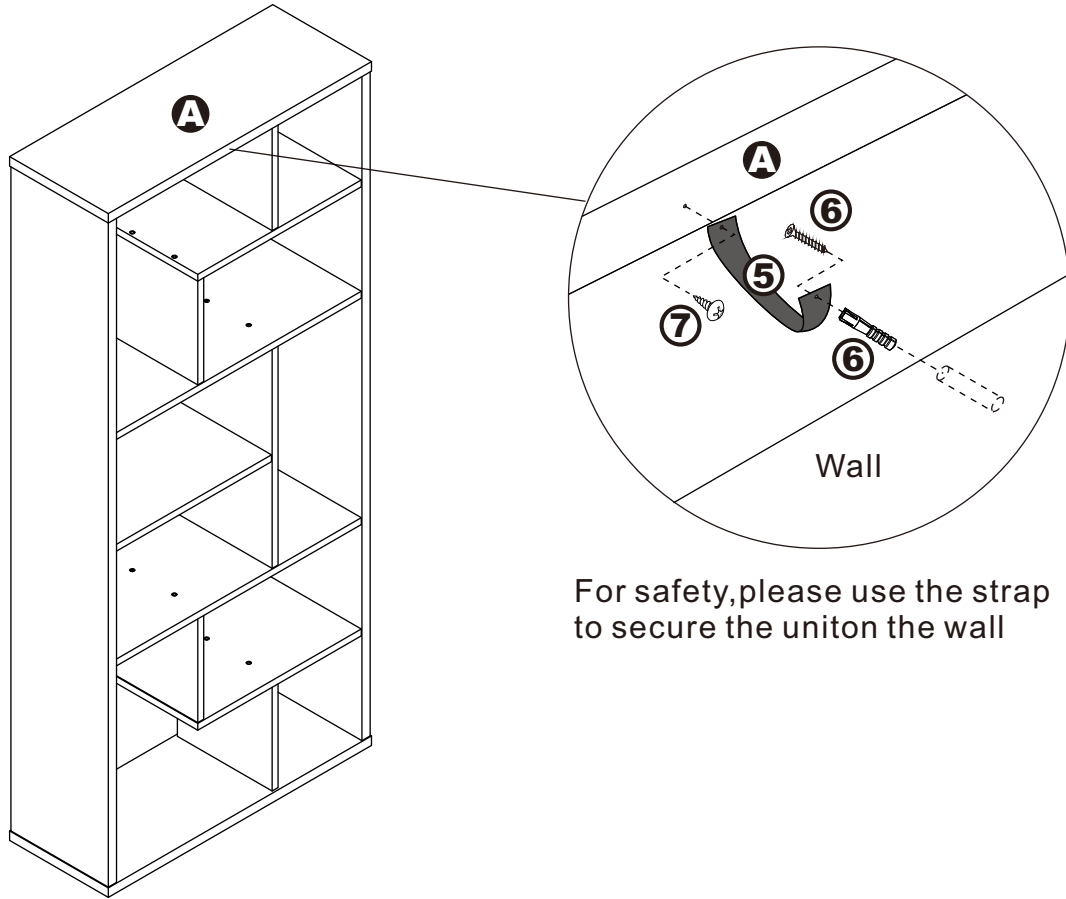
ASSEMBLY INSTRUCTIONS

Step 5.



ASSEMBLY INSTRUCTIONS

Step 6.



For safety, please use the strap to secure the unit on the wall

ASSEMBLY IS COMPLETED

Make sure the product is rested on a flat surface and does not feel loose or wobbly. If it does, double check that the bolts/screws are secured and properly tightened.