

ASSEMBLY INSTRUCTIONS FOR ACME FURNITURE

MODEL # 82930

Thank you for purchasing the quality product . Be sure to check all packing material for small parts which may have come loose inside the carton during shipment . Separate , identify and count all parts and metal hardware . Compare with all parts list to be sure all parts are present . If any part(s) are missing or damaged please contact your local furniture dealer . For efficient and speedy service , please indicate the model number and code letter of part(s) need.

*** Do not fully tighten screws until fully assembled ***

| | COMPONENT PARTS | |
|-------------|------------------|------------|
| DESCRIPTION | PART NAME | Q'TY (PCS) |
| ① | COFFEE TABLE TOP | 1 |
| ② | COFFEE TABLE LEG | 4 |
| ③ | END TABLE TOP | 2 |
| ④ | END TABLE LEG | 8 |

HARDWARES REQUIRED

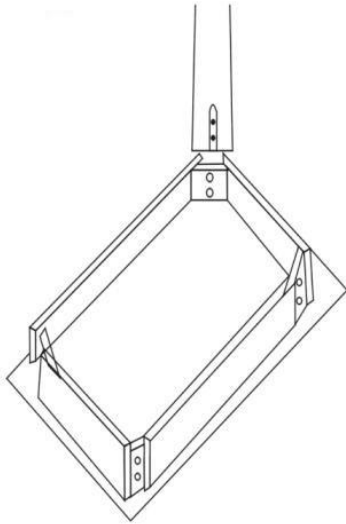
-  ALLEN KEY × 1PCS
-  WASHERS × 24PCS
-  SPRING WASHERS × 24PCS
-  ALLEN HEAD BOLTS × 24PCS

Attention :

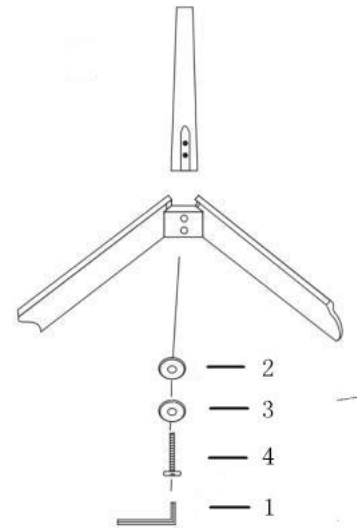
*** some number parts listed in the instruction sheet may not be in parts bag as they may already be assembled . Carefully check parts and packing materials prior to ordering replacements .

How to assemble :

STEP 1:



STEP 2:



STEP 3:

