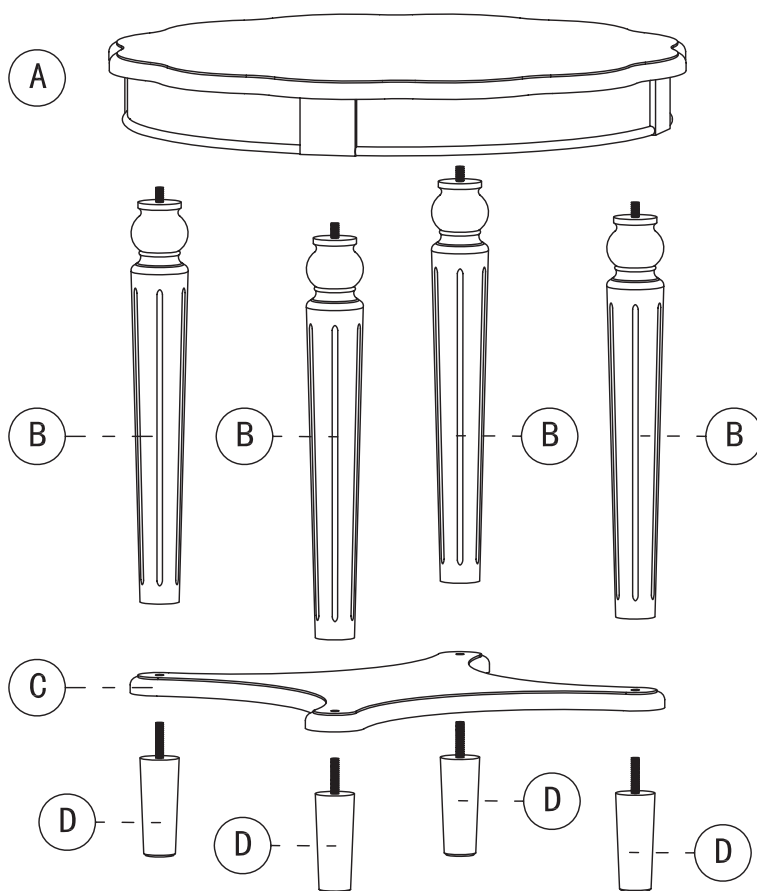
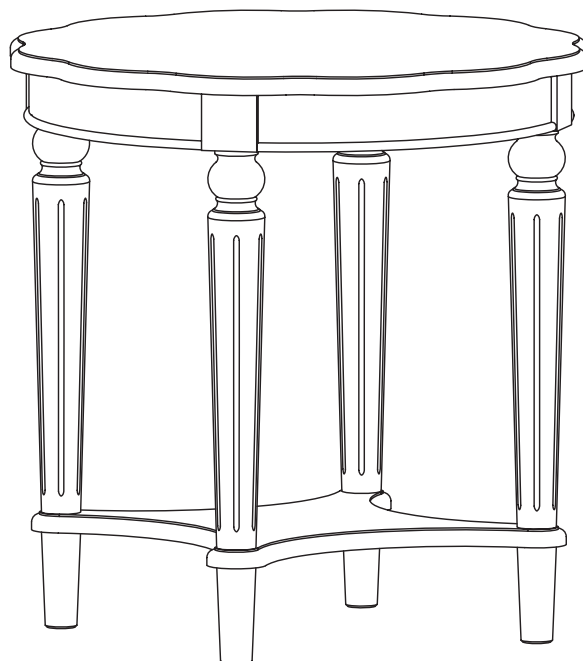
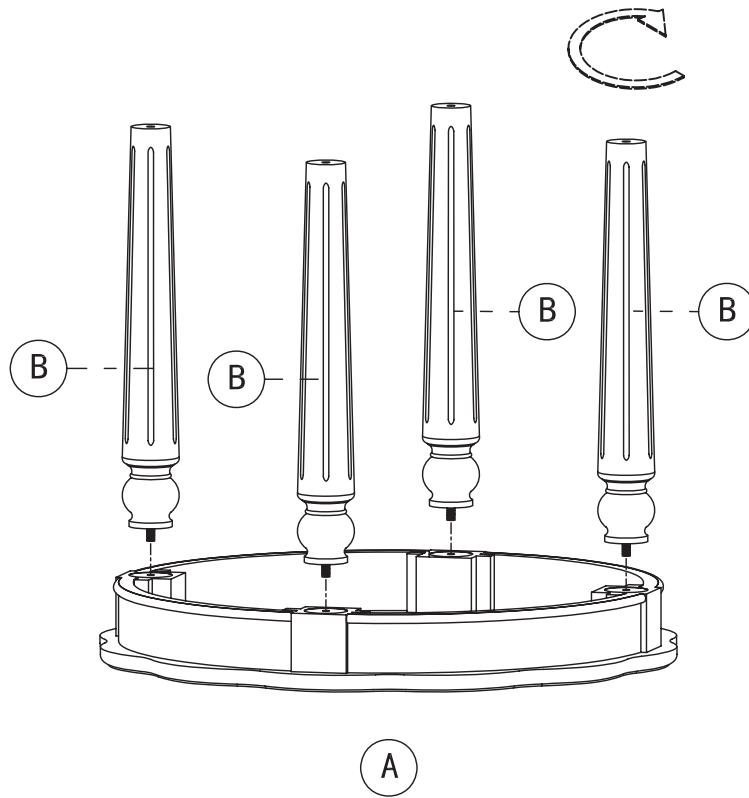


Round table
Item no. 82917/82912/82922



Step 1



Don't tighten Part B until part C align with part B

Step 2

