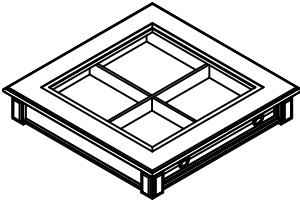

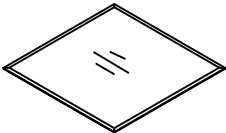
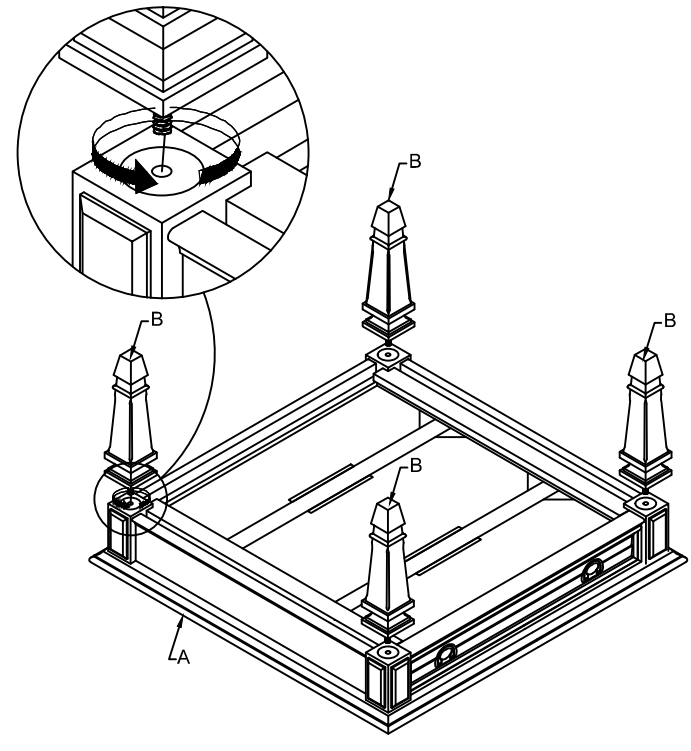
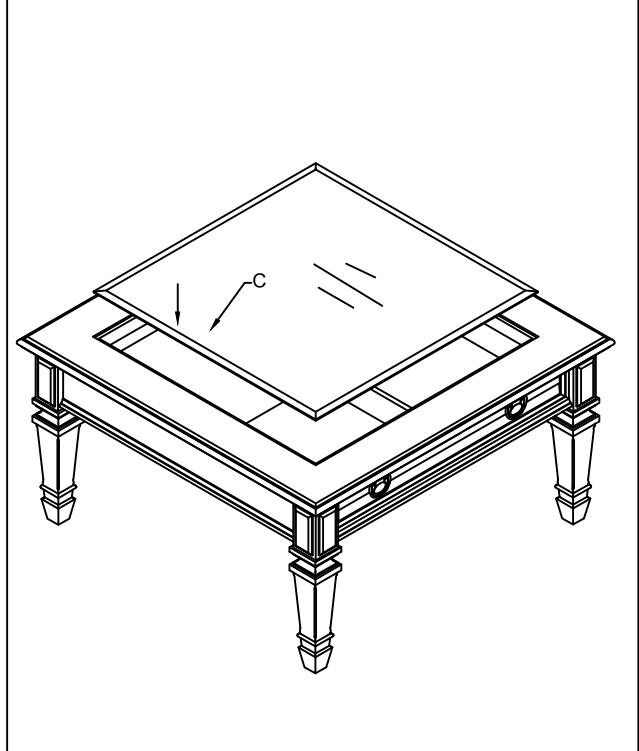


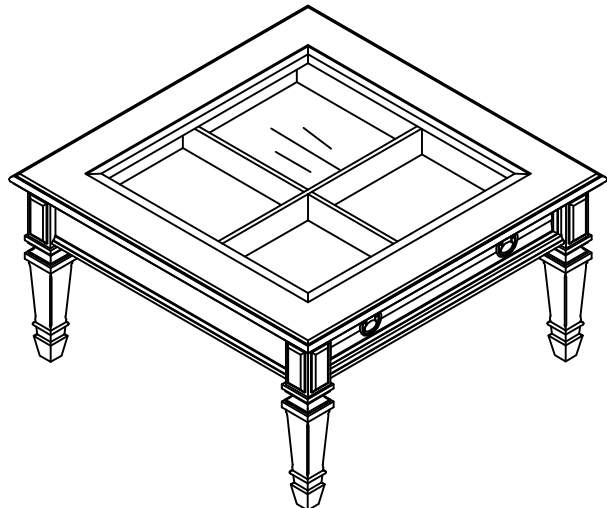
ACME

ASSEMBLY INSTRUCTION

MODEL : 80530/80535		
NO.	PART LIST	Q'TY
A	TABLE TOP 	1pc
B	TABLE LEG 	4pcs
C	SURFACE GLASS 	1pc







NOTE: Due to the shrinkage & expansion nature of the lumber used on this quality product, thus please re-check the tightness of all screws every 6-8 weeks