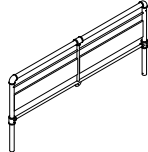
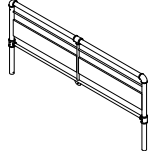
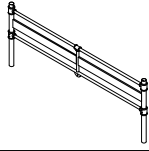

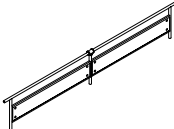
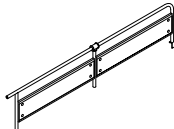
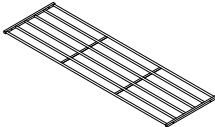
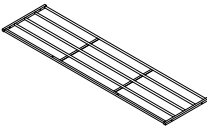






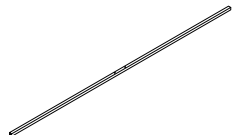

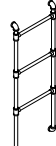
ASSEMBLY INSTRUCTION FOR ACME FURNITURE

MODEL# 37730 Q/Q BUNK BED








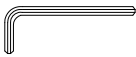
Thank you for purchasing this quality product. Be sure to check all packing materials carefully for small parts which may have come loose inside the carton during shipment. Separate, identify, and count all parts and metal hardware. Compare with parts list to be sure all parts are present. If any part(s) are missing or damaged, please contact your local furniture dealer. For efficient and speedy service, please indicate the model number and code letter of the part(s) needed.

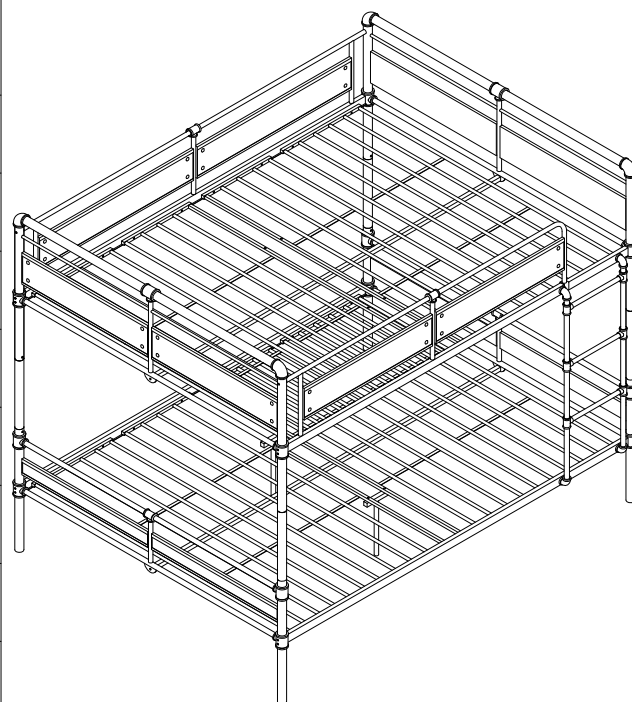
***** Do not fully tighten screws until fully assembled *****

COMPONENT PARTS		
DECERPTION	PART NAME	Q'TY(PCS)
①	HB upper Left 	1pc
②	HB upper Right 	1pc
③	HB down 	2pcs
④	Connection Tube 	4pcs
⑤	Back Guardrail 	1pc
⑥	Front Guardrail 	1pc
⑦	Side bedboard 	4pcs
⑧	Middle bedboard 	4pcs
⑨	Upper back tube 	1pc

⑩	Upper front tube		1pc
⑪	Down back tube		1pc
⑫	Down front tube		1pc
⑬	Horizontal tube		2pcs
⑭	Support tube		4pcs
⑮	Ladder		1pc

HARDWARE REQUIRED:

Ⓐ		Bolt 1/4"x5/8" - 8pcs
Ⓑ		Bolt 1/4"x1" - 44pcs
Ⓒ		Bolt 1/4"x1-1/4" - 4pcs
Ⓓ		Bolt 1/4"x1-3/8" - 4pcs
Ⓔ		Bolt 1/4"x2-1/8" - 6pcs
Ⓕ		Bolt 1/4"x3" - 19pcs
Ⓖ		Cover Ø38x3.0 - 8pcs
Ⓗ		Allen Wrench M4 - 1pc



Attention:

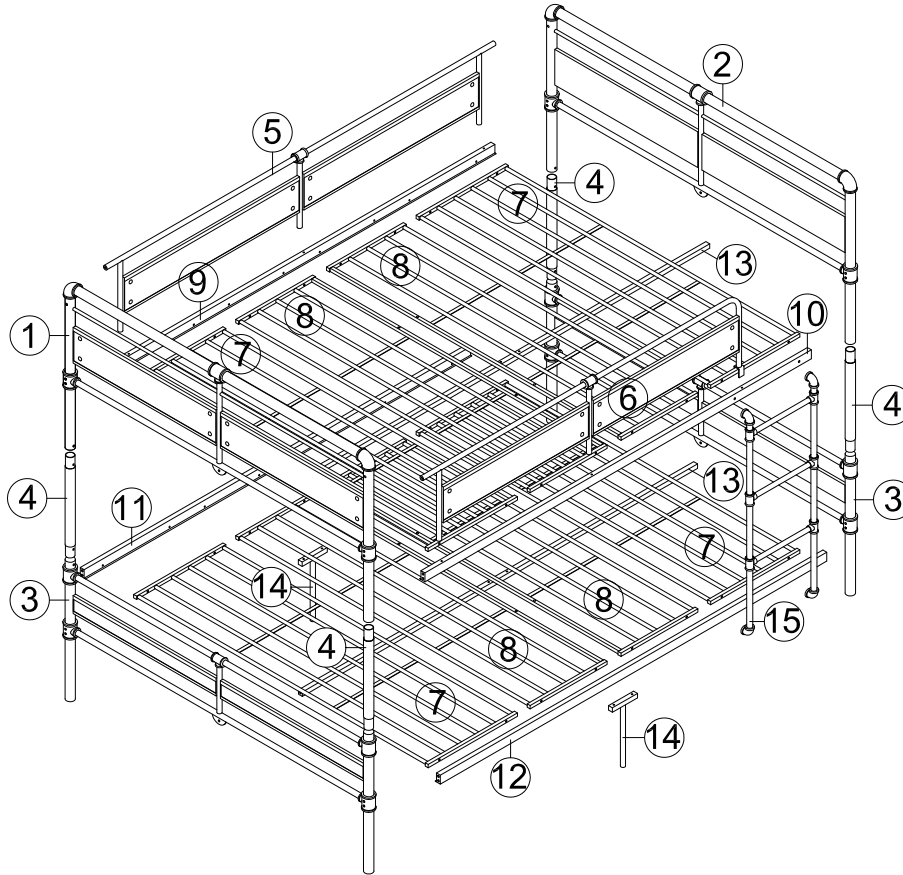
***Mattresses not included.

***Some number parts listed on the instruction sheet may not be in parts bag as they may already be assemble. Carefully check parts and packing materials prior to ordering replacements.

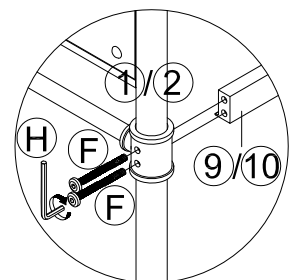
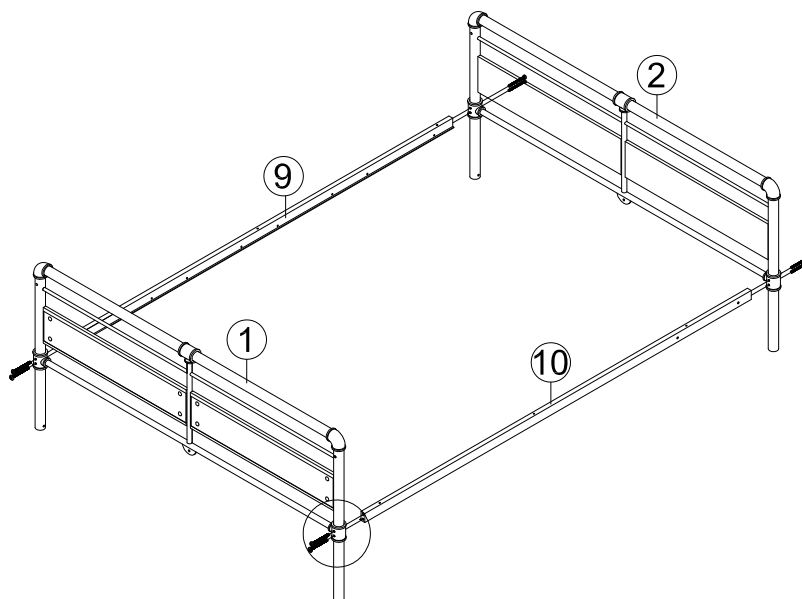
How to Assemble:

STEP 1.

Exploded View



STEP 2.

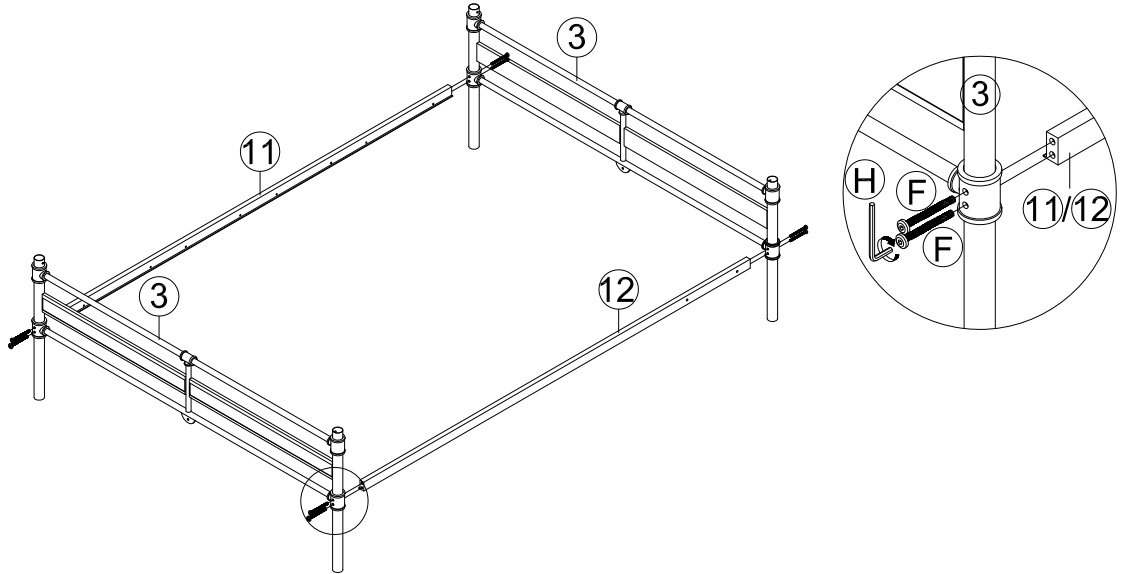


DO NOT TIGHTEN THE SCREWS UNTIL ASSEMBLING THE FINAL STEP.

F  8pcs

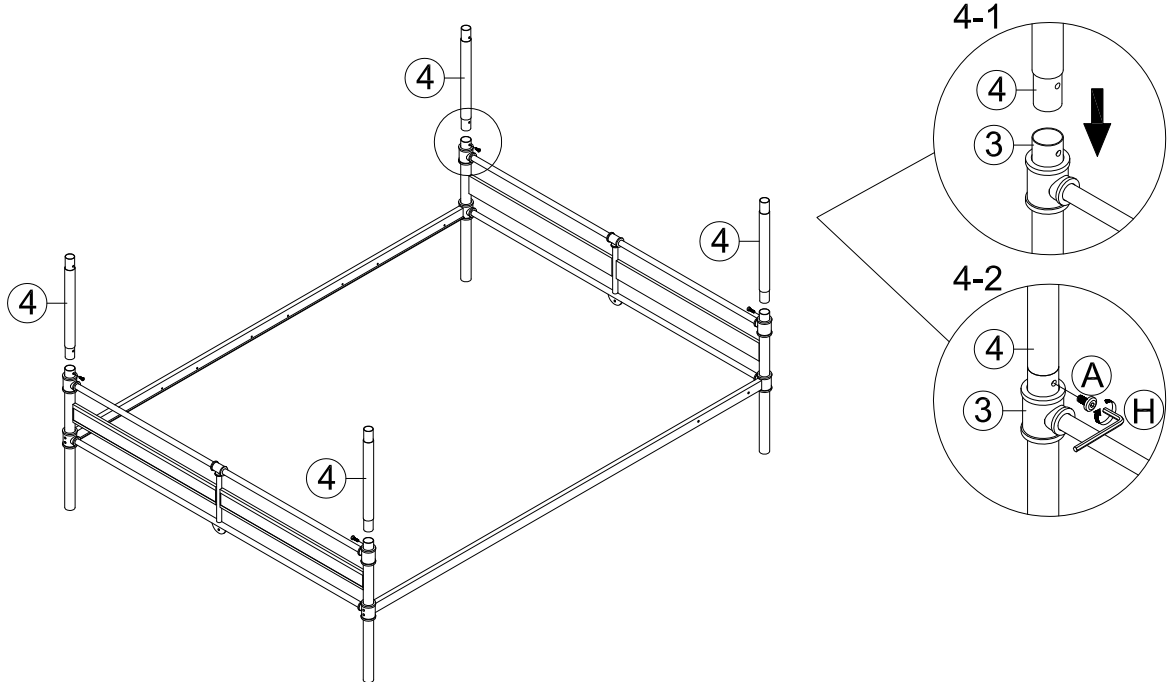
How to Assemble:

STEP 3.



F  8pcs

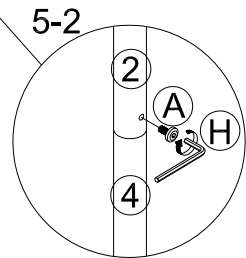
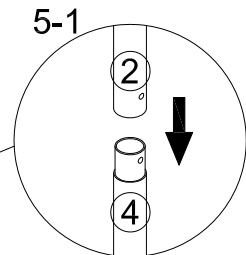
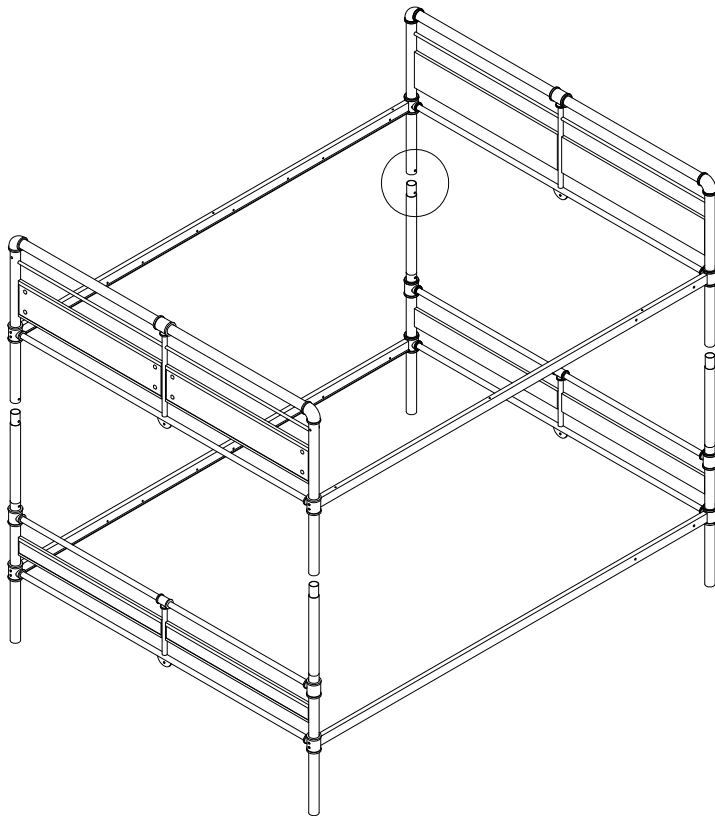
STEP 4.



A  4pcs

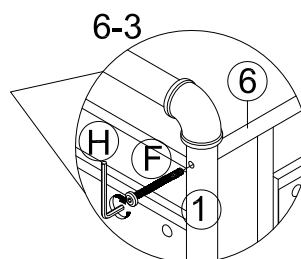
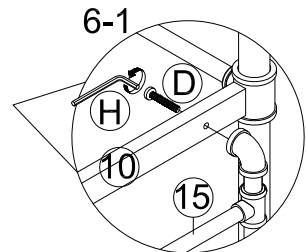
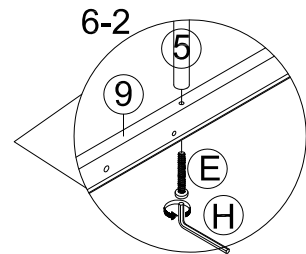
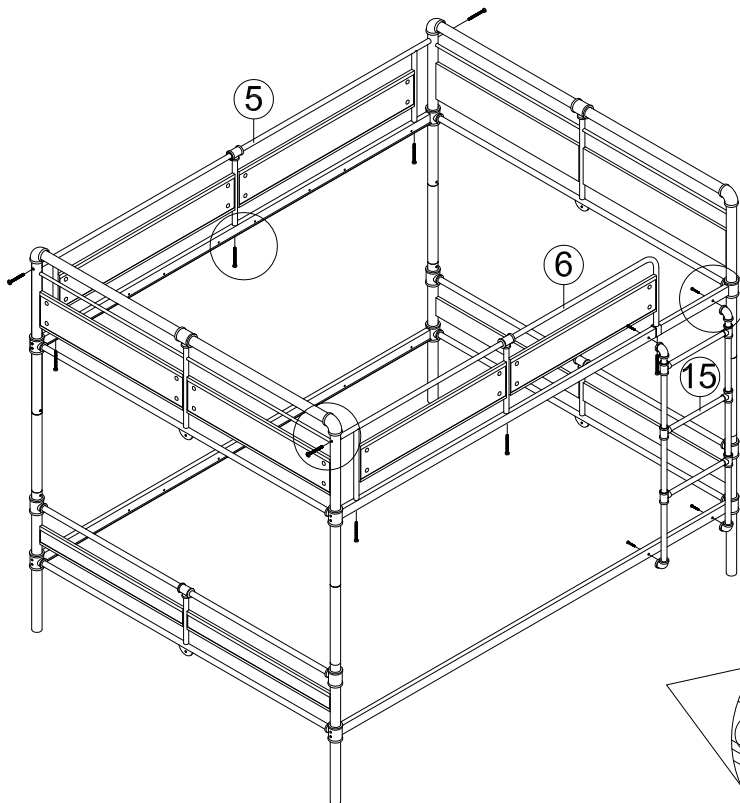
How to Assemble:

STEP 5.



(A)  4pcs

STEP 6.



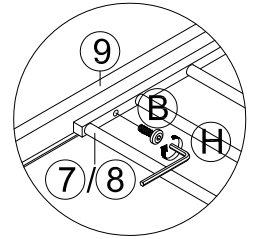
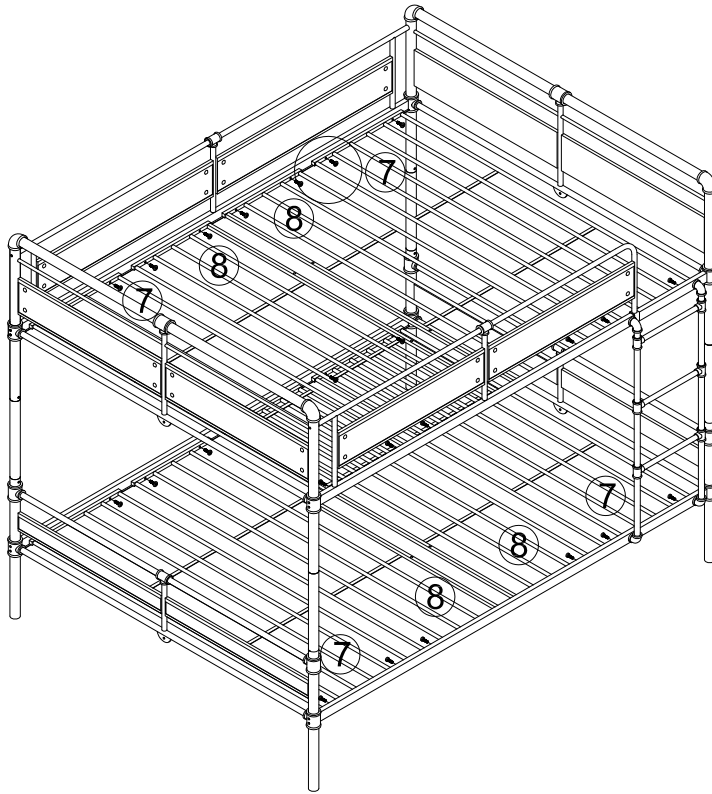
(D)  4pcs

(E)  6pcs

(F)  3pcs

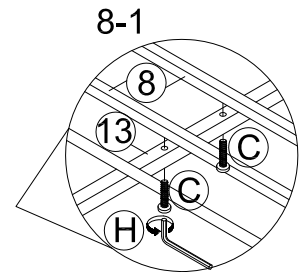
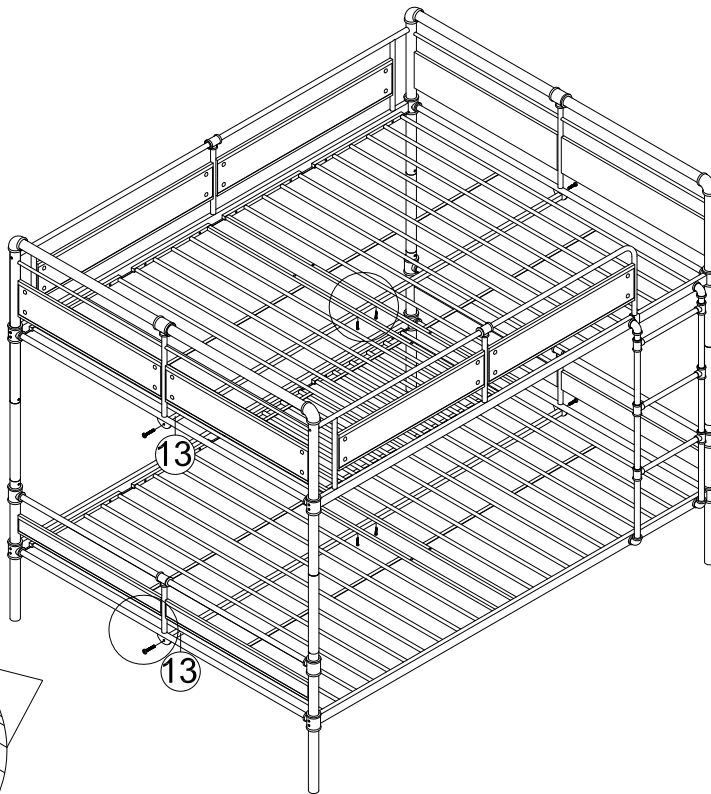
How to Assemble:

STEP 7.



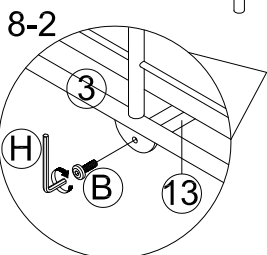
B  32pcs

STEP 8.



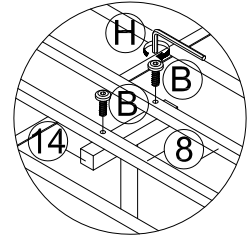
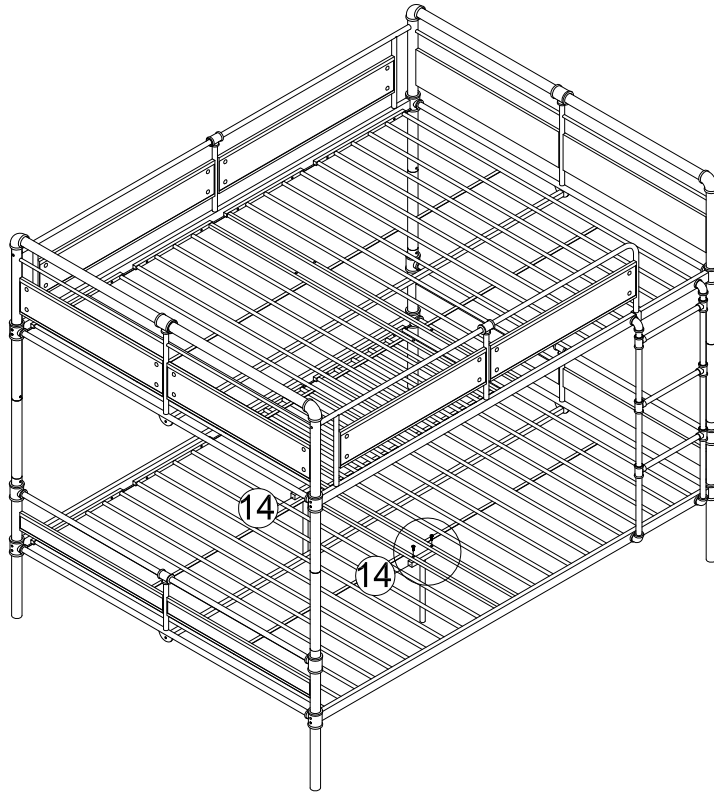
B  4pcs


C  4pcs



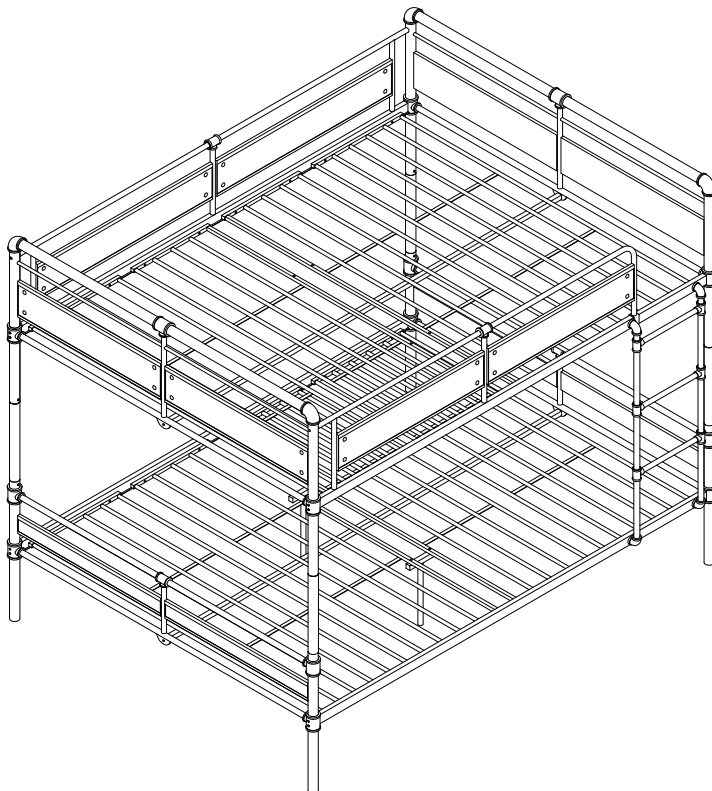
How to Assemble:

STEP 9.



(B)  4pcs

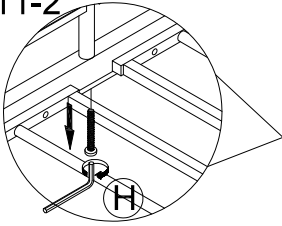
STEP 10.



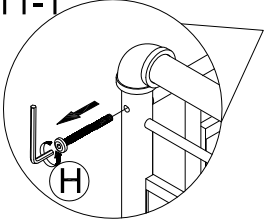
How to Assemble:

STEP 11.

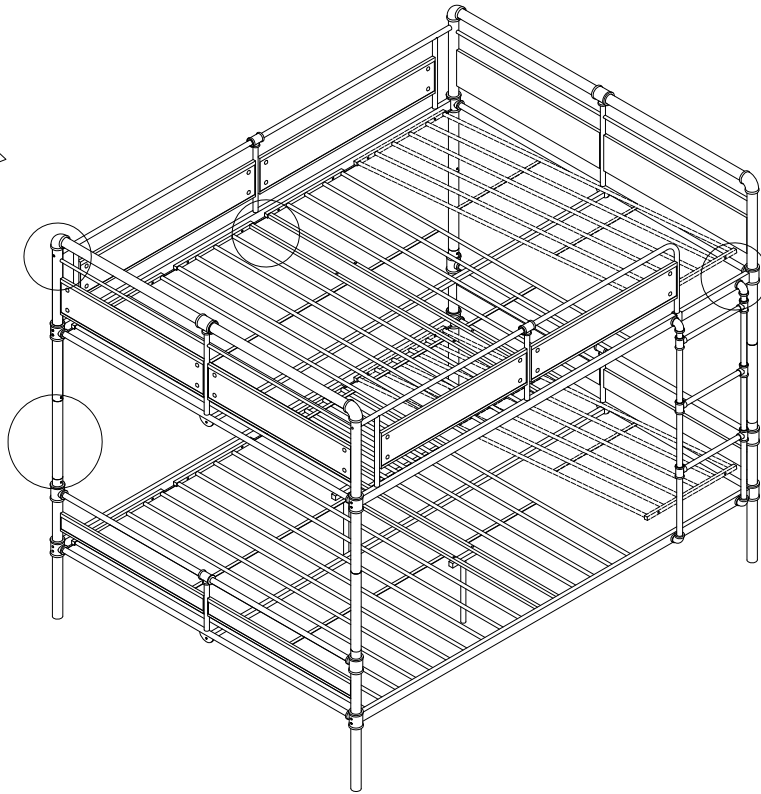
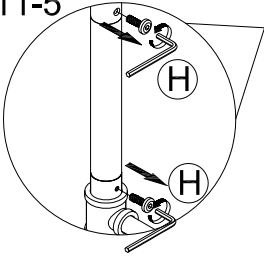
11-2



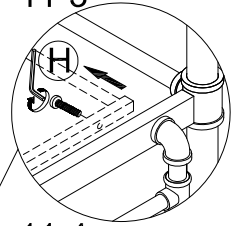
11-1



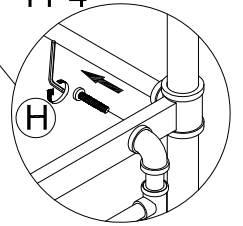
11-5



11-3

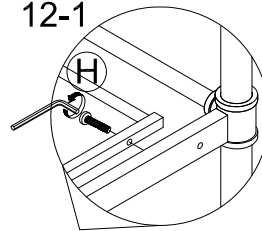


11-4

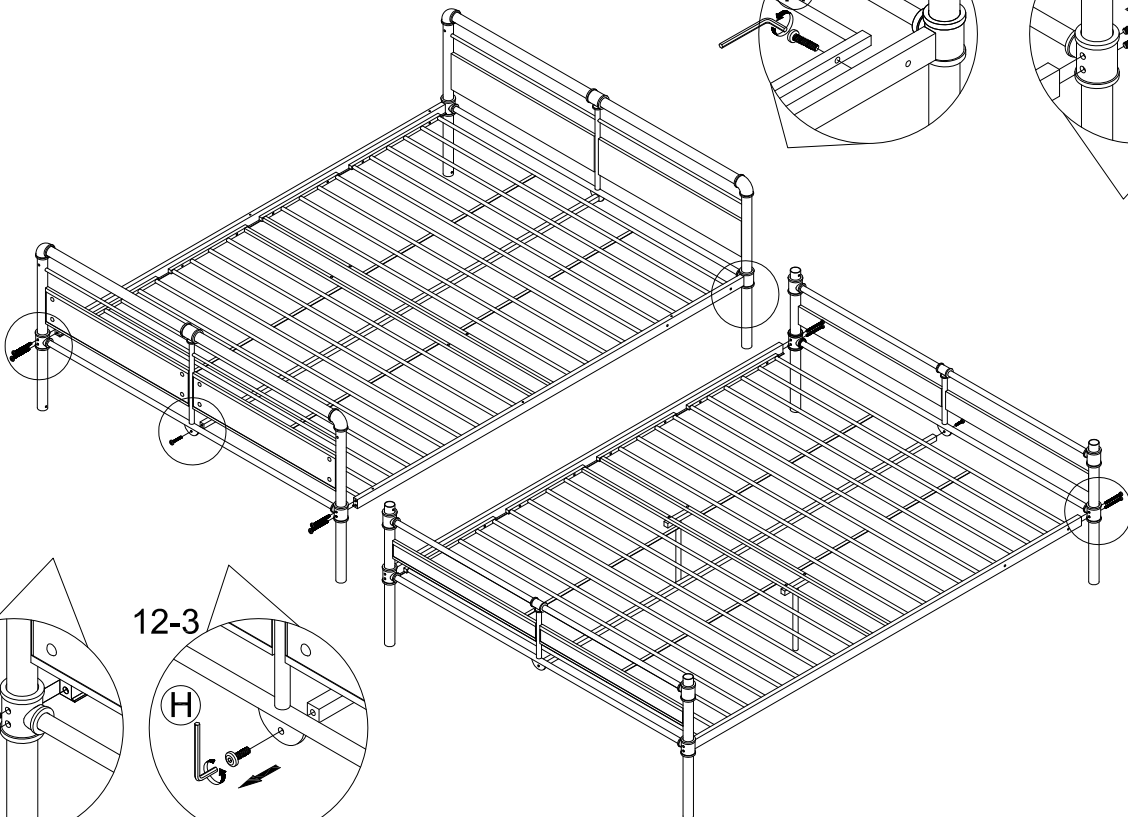
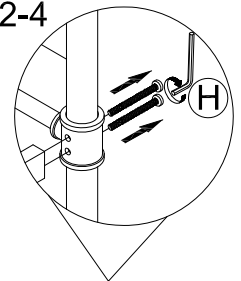


STEP 12.

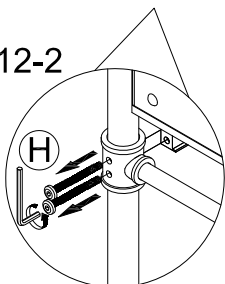
12-1



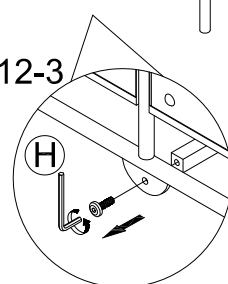
12-4



12-2

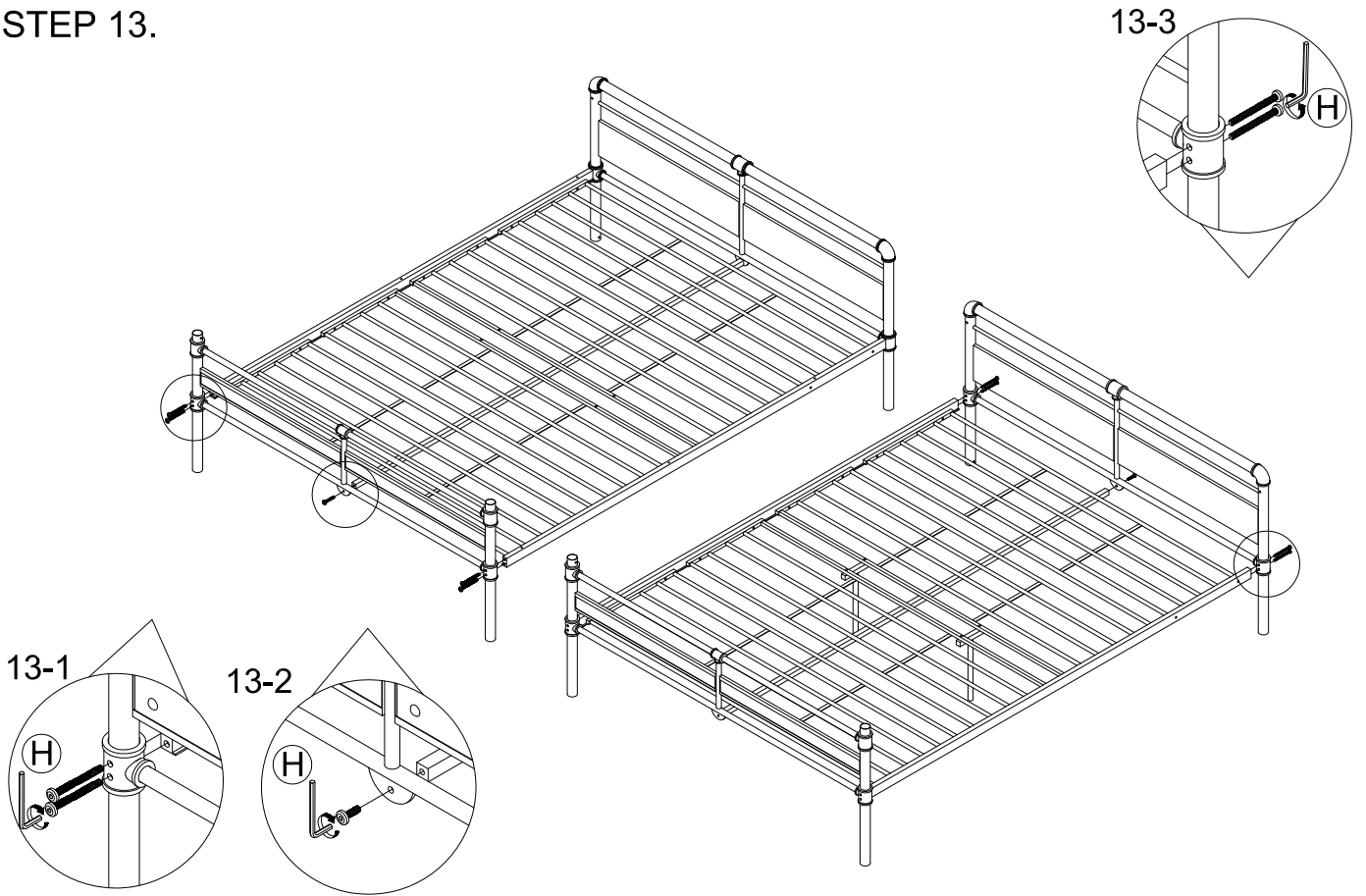


12-3

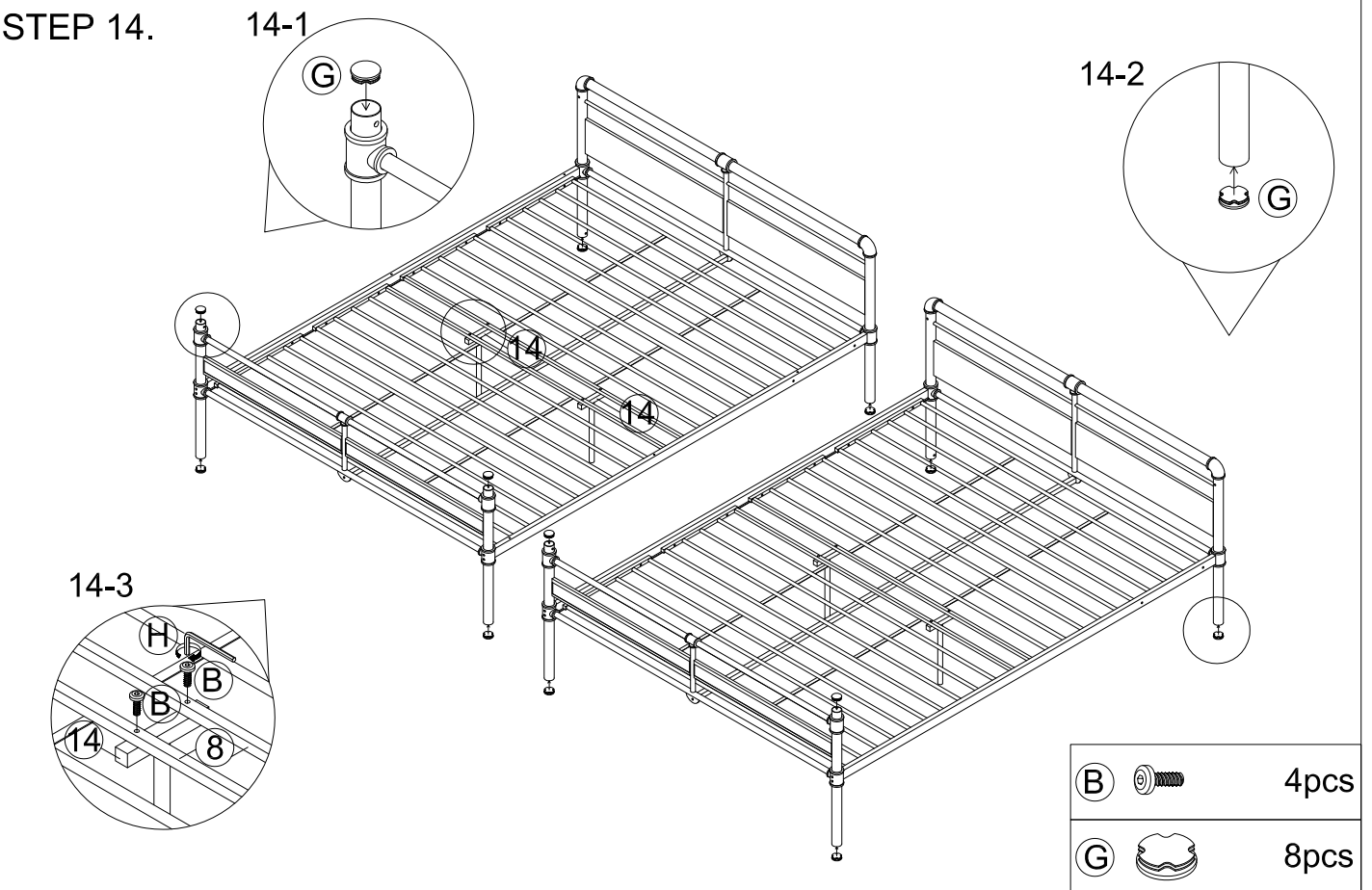


How to Assemble:

STEP 13.



STEP 14.



Safety Warnings

1. Follow the information on the warnings appearing on the upper bunk end structure and on the carton . Do not remove warning label from bed.
 2. Always use the recommended size mattress or/and mattress support to help prevent the likelihood of entrapment or falls.
 3. Surface of mattress must be at least 5 in. below the upper edge of guardrails .
 4. Do not allow children less than 6 years of age to use the upper bunk.
 5. Periodically check and ensure that the guardrail, ladder ,and other components are in their proper position ,free from damage ,and that all connectors are tight .
 6. Prohibit horseplay on/or under the bed and prohibit jumping on the bed.
 7. Always use the ladder for entering and leaving the upper bunk.
 8. Do not use substitute parts ,Contact manufacturer or dealer for replacement parts.
 9. Use of a night light may provide added safety precaution for a child using the upper bunk.
 10. Always use guardrails on both long sides of the upper bunk.
 11. If the bunk bed will be placed next to a wall, the guardrail that runs the full length of the bed should be placed against the wall to prevent entrapment between the bed and the wall.
 12. The use of water or sleep flotation mattress is prohibited .
 13. Keep these instructions for future reference.
 14. Use only mattress which is 78 3/4"x60"x6" on upper bunk and for bottom bunk required 78 3/4"x60"x8"mattress .
 15. Prohibit more than one person on upper bunk.
- STRANGULATION HAZARD:**
16. Never attach or hang items to any part of the bunk bed that are not designed for use with the bed for example, but not limited to hooks, belts, and jump ropes.