


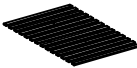






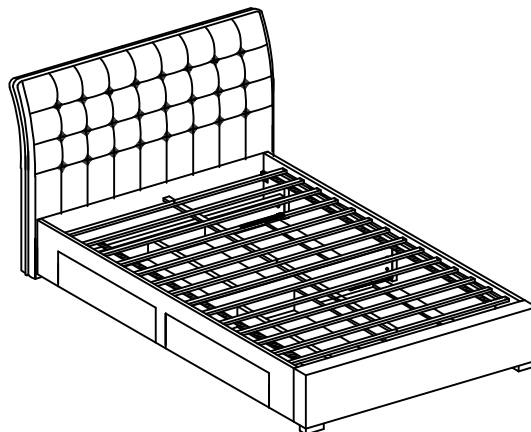
ASSEMBLY INSTRUCTIONS FOR ACME FURNITURE

MODEL#25680Q

Thank you for purchasing the quality product. Be sure to check all packing material carefully for small parts which may have come loose inside the carton during shipment. Separate, identify and count all parts and metal hardware. Compare with all parts list to be sure all parts are present. If any part(s) are missing or damaged, please contact your local furniture dealer. For efficient and speedy service, please indicate the model number and code letter or part(s) needed.

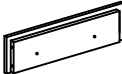

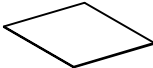
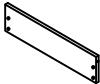

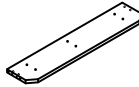
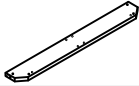




*****Do not fully tighten screws until fully assembled*****

	COMPONENT PART		
DESCRIPTION	PART NAME		QTY
(AA)	Headboard		1pc
(AB)	Footboard		1pc
(AC)	Side Rail		2pcs
(AD)	Slat (14 pcs)		1pc
(AE)	Center Rail		1pc
(AF)	Support Legs		2pcs
(AG)	Drawer Slide		8pcs
(AH)	Drawer Slide		8pcs


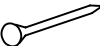



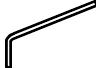












Attention:

*** Some number parts listed on the instruction sheet may not be in parts bag as they may already be assembled. Carefully check parts and packing materials prior to ordering replacements.

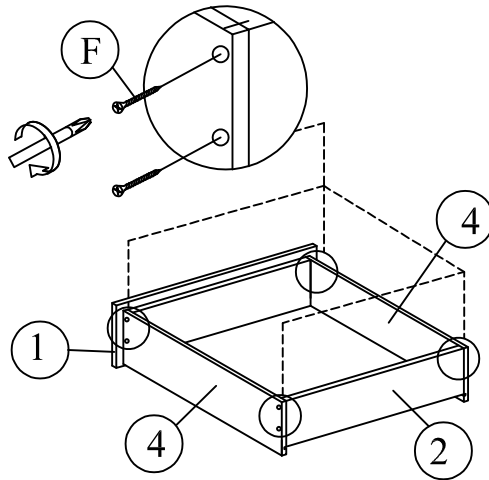
COMPONENT PART			
DESCRIPTION	PART NAME		QTY
①	Drawer Front Panel		4pcs
②	Drawer Back Panel		4pcs
③	Drawer Bottom Panel		4pcs
④	Drawer Side Panel		8pcs
⑤	Drawer Support Panel		8pcs
⑥	Drawer Frame Panel		1pc
⑦	Drawer Frame Support		2pcs
⑧	Drawer Center Frame		4pcs
⑨	Drawer Center Frame		2pcs
⑩	Drawer Frame Support		1pc
⑪	Drawer Frame Support		1pc

HARDWARE REQUIRED

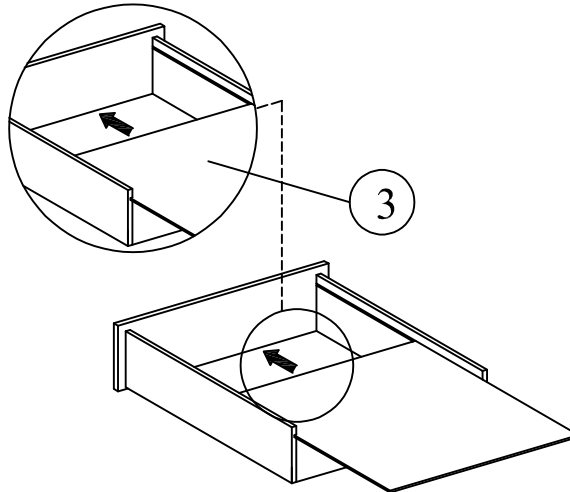
①		Plastic Dowel (8 x 25) - 36pcs	①		Power Nail 6/8 - 56pcs
②		JCBC W M6 x 40 - 14pcs	②		White Nail 6 - 17pcs
③		CSK Screw 16mm - 60pcs	③		M4 x 65mm - 1pc
④		CSK Screw 25mm - 2pcs	④		Plastic Pin 25mm - 8pcs
⑤		CSK Screw 32mm - 47pcs	⑤		JCBC M6 x 40 - 2pcs
⑥		CSK Screw 50mm - 32pcs	⑥		JCBC M6 x 30 - 8pcs
⑦		Mini Fix Bolt - 10pcs	⑦		M6 Flat Washer - 8pcs
⑧		Mini Fix Housing - 10pcs			
⑨		Mini Fix Cap - 10pcs			

How to assemble:

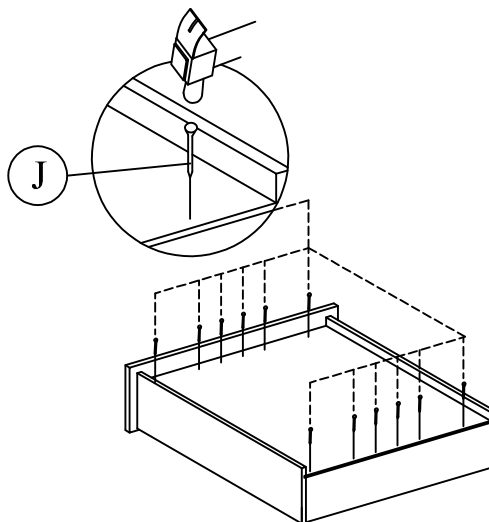
STEP 1



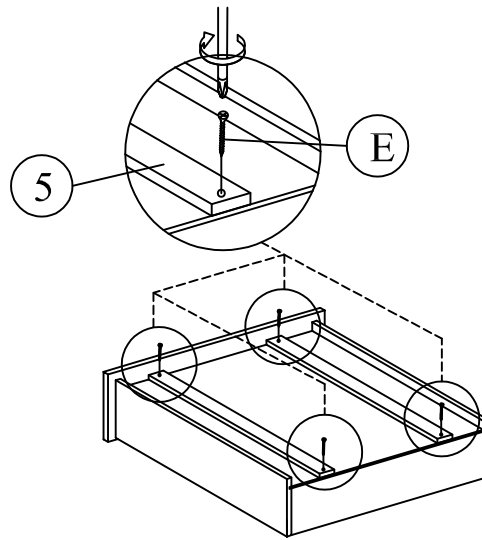
STEP 2



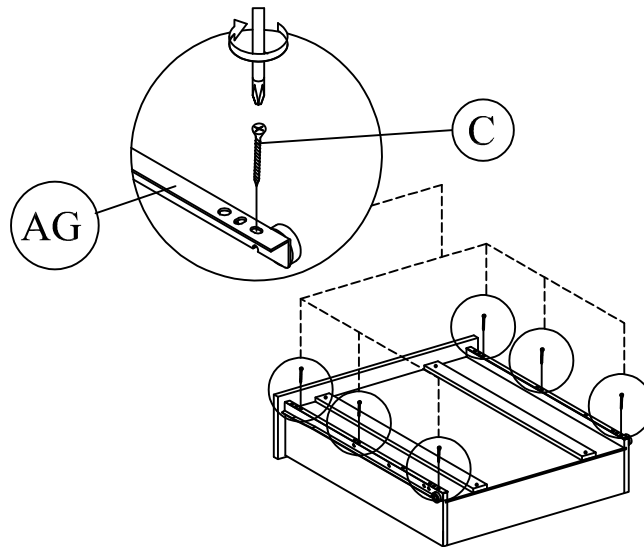
STEP 3



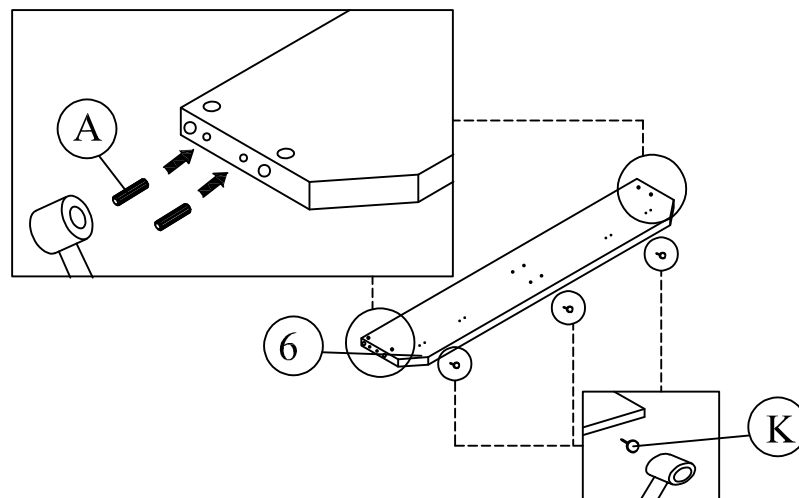
STEP 4



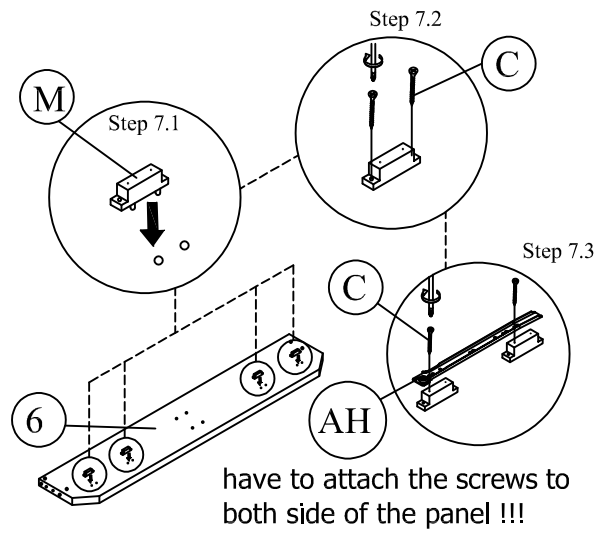
STEP 5



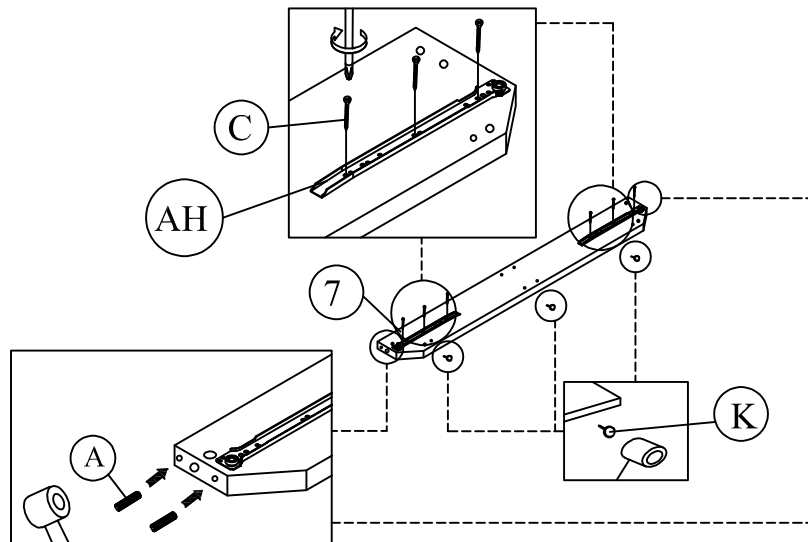
STEP 6



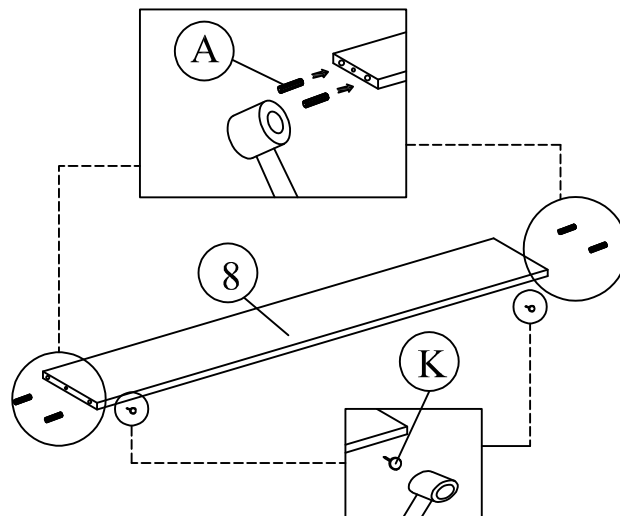
STEP 7



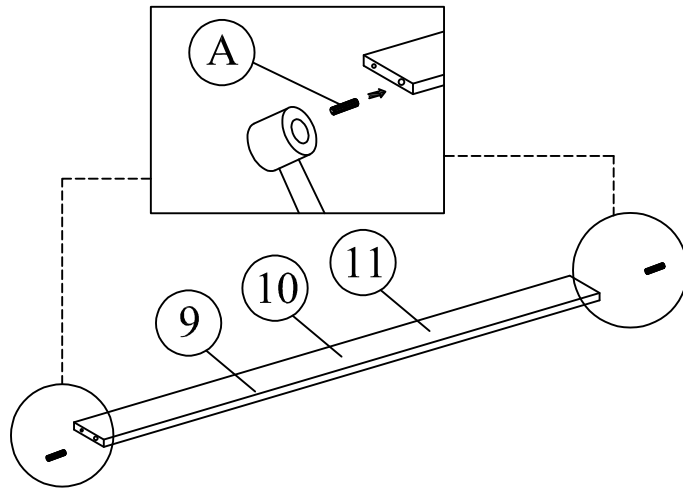
STEP 8



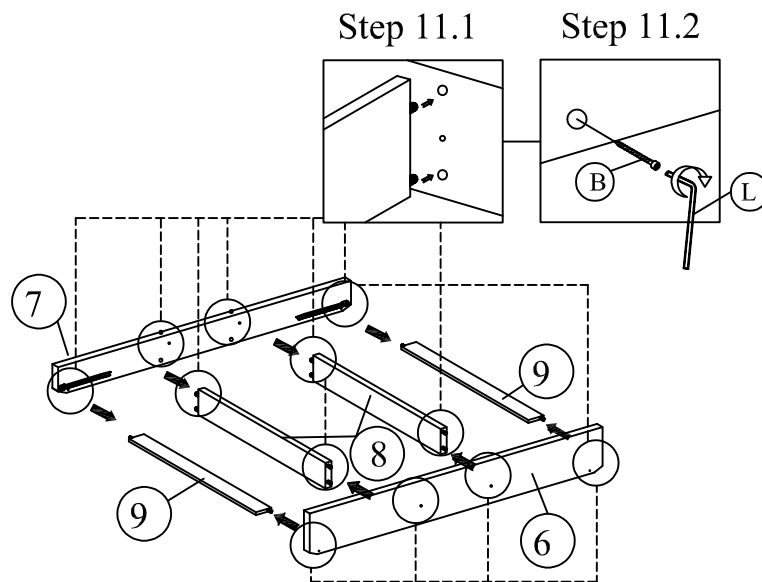
STEP 9



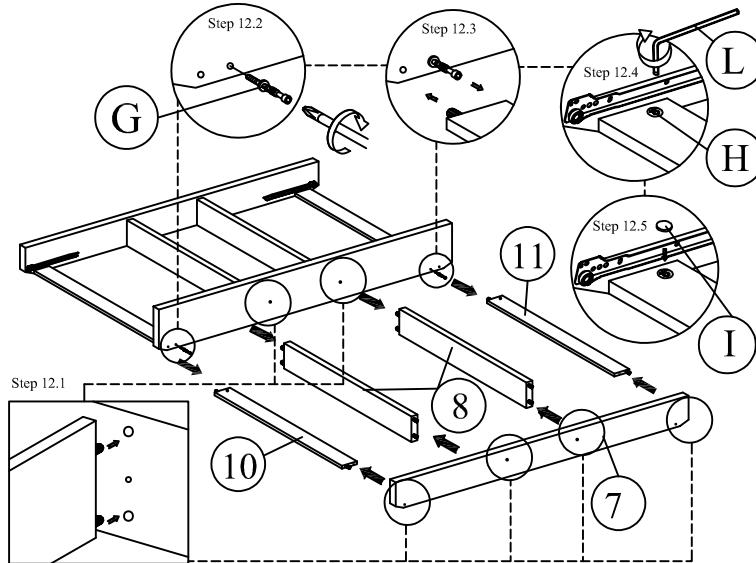
STEP 10



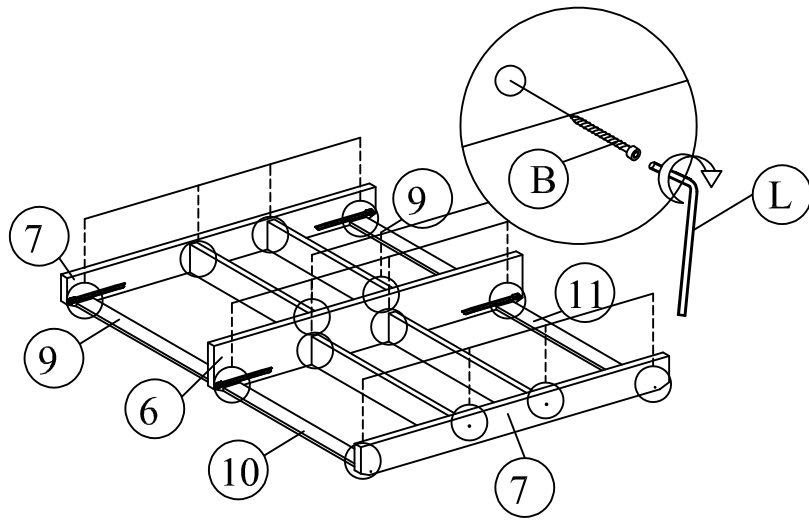
STEP 11



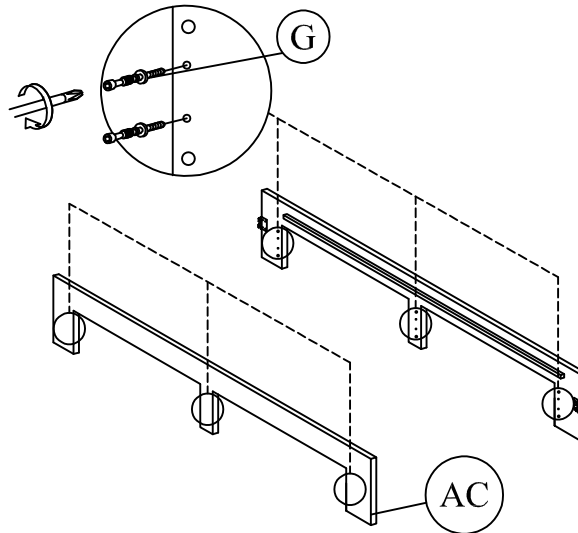
STEP 12



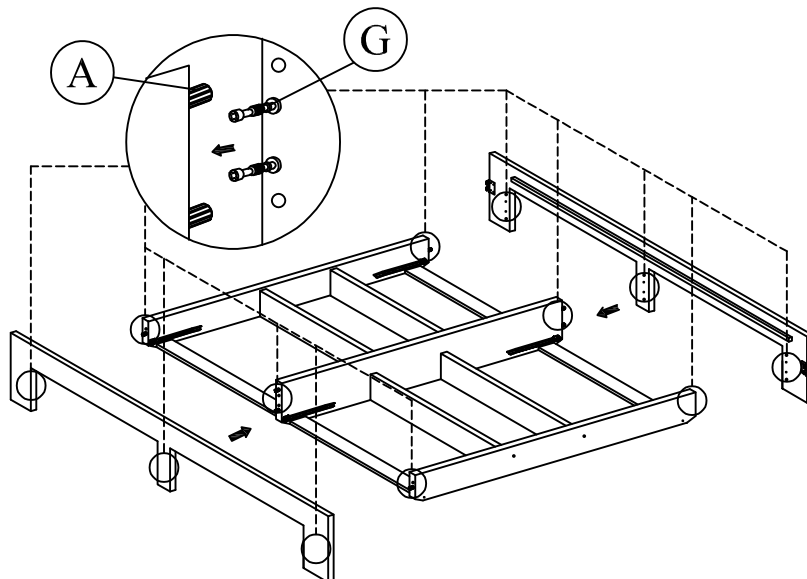
STEP 13



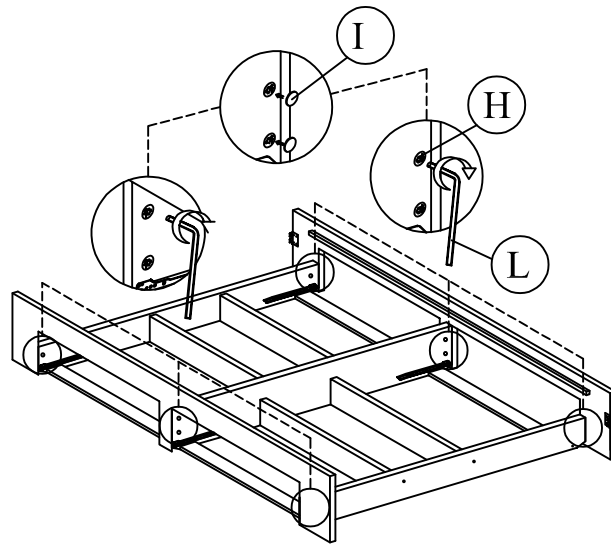
STEP 14



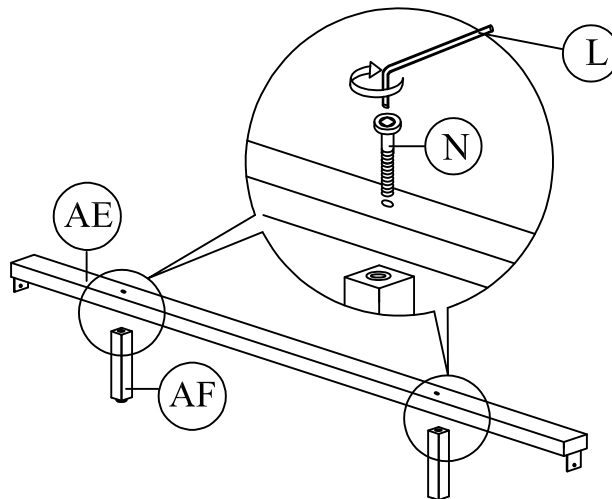
STEP 15



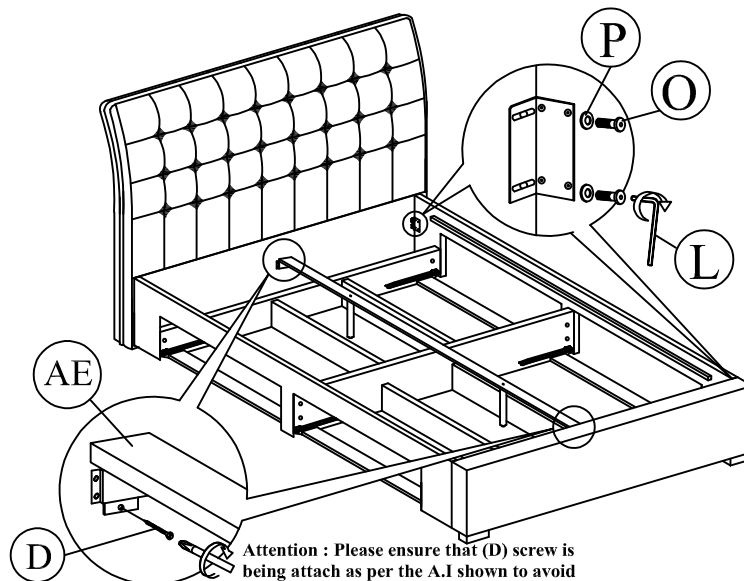
STEP 16



STEP 17

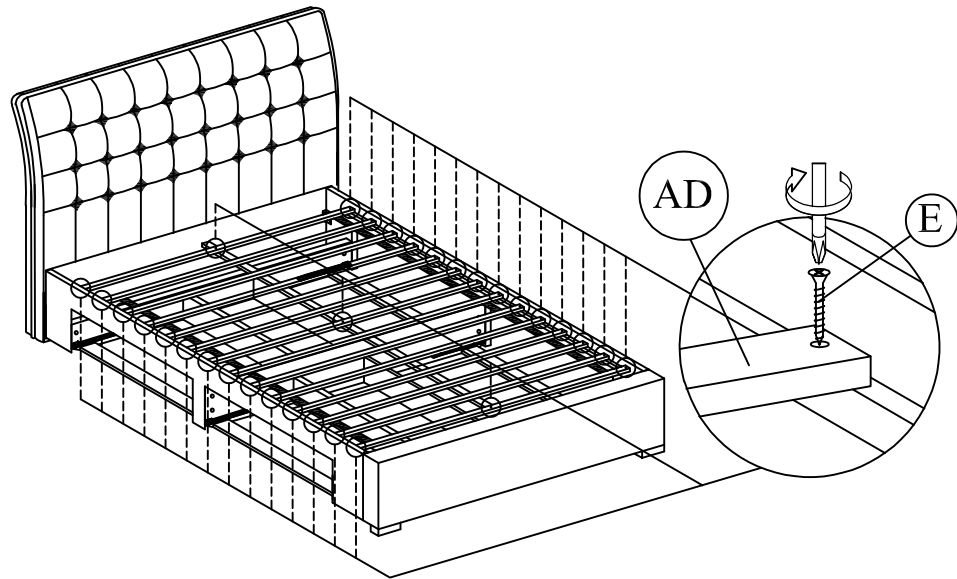


STEP 18



Attention : Please ensure that (D) screw is being attach as per the A.I shown to avoid base being collapse .

STEP 19



STEP 20

