








ASSEMBLY INSTRUCTIONS FOR ACME FURNITURE


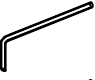
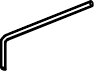




MODEL#24520Q

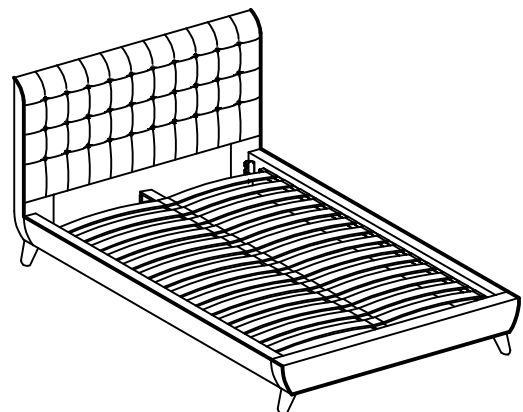
Thank you for purchasing the quality product. Be sure to check all packing material carefully for small parts which may have come loose inside the carton during shipment. Separate, identify and count all parts and metal hardware. Compare with all parts list to be sure all parts are present. If any parts(s) are missing or damaged, please contact your local furniture dealer. For efficient and speedy service, please indicate the model number and code letter or part(s) needed.

*****Do not fully tighten screws until fully assembled*****

		COMPONENT PART	
DESCRIPTION		PART NAME	QTY
①		Headboard 	1pc
②		Footboard 	1pc
③		Side Rail 	2pcs
④		Legs 	4pcs
⑤		Center Rail 	1pc
⑥		Support Legs 	3pcs
⑦		Slat 	28pcs

HARDWARE REQUIRED

- (A)  JCBC M6 x 40 - 3pcs
- (B)  M4 x 65mm - 1pc
- (C)  M5 x 70mm - 1pc
- (D)  CSK Screw 25mm - 2pcs
- (E)  No 35 Washers - 4pcs
- (F)  Middle Holder - 14pcs
- (G)  End Holder - 28pcs

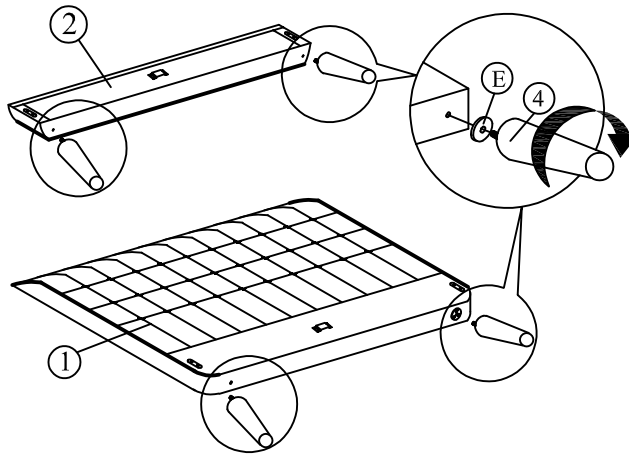


Attention:

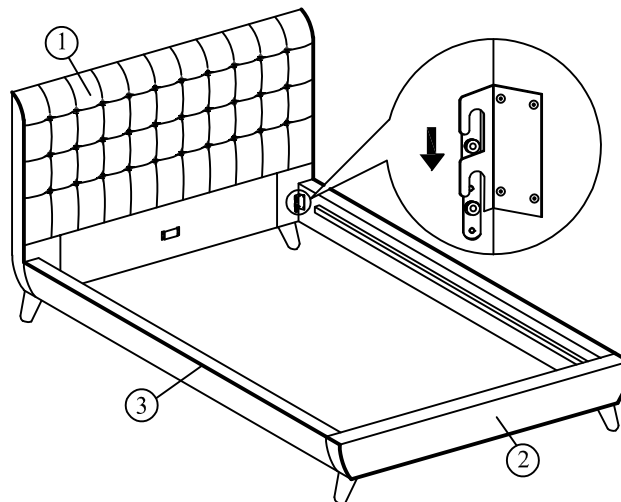
*** Some number parts listed on the instruction sheet may not be in parts bag as they may already be assembled. Carefully check parts and packing materials prior to ordering replacements.

How to assemble:

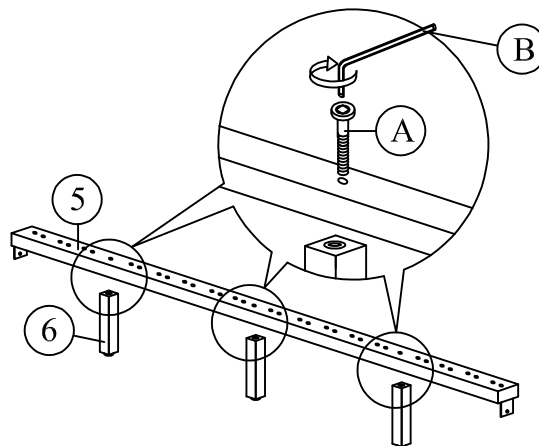
STEP 1 : Tighten the legs (4) to both headboard (1) and footboard (2) as shown.



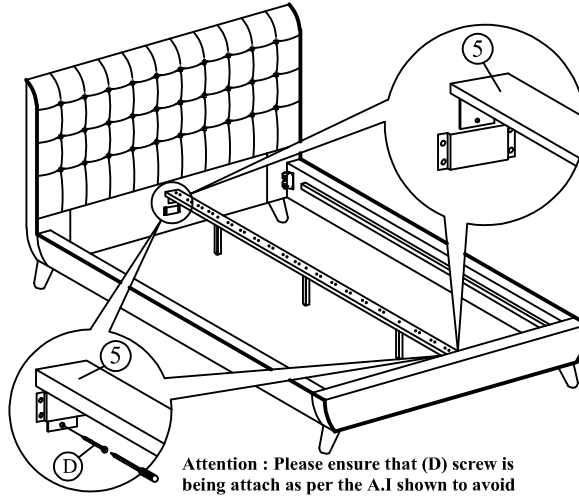
STEP 2 : Attach side rail (3) to headboard (1) and footboard (2) by pushing the bracket down to fit it.



STEP 3 : Attach the support legs (6) to the center rail (5) of the bed as shown.



STEP 4 : Slide the center rail (5) to the headboard (1) and footboard (2). Tighten screws (D) using screw driver (not included) to the headboard (1) and footboard (2).



Attention : Please ensure that (D) screw is being attach as per the A.I shown to avoid base being collapse.

STEP 5 : Tighten all the 4 corner, follow by assembly of the slat holders with LVL slats as shown.

