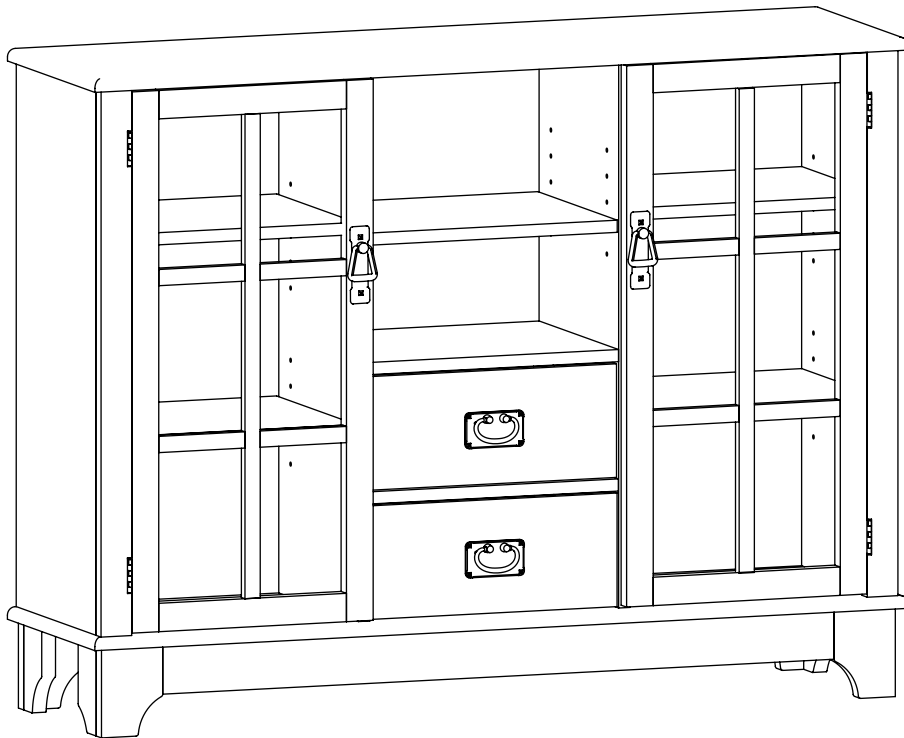


ASSEMBLY INSTRUCTIONS

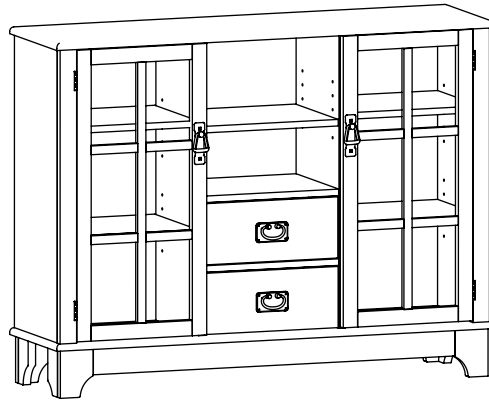
97324/97328



WINE RACK

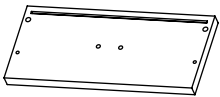
WINE RACK

97324/97328

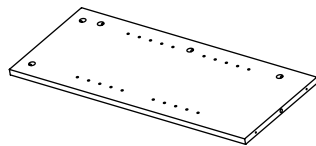


PARTS LIST

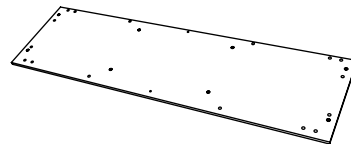
① X2



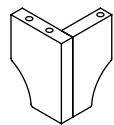
⑥ X1



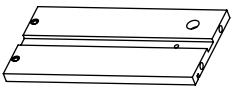
⑪ X1



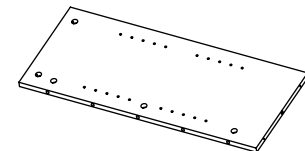
⑯ X2



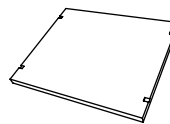
② X2



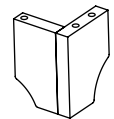
⑦ X1



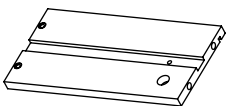
⑫ X5



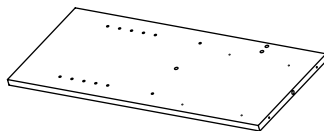
⑰ X2



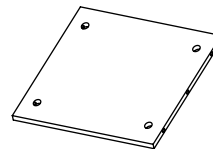
③ X2



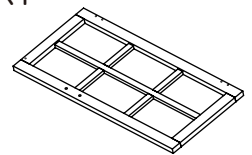
⑧ X1



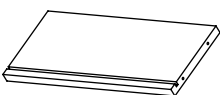
⑬ X1



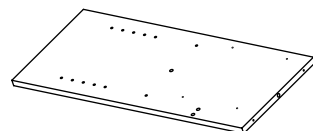
⑱ X1



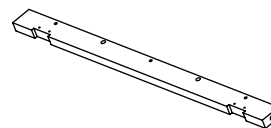
④ X2



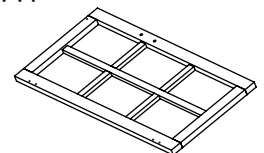
⑨ X1



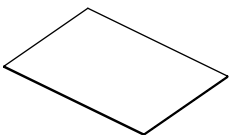
⑭ X2



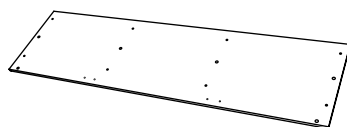
⑲ X1



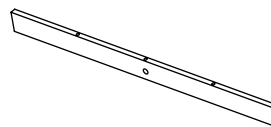
⑤ X2



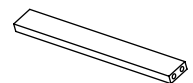
⑩ X1



⑮ X2



⑳ X1

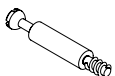


㉑ X3



HARDWARE LIST

Ⓐ X28



Ⓑ X28



Ⓒ X46



Ⓓ X8



Ⓔ X16



Ⓕ X2



Ⓖ X16



Ⓗ X4



Ⓘ X12



Ⓙ X20



Ⓚ X2



Ⓛ X2



Ⓜ X4



Ⓝ X4



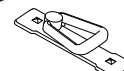
Ⓞ X32



Ⓟ X2

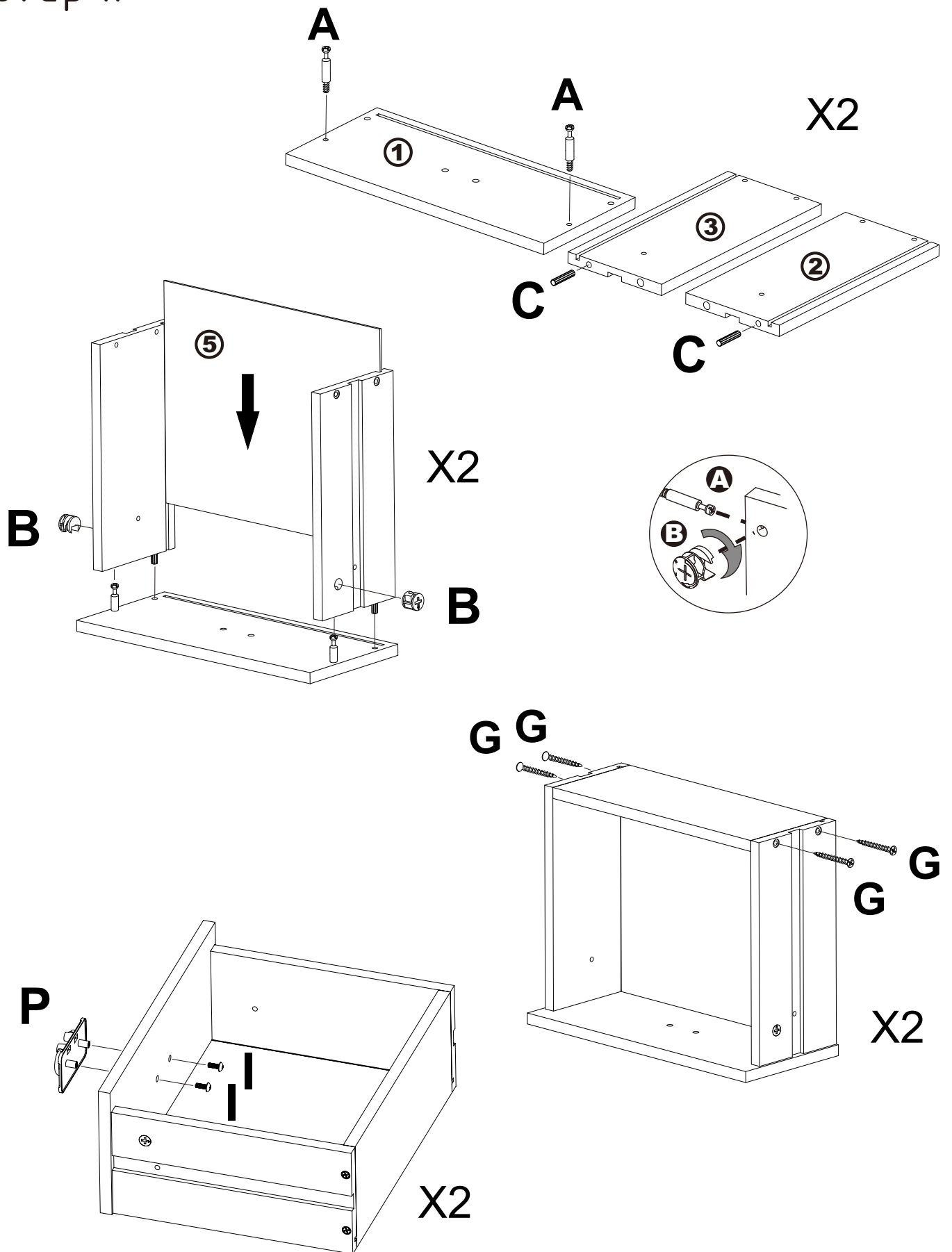


Ⓠ X2



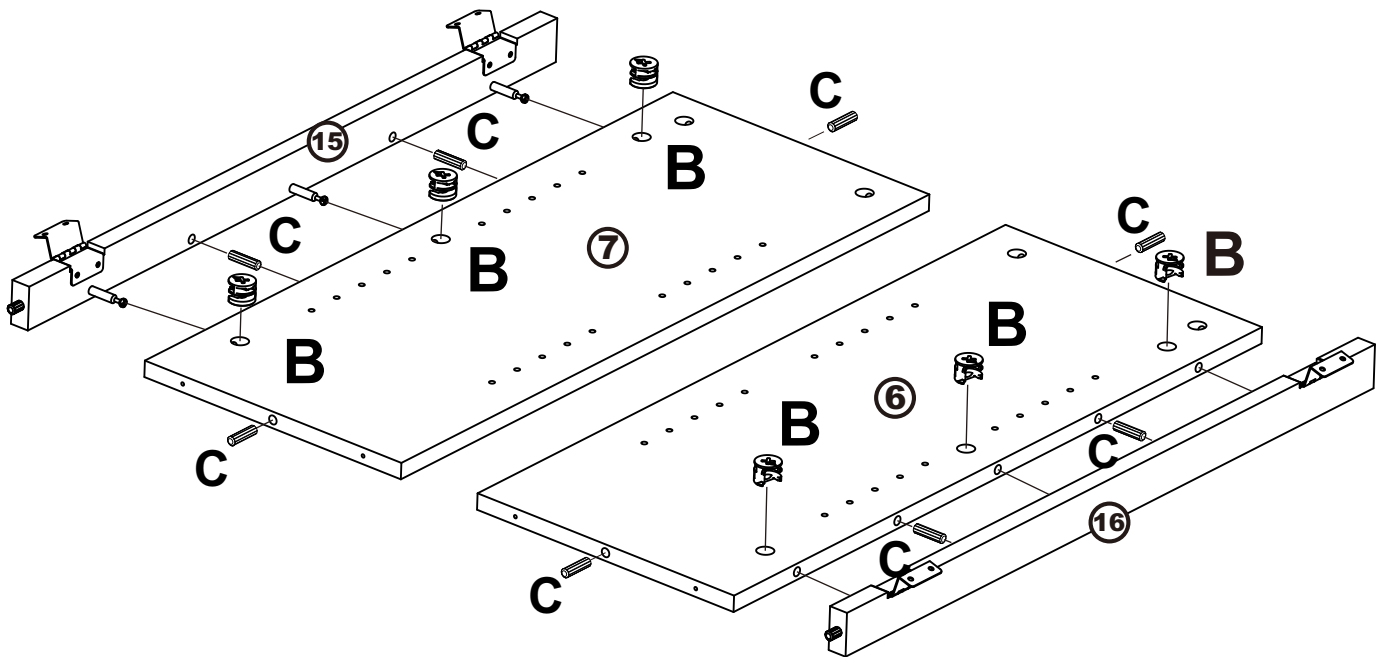
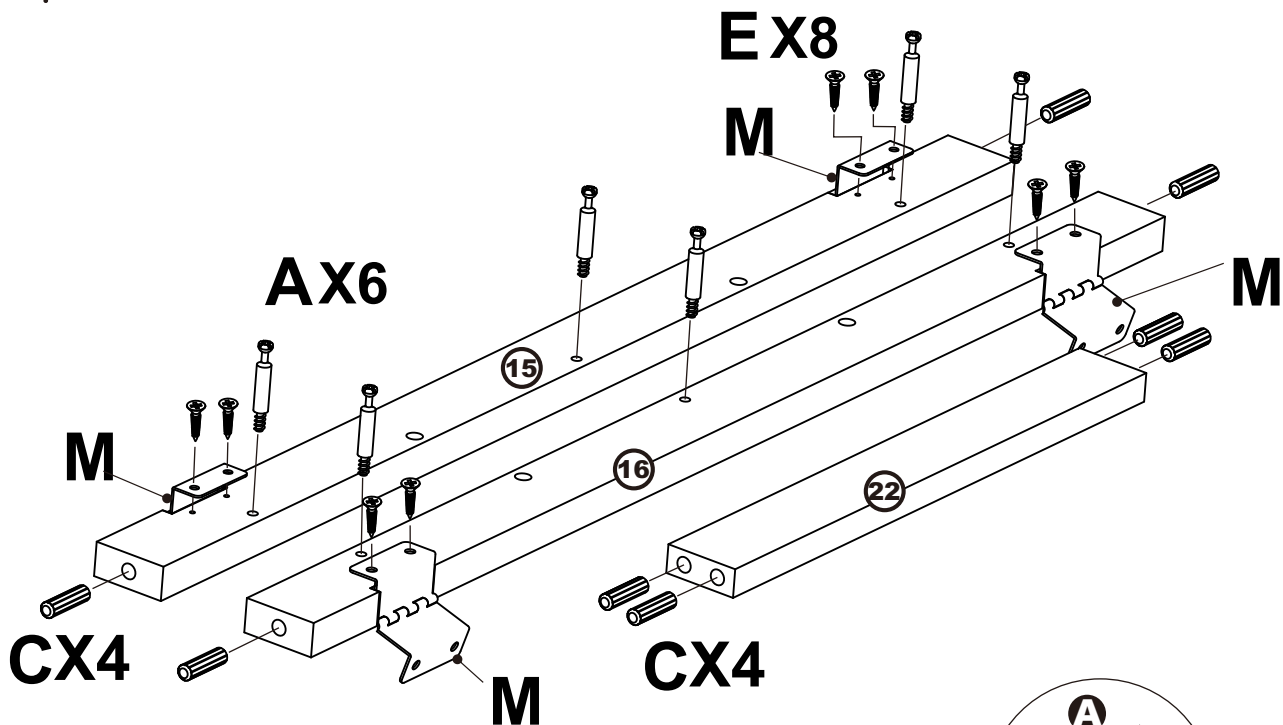
ASSEMBLY INSTRUCTIONS

Step 1.



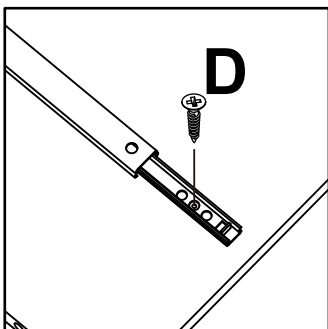
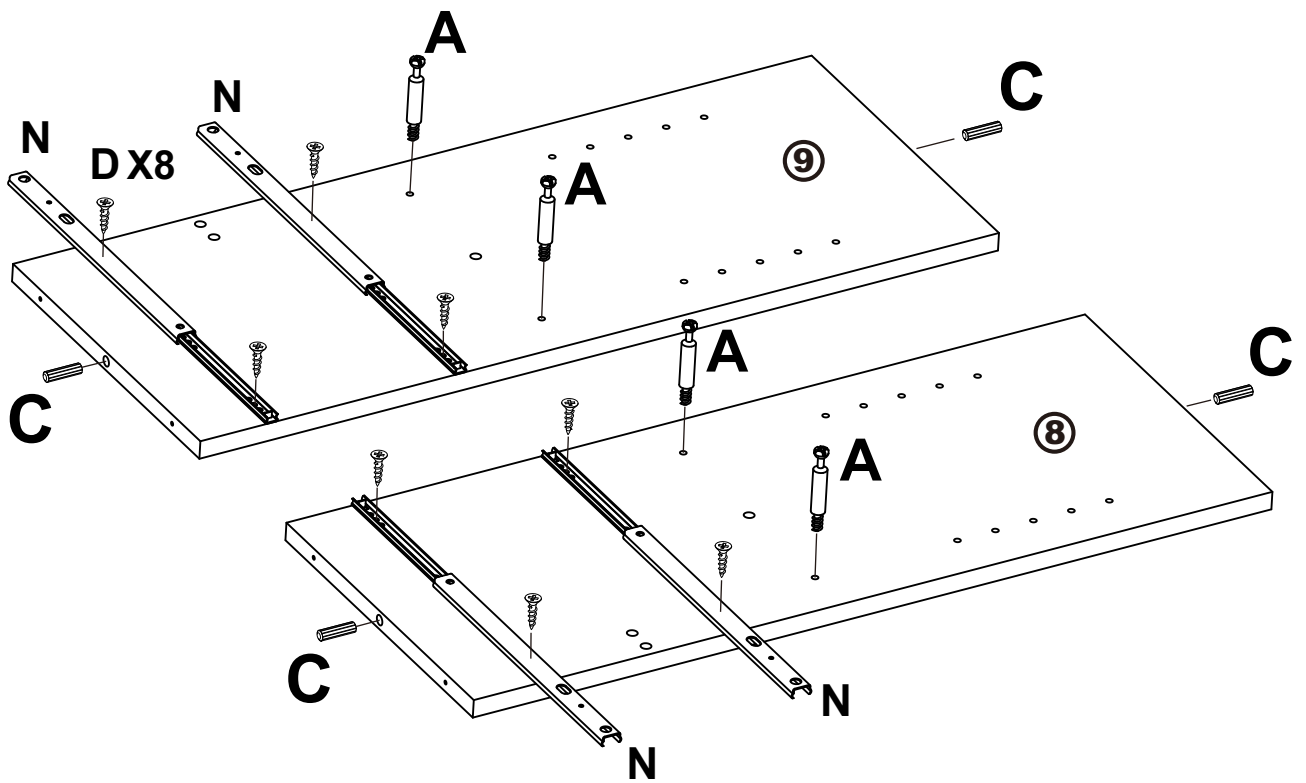
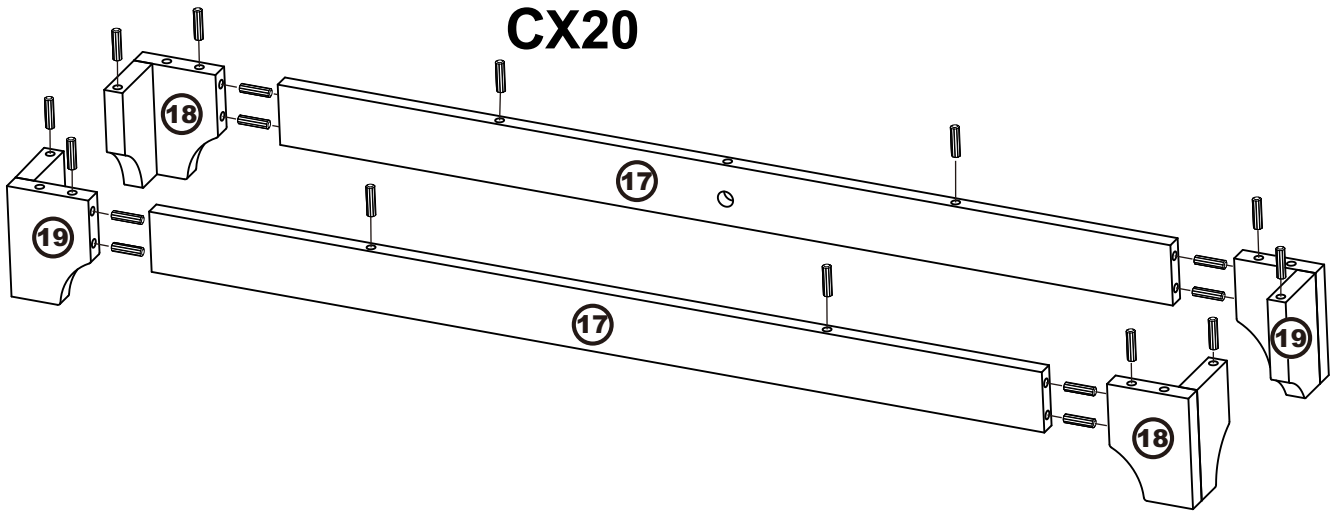
ASSEMBLY INSTRUCTIONS

Step 2.



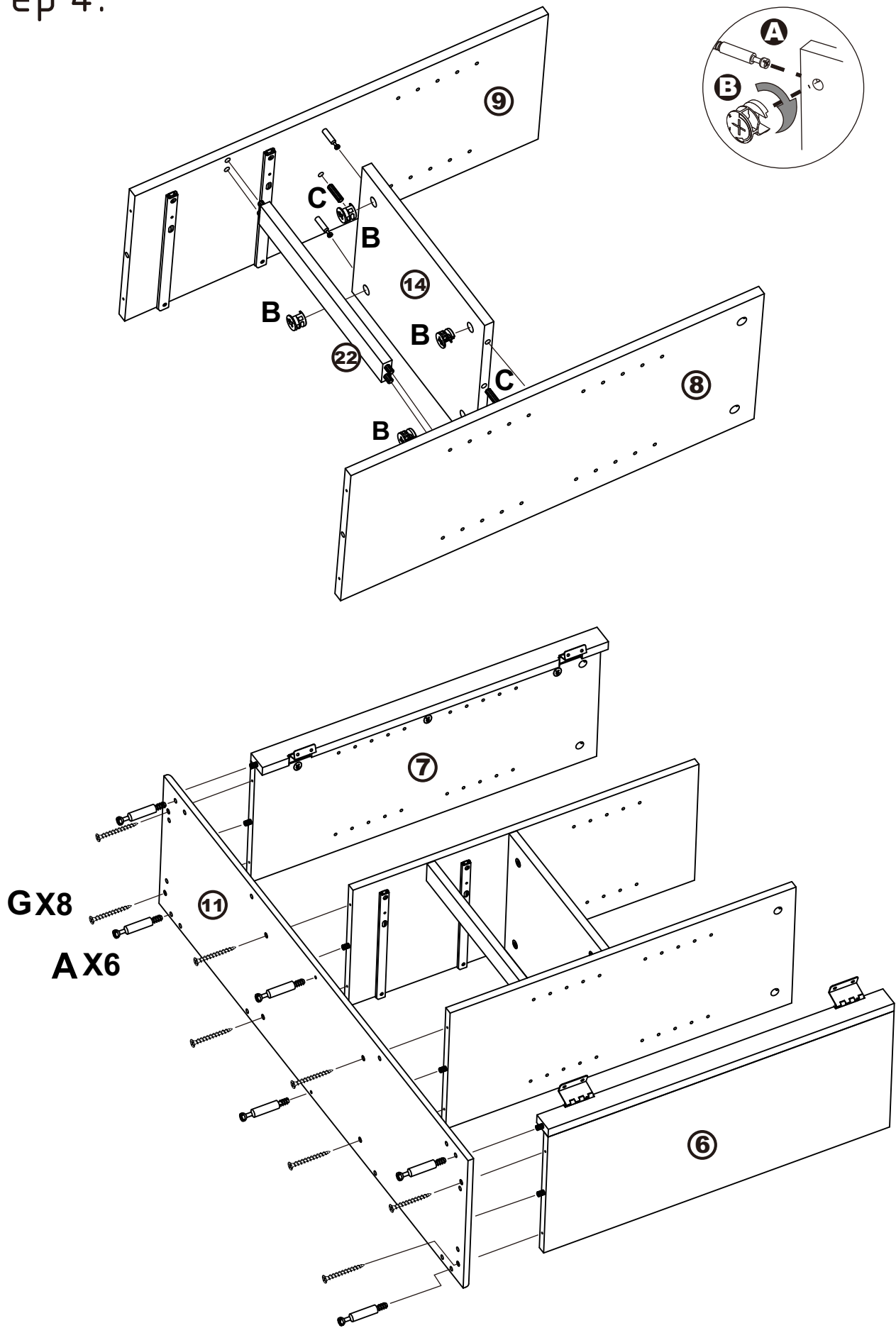
ASSEMBLY INSTRUCTIONS

Step 3.



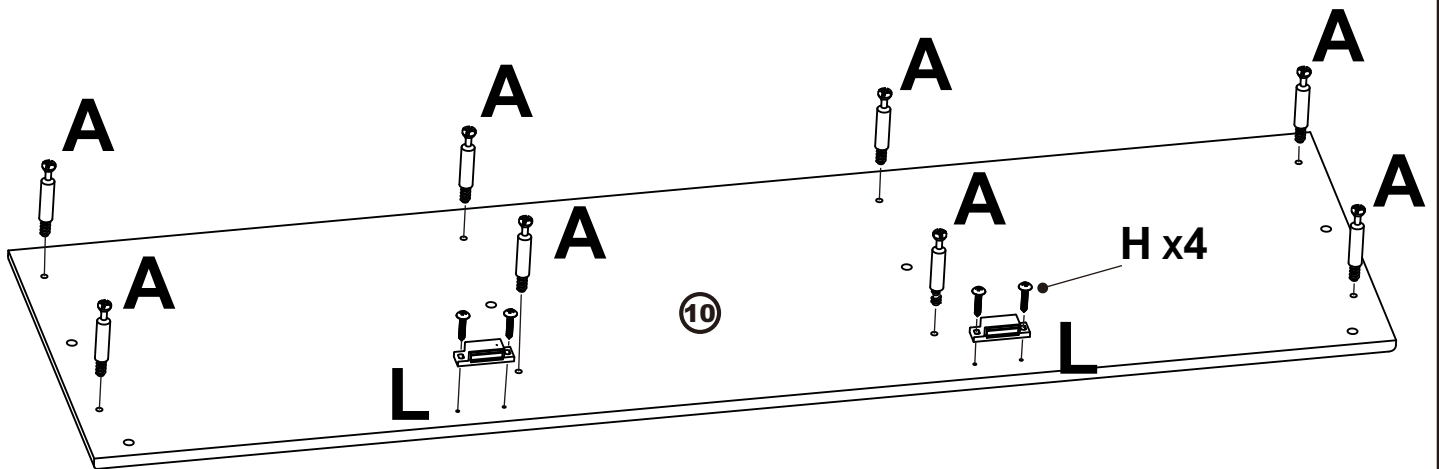
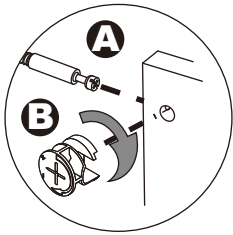
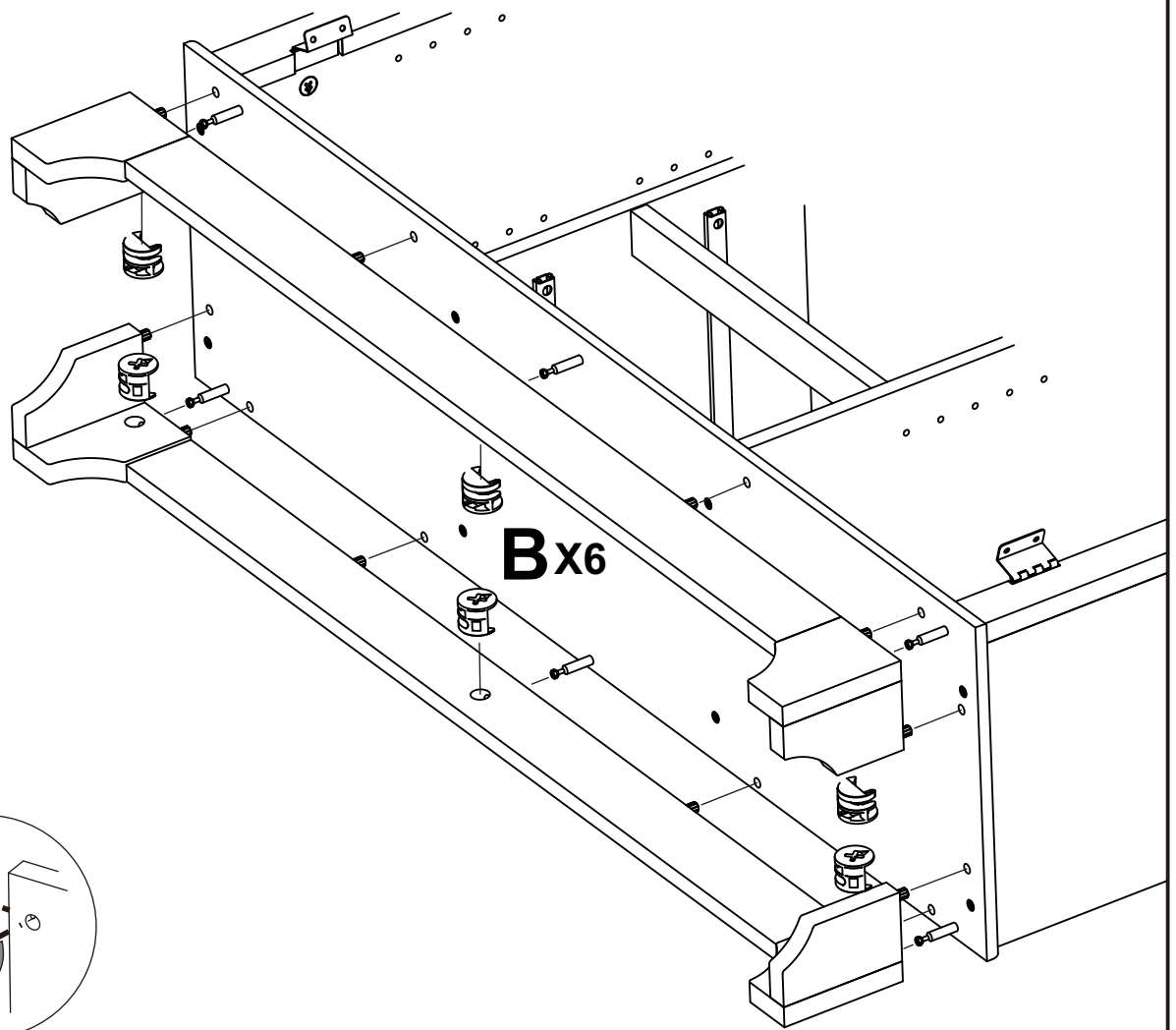
ASSEMBLY INSTRUCTIONS

Step 4.



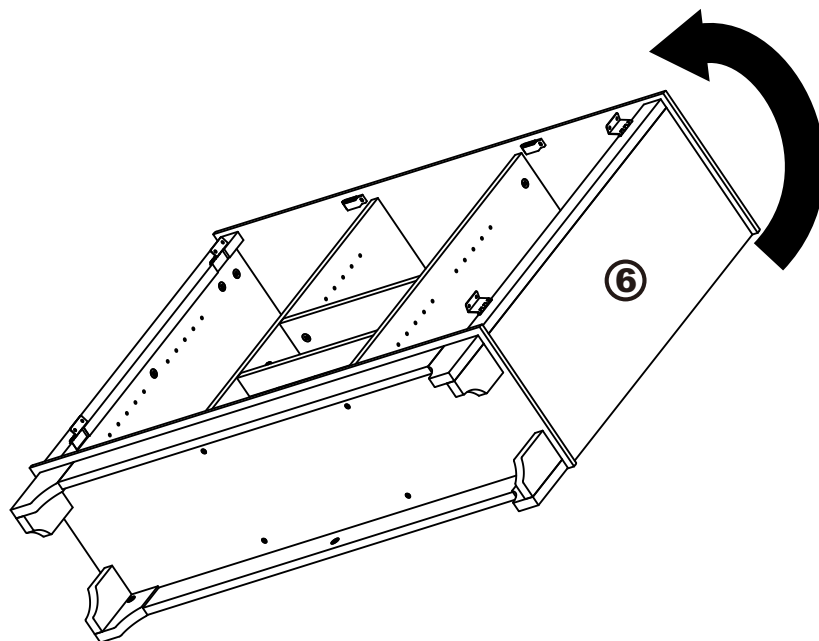
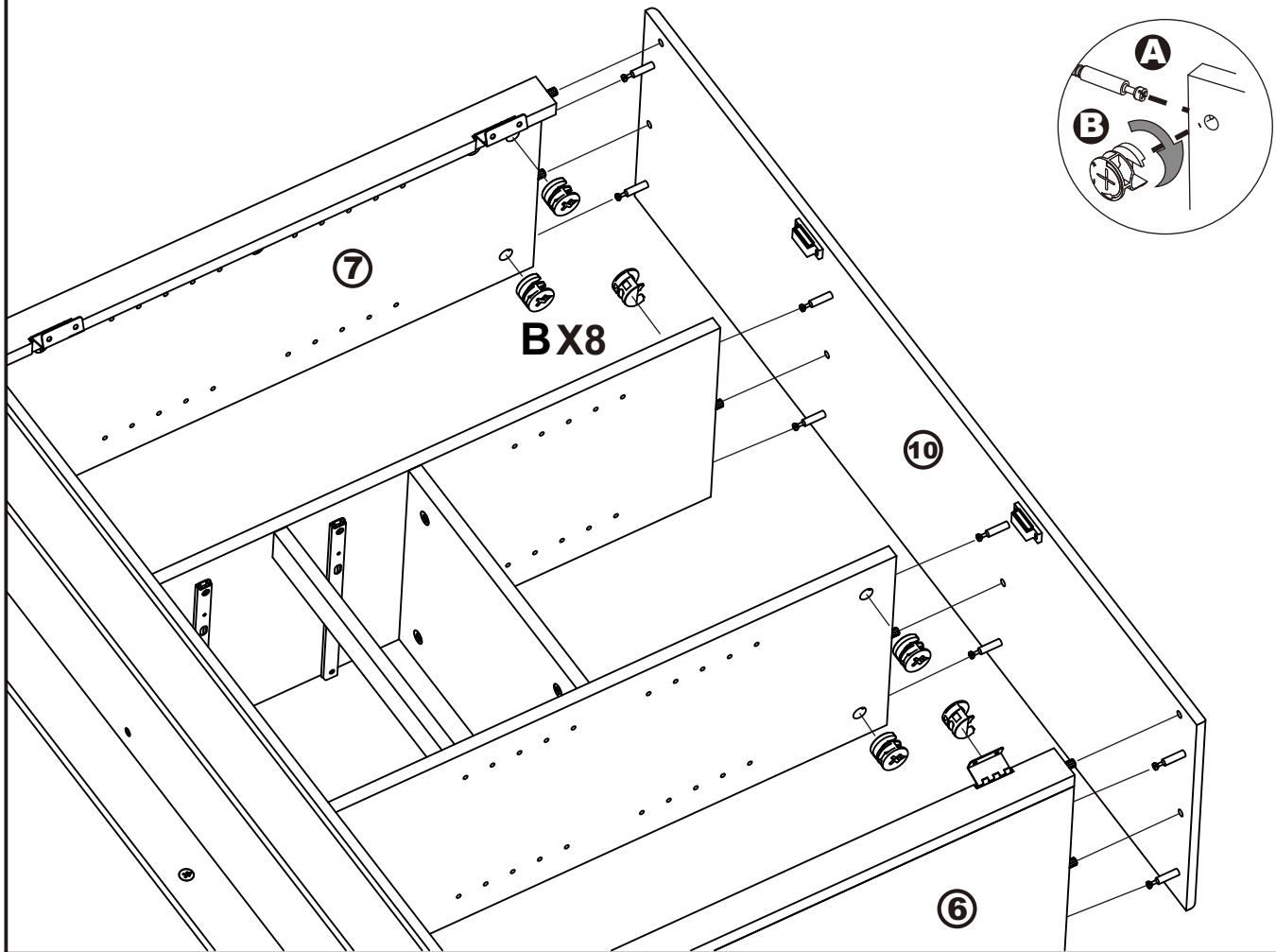
ASSEMBLY INSTRUCTIONS

Step 5.



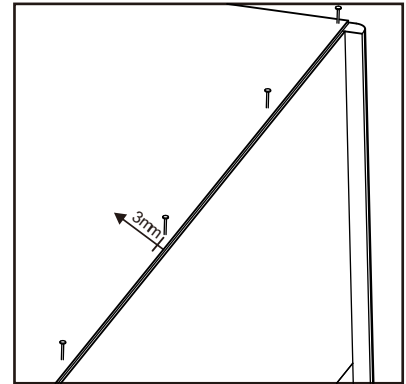
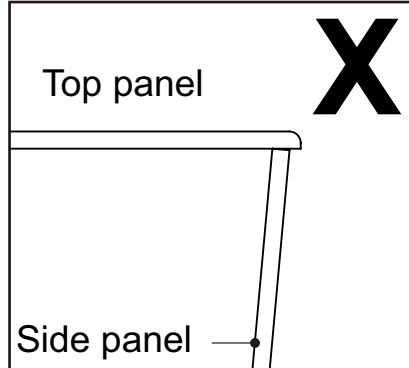
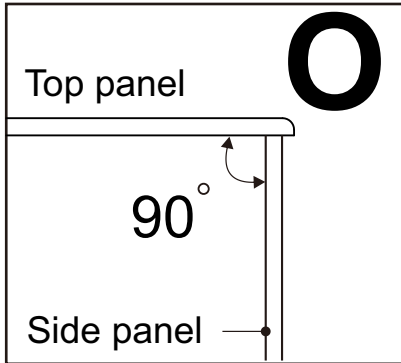
ASSEMBLY INSTRUCTIONS

Step 6.

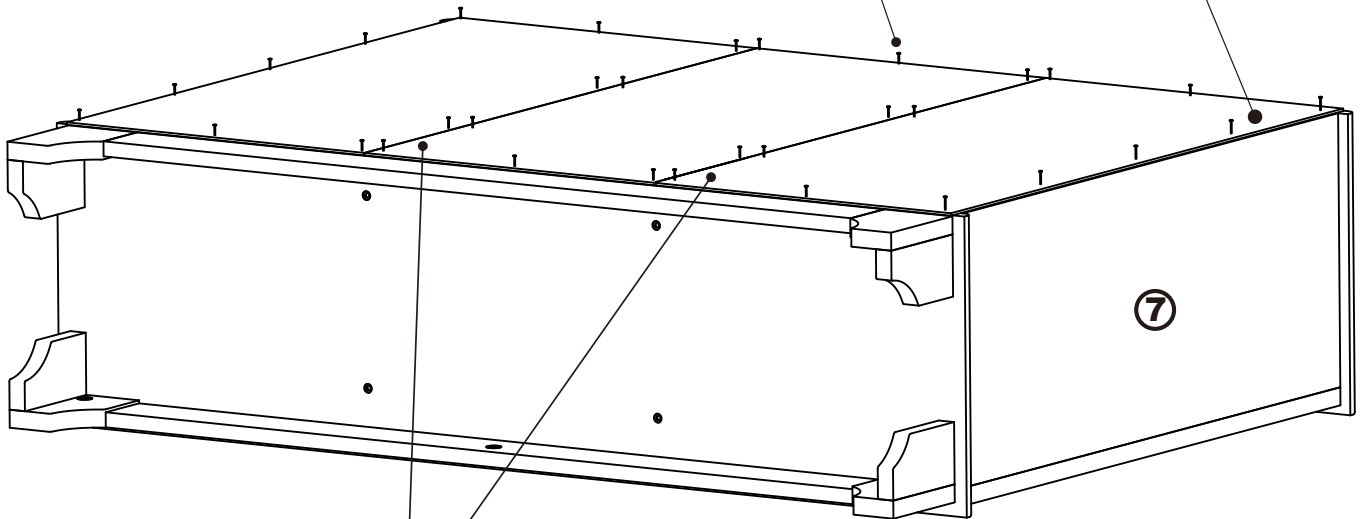


ASSEMBLY INSTRUCTIONS

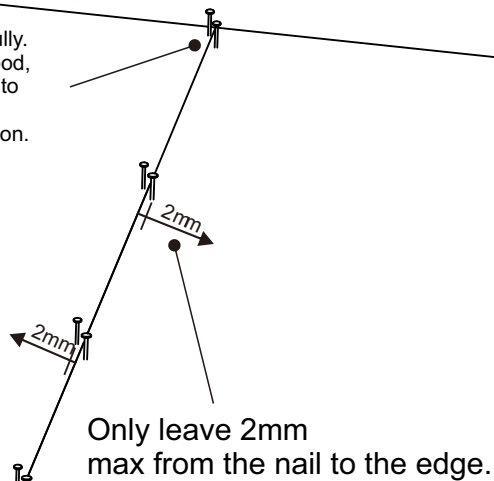
Step 7.



O X32

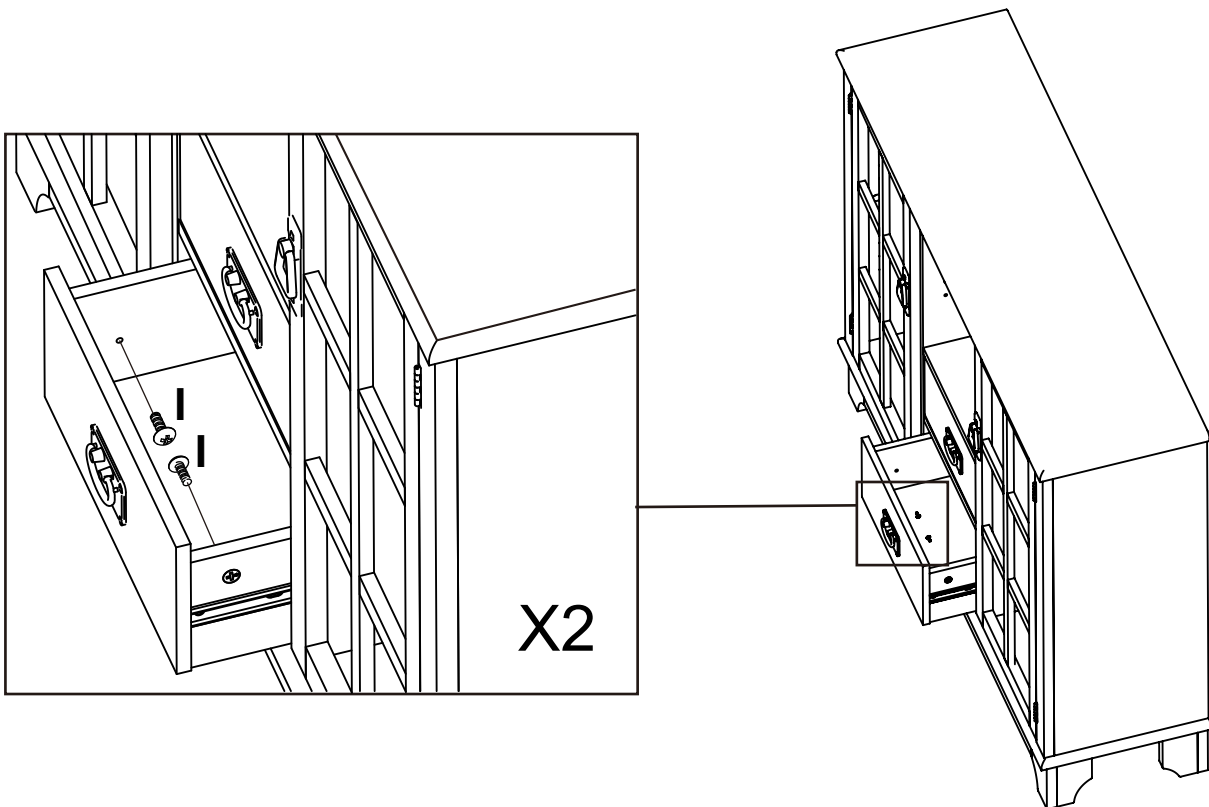
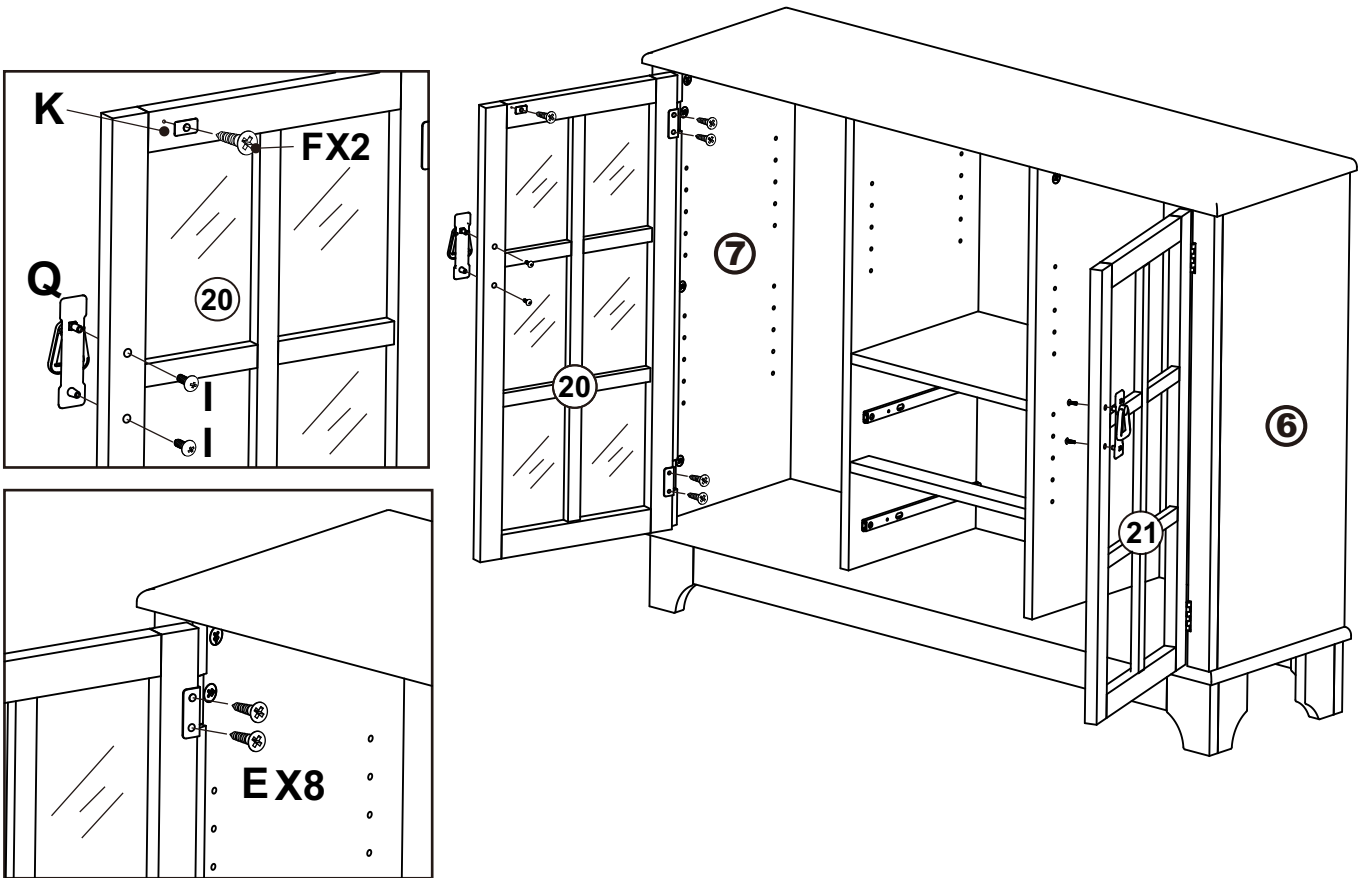


Please drive the nails carefully.
In order to avoid splitting wood,
do not drive a nail too close to
another nail.
See the drawing for instruction.



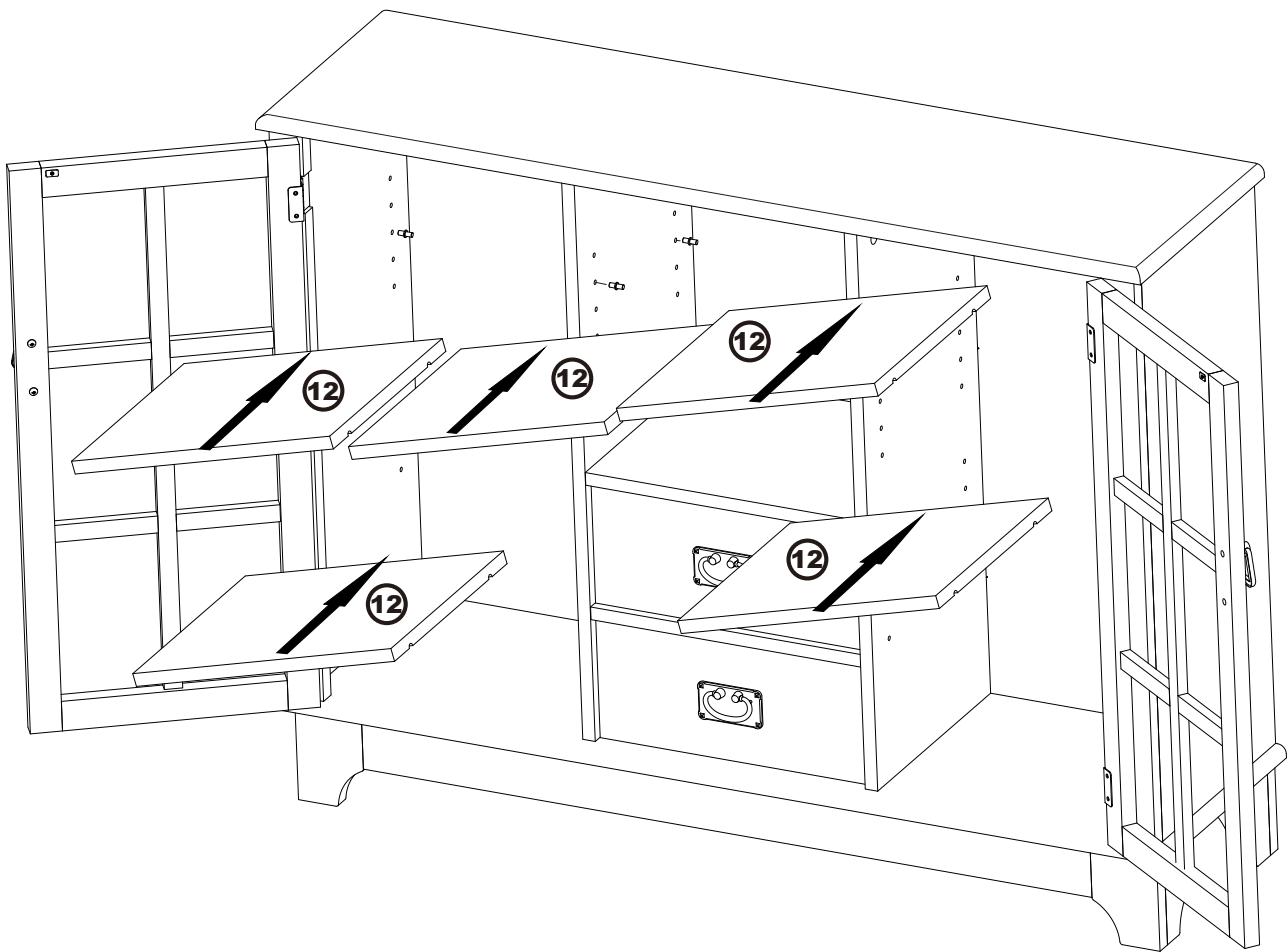
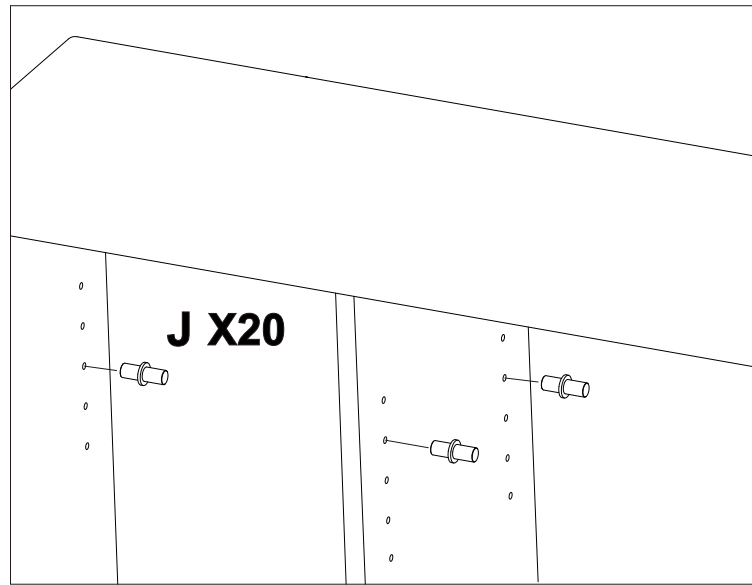
ASSEMBLY INSTRUCTIONS

Step 8.



ASSEMBLY INSTRUCTIONS

Step 9.



ASSEMBLY IS COMPLETED

Make sure the product is rested on a flat surface and does not feel loose or wobbly. If it does, double check that the bolts/screws are secured and properly tightened.