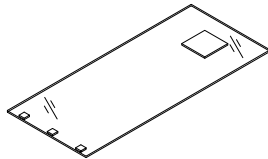
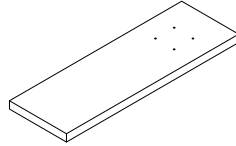
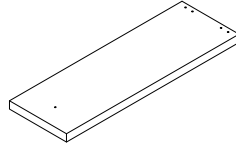
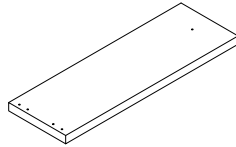
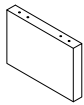





ASSEMBLY INSTRUCTION FOR ACME FURNITURE

MODEL# 92366 & 92368 Swivelling Desk

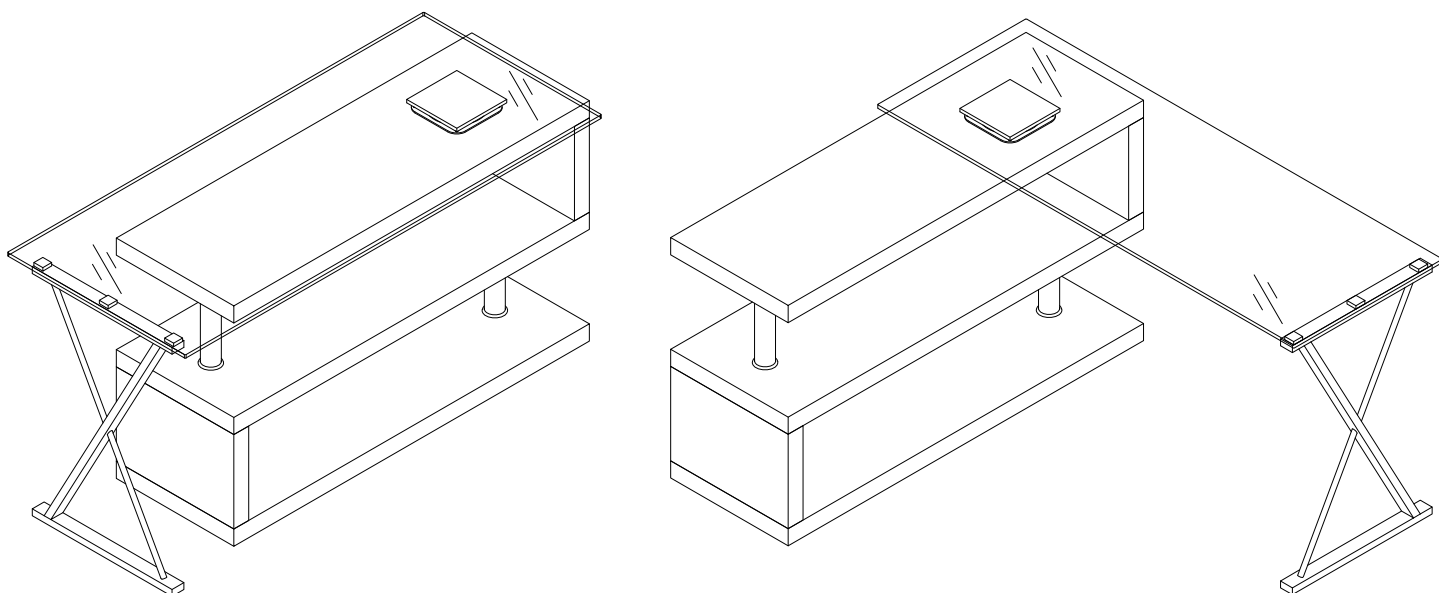
Thank you for purchasing this quality product. Be sure to check all packing materials carefully for small parts which may have come loose inside the carton during shipment. Separate, identify, and count all parts and metal hardware. Compare with parts list to be sure all parts are present. If any part(s) are missing or damaged, please contact your local furniture dealer. For efficient and speedy service, please indicate the model number and code letter of the part(s) needed.

***** Do not fully tighten screws until fully assembled *****

COMPONENT PARTS		
DECERPTION	PART NAME	Q'TY(PCS)
①	Glass Top 	1pc
②	Top Panel 	1pc
③	Middle Shelf 	1pc
④	Bottom Shelf 	1pc
⑤	Side Panel 	2pcs
⑥	Side Frame 	1pc
⑦	Support Tube 	2pcs
⑧	Spin Hinge 	1pc

HARDWARE REQUIRED:

(A)		Bolt 1/4"x5/16" - 4pcs
(B)		Bolt 1/4"x1" - 3pcs
(C)		Bolt 1/4"x2-1/8" - 4pcs
(D)		Rod 1/4"x13-5/8" - 6pcs
(E)		Nut M6 - 6pcs
(F)		Plastic Washer Ø59x4.0 - 4pcs
(G)		Wood Dowel Ø6x30 - 8pcs
(H)		Washer Ø16xØ7x1.0 - 13pcs
(I)		Adjustable Foot - 2pcs
(J)		Allen Wrench M4 - 1pc
(K)		Socket Wrench M6 - 1pc



Attention:

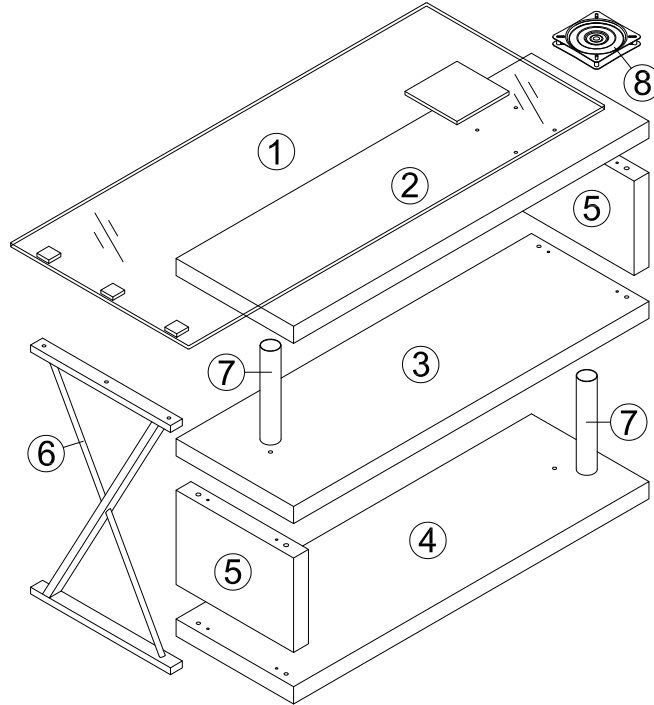
***Mattresses not included.

***Some number parts listed on the instruction sheet may not be in parts bag as they may already be assemble.
Carefully check parts and packing materials prior to ordering replacements.

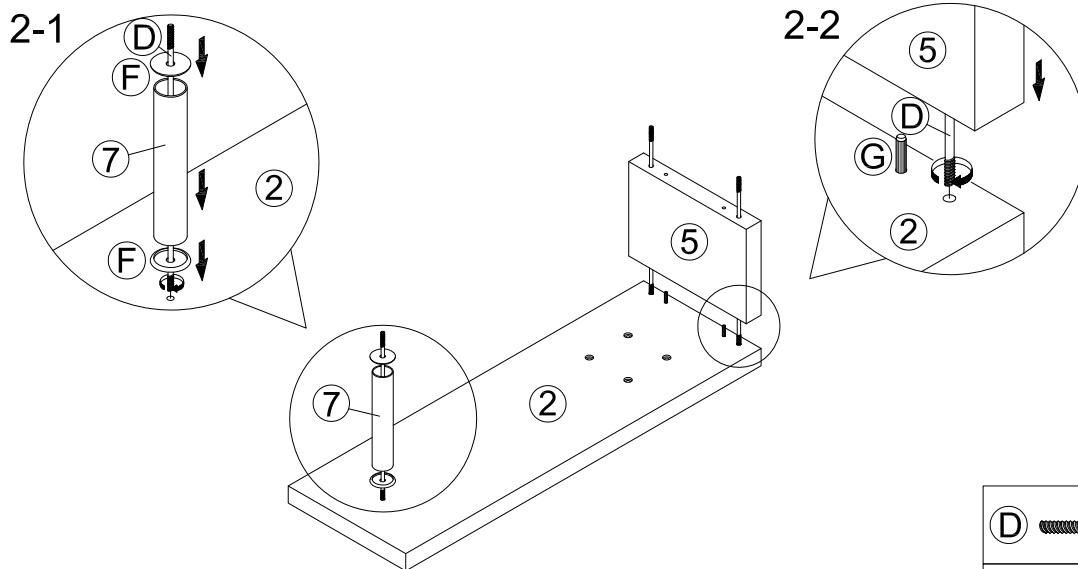
How to Assemble:

STEP 1.

Exploded View



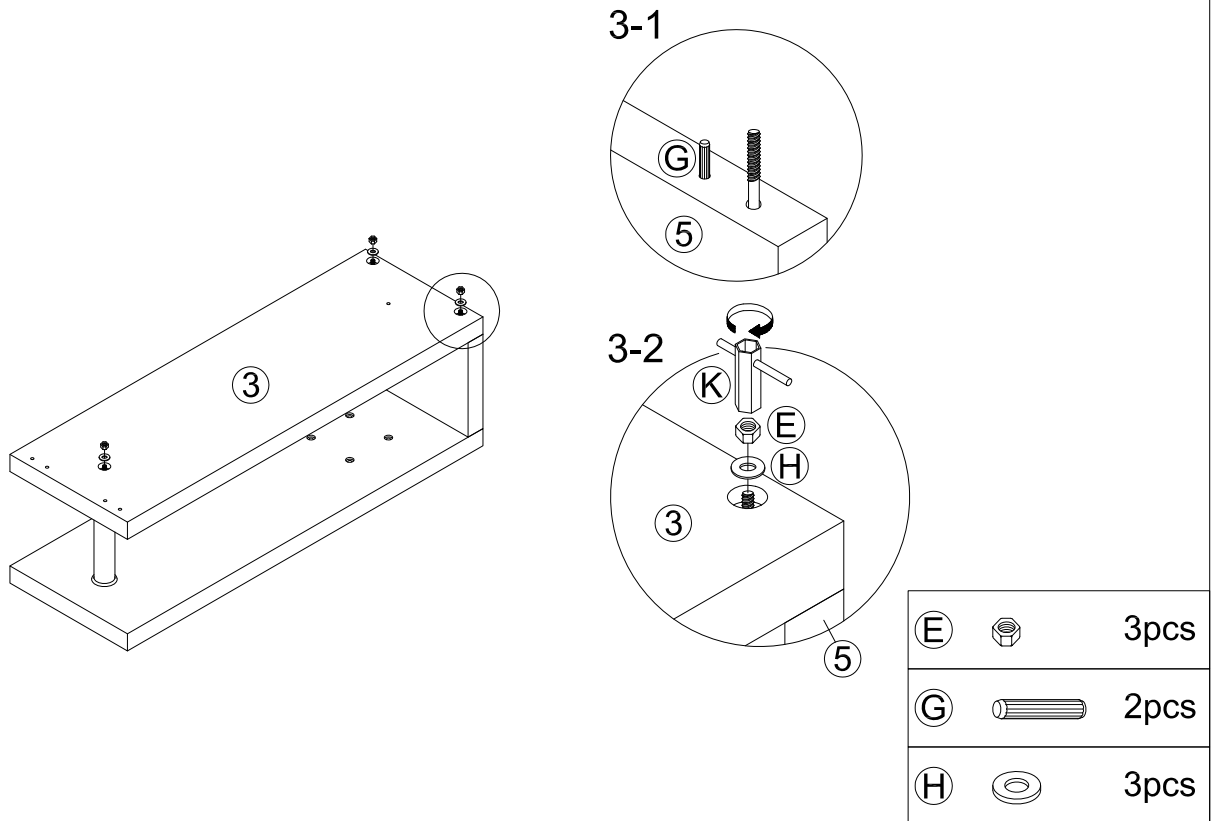
STEP 2.



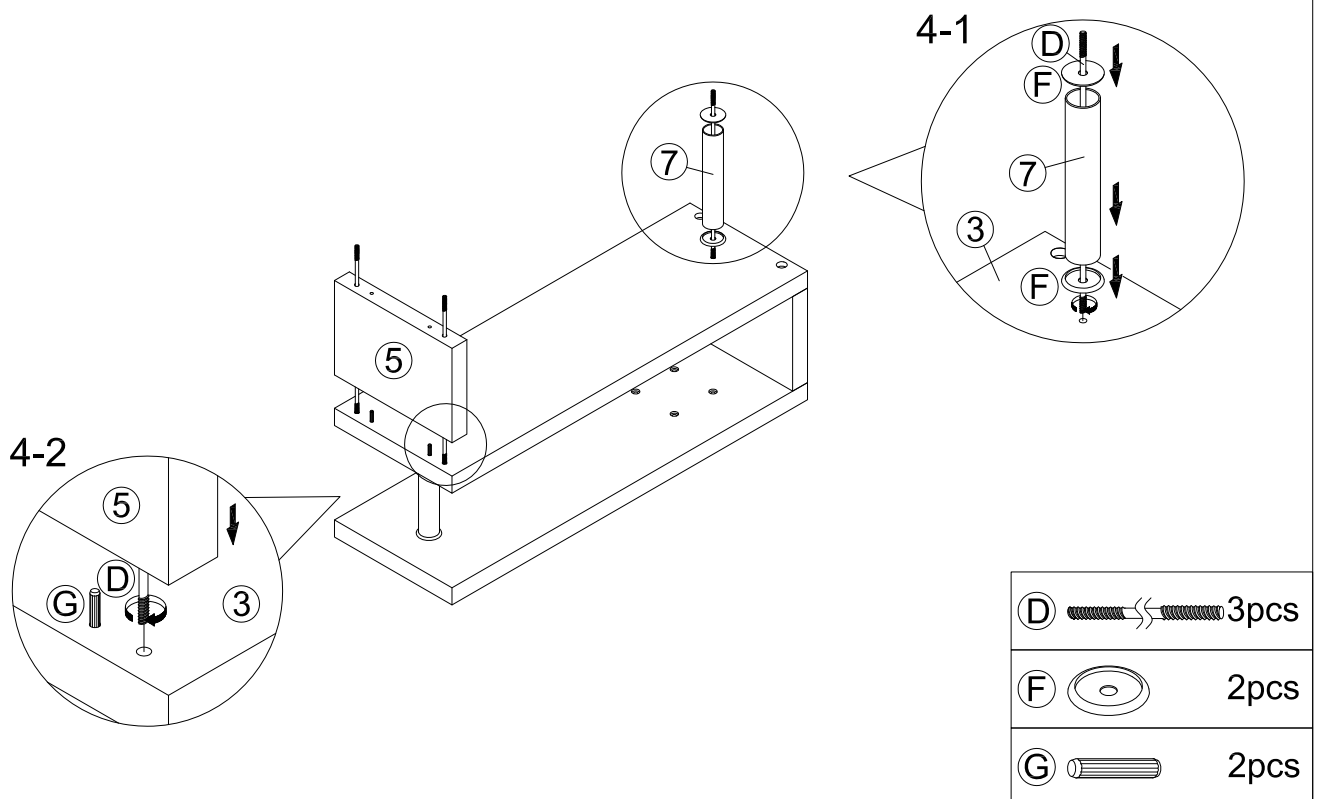
D		3pcs
F		2pcs
G		2pcs

How to Assemble:

STEP 3.

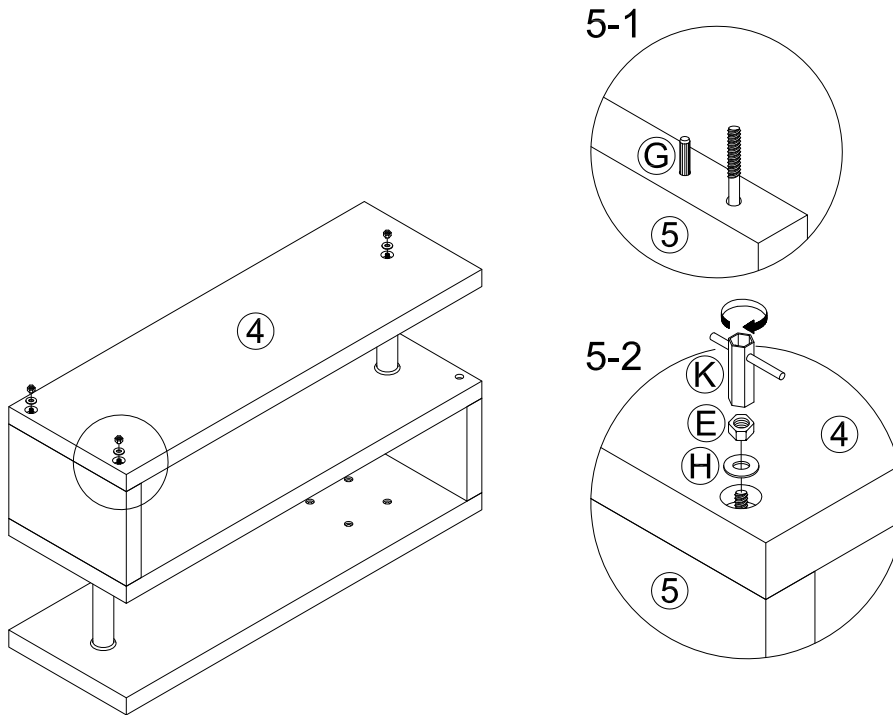


STEP 4.



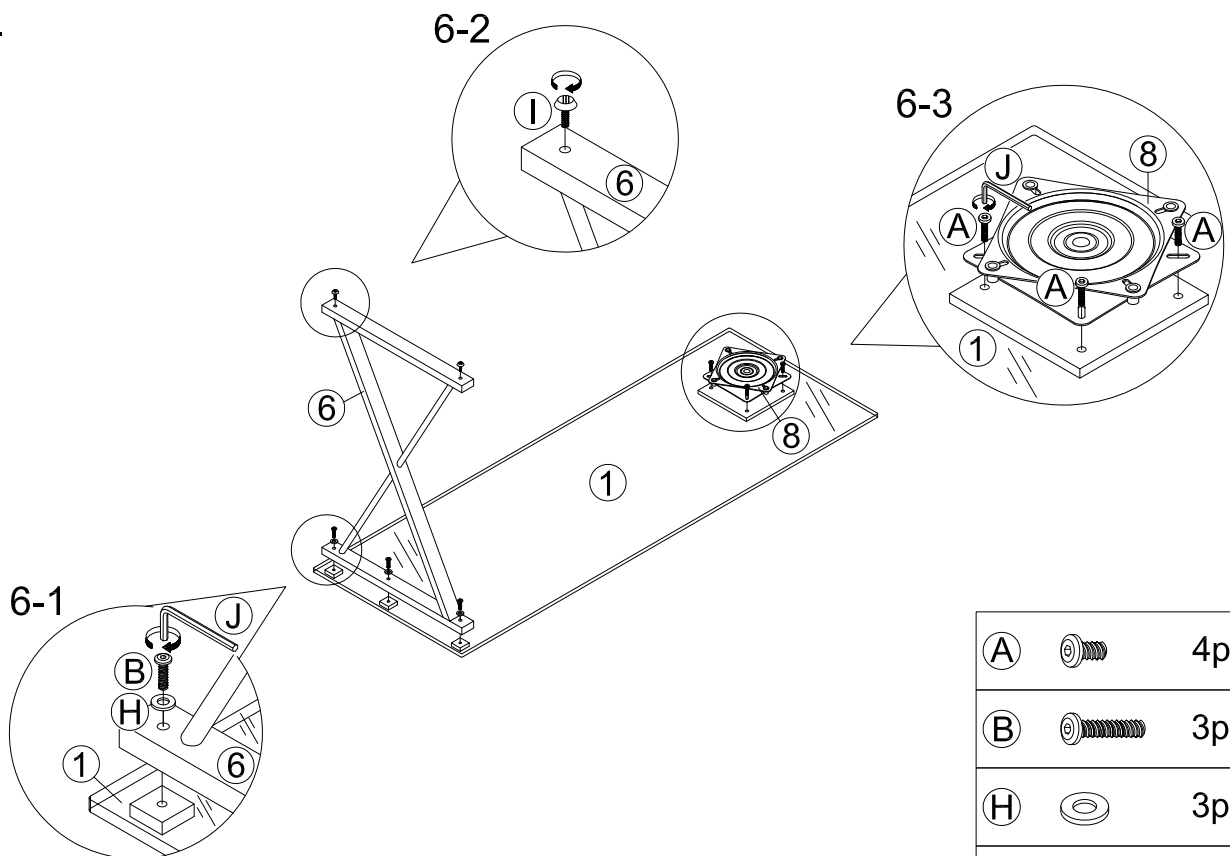
How to Assemble:

STEP 5.



(E)		3pcs
(G)		2pcs
(H)		3pcs

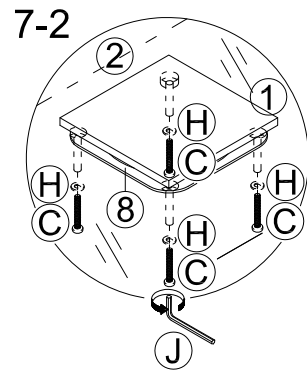
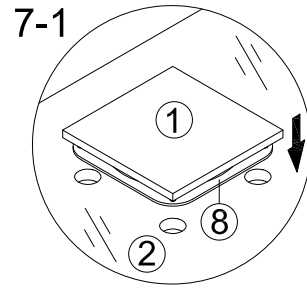
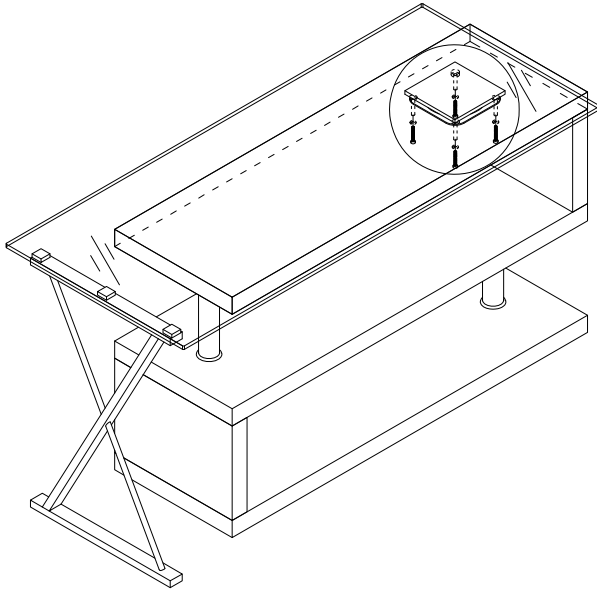
STEP 6.





(A)		4pcs
(B)		3pcs
(H)		3pcs
(I)		2pcs

How to Assemble:

STEP 7.



(C)		4pcs
(H)		4pcs

STEP 8.

