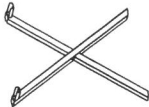
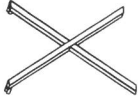
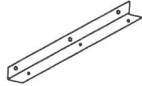

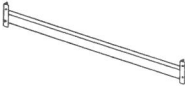

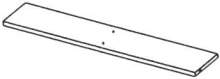
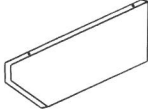




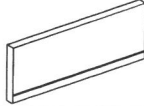
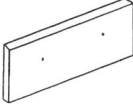

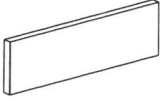
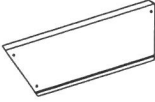
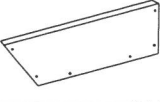
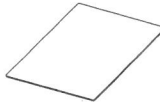
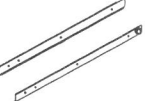
ASSEMBLY INSTRUCTION FOR ACME FURNITURE

MODEL#92340

Thank you for purchasing this quality product. Be sure to check all packing material carefully for small parts which may have come loose inside the carton during shipment. Separate, identify and count all parts and metal hardware. Compare with parts list to be sure all parts are present. If any part(s) are missing or damaged, please contact your local furniture dealer. For efficient and speedy service, please indicate the model number and code letter of part(s) needed.

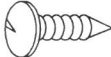
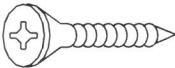
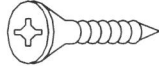

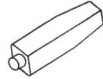
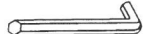
*****Do not fully tighten screws until fully assembled*****

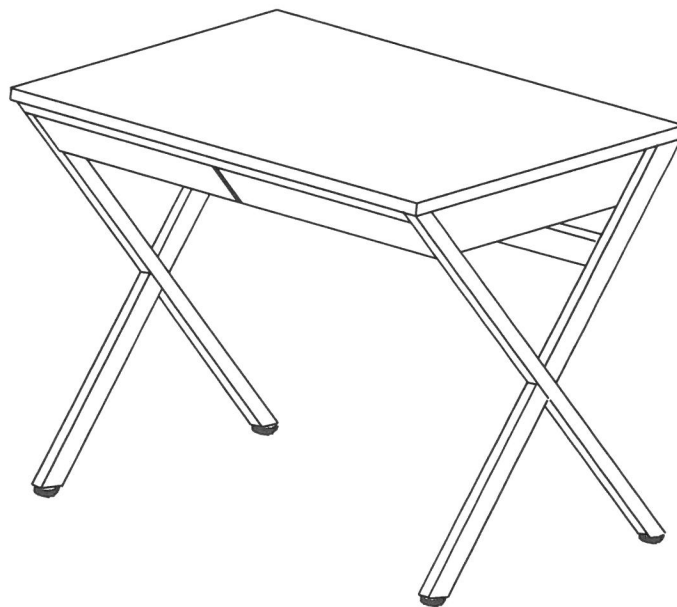
COMPONENT PARTS			
DESCRIPTION	PART NAME		Q'TY (PCS)
①	LEFT SIDE PANEL		1
②	RIGHT SIDE PANEL		1
③	L METAL		3
④	STRETCHER		2
⑤	BACK STRETCHER		1
⑥	TOP BOARD		1
⑦	BACK BOARD		1
⑧	RIGHT BOARD		1
⑨	LEFT BOARD		1
⑩	MIDDLE BOARD		1

⑪	DRAWER BACK		2
⑫	DRAWER FRONT BOARD		2
⑬	DRAWER FRONT RIGHT		1
⑭	DRAWER FRONT LEFT		1
⑮	DRAWER BOARD LEFT		2
⑯	DRAWER BOARD RIGHT		2
⑰	DRAWER BOTTOM BOARD		2
⑱	METAL GLIDE(L & R/SET)		2

HARDWARE REQUIRED

①		LEVELER	1/4" x 15mm	4 PCS
②		WOOD DOWEL	30mm	8 PCS
③		BOLT	30mm	4 PCS
④		BOLT	12mm	12 PCS
⑤		BOLT	21mm	4 PCS

ⓕ		SCREW	12mm	18 PCS
ⓖ		SCREW	32mm	6 PCS
ⓗ		SCREW	25mm	16 PCS
ⓘ		SCREW	12mm	12 PCS
ⓙ		GLUE		1 PC
Ⓚ		ALLEN KEY	1/4"	1 PC

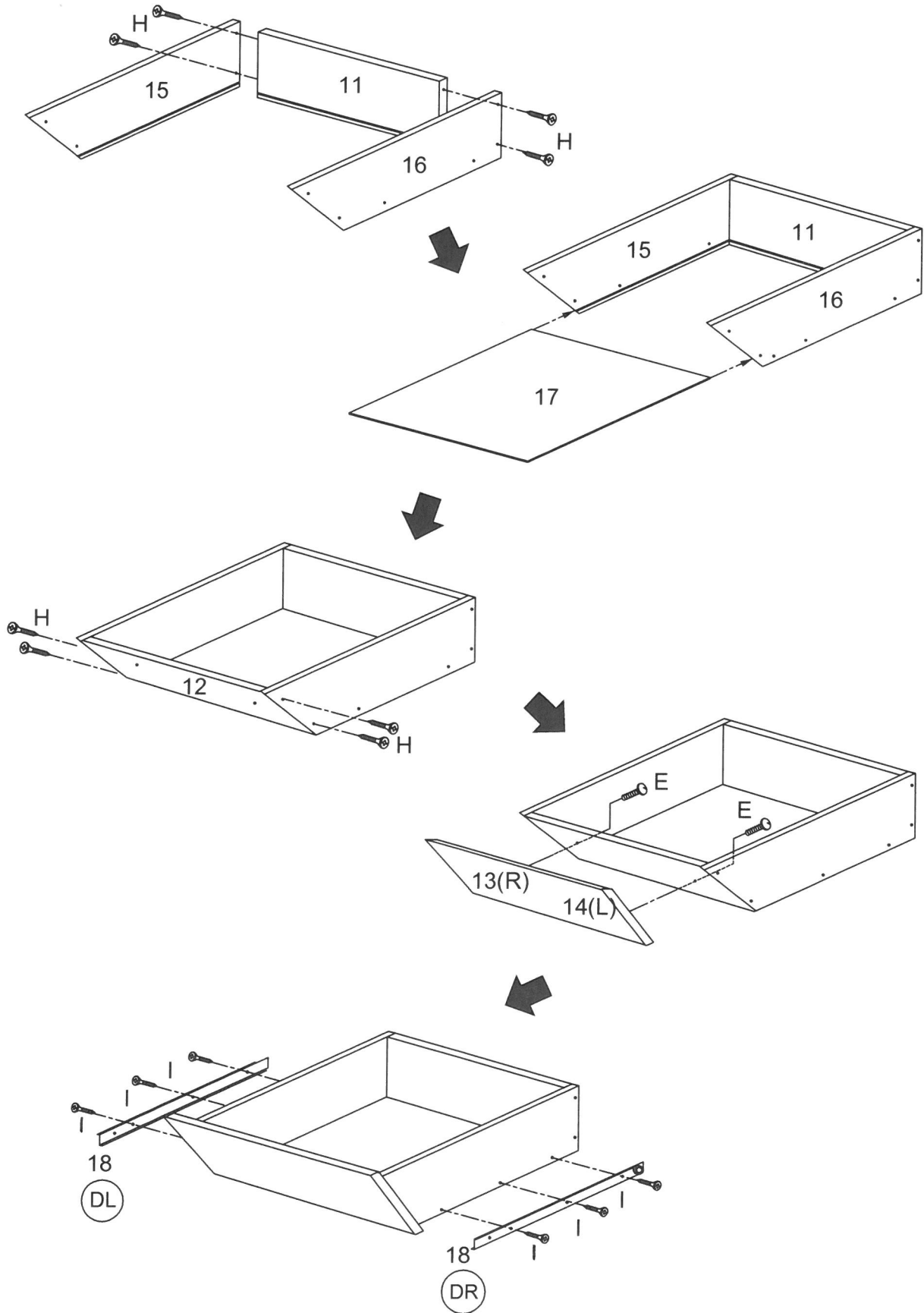


Attention

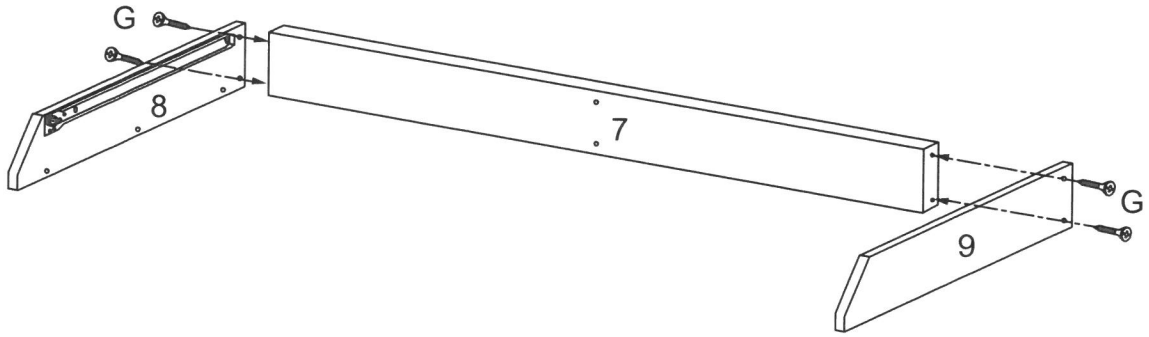
***Some number parts listed on the instruction sheet may not be in parts bag as they may be assembled.
Carefully check parts and packing materials prior to ordering replacements.

How to assemble:

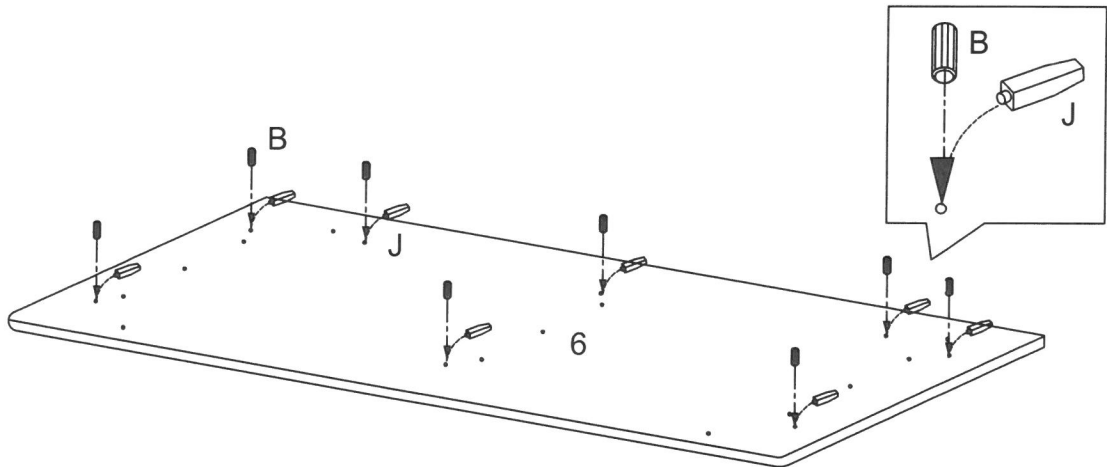
STEP 1



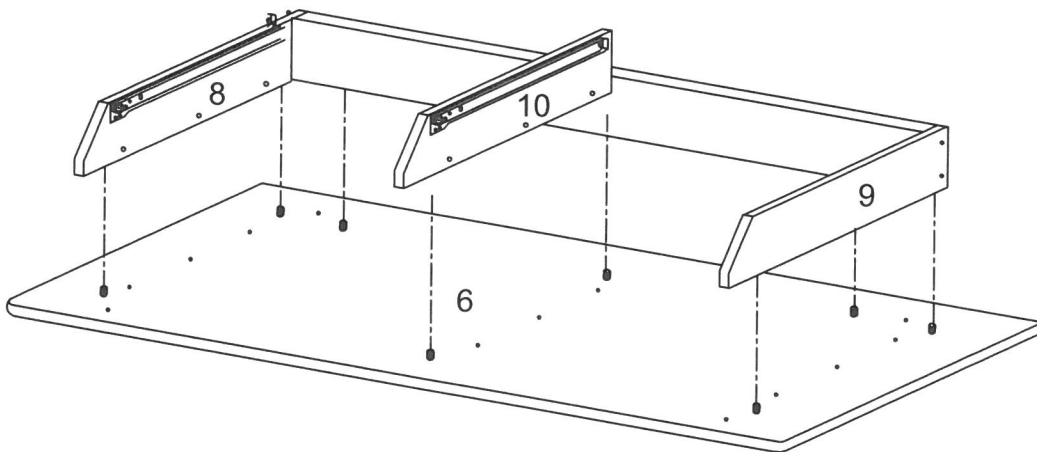
STEP 2



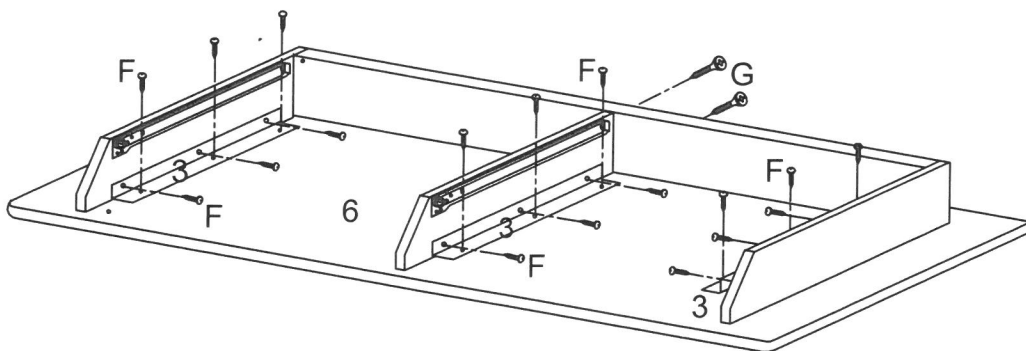
STEP 3



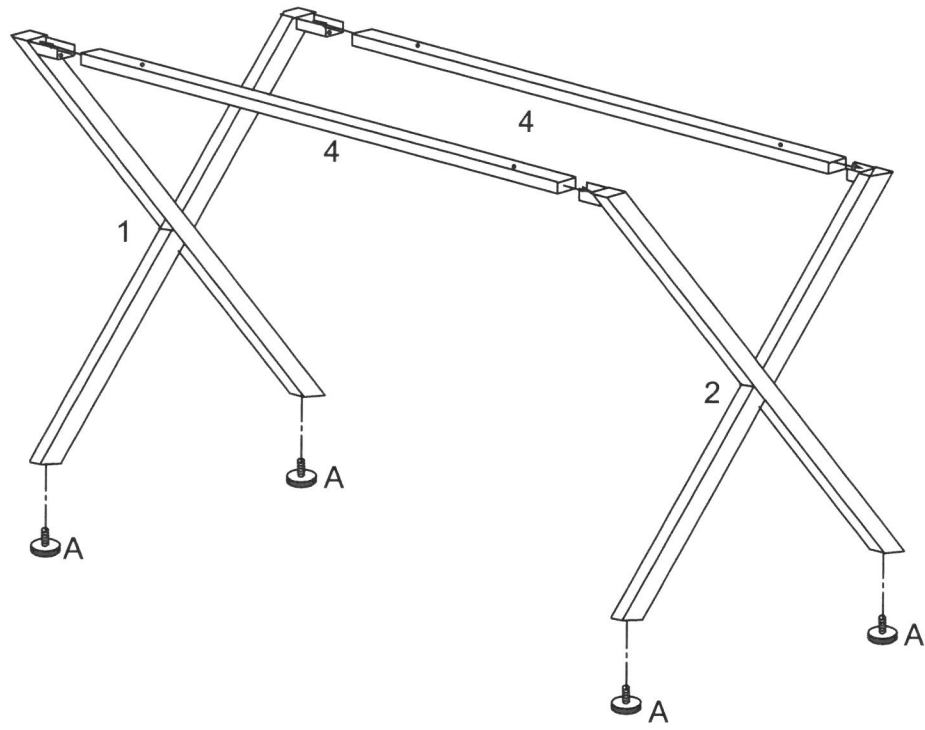
STEP 4



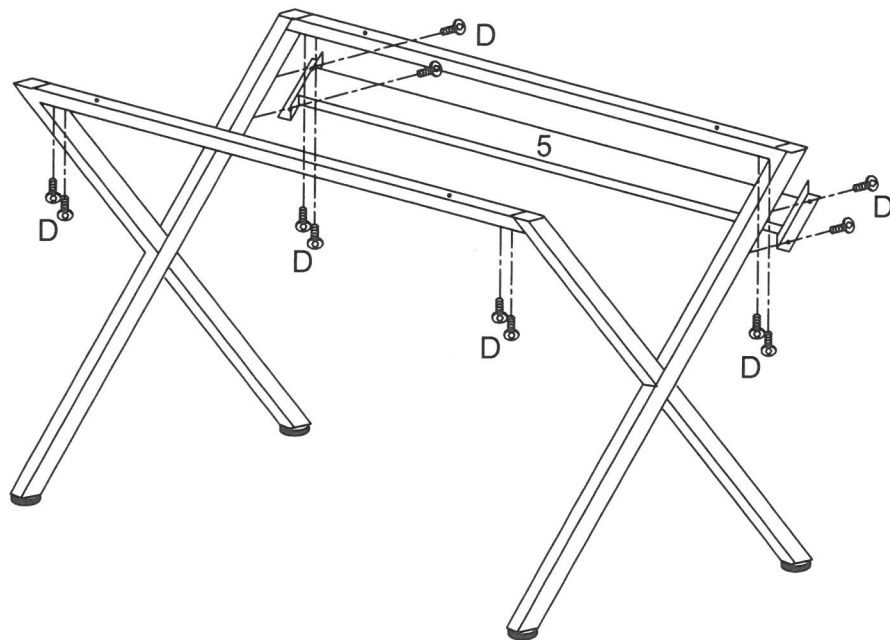
STEP 5



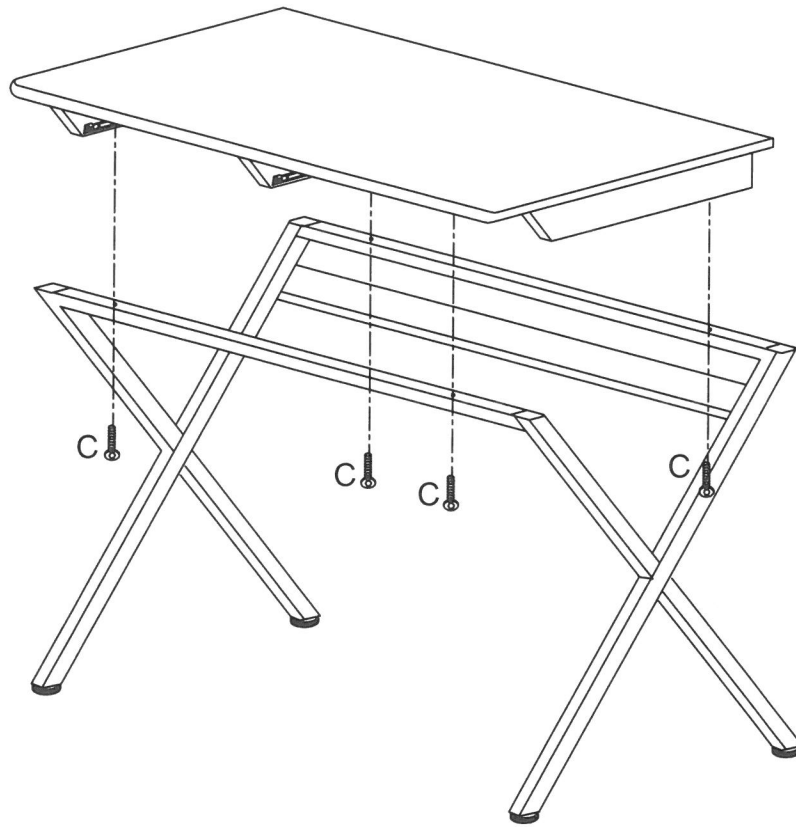
STEP 6



STEP 7



STEP 8



STEP 9

