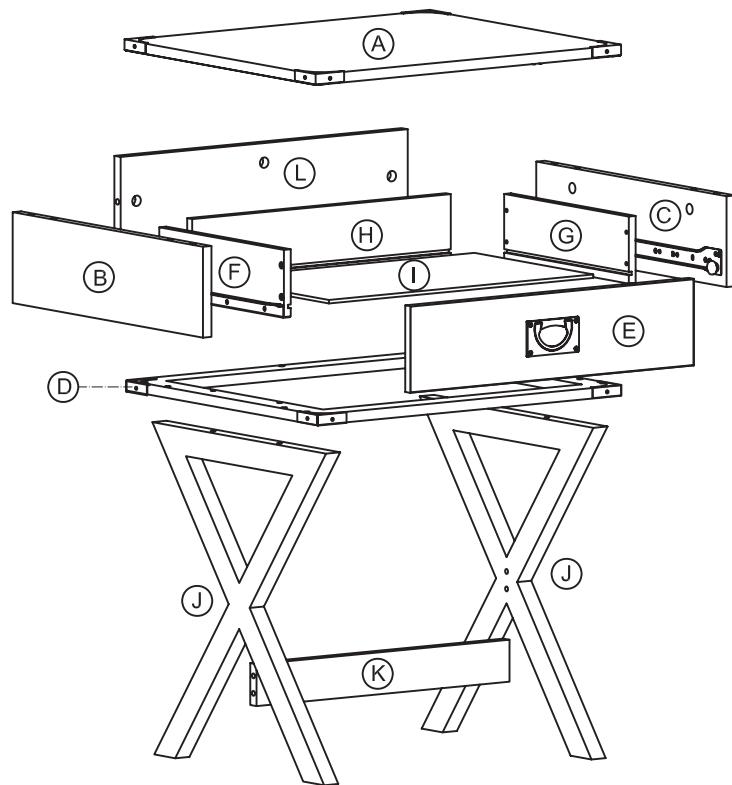
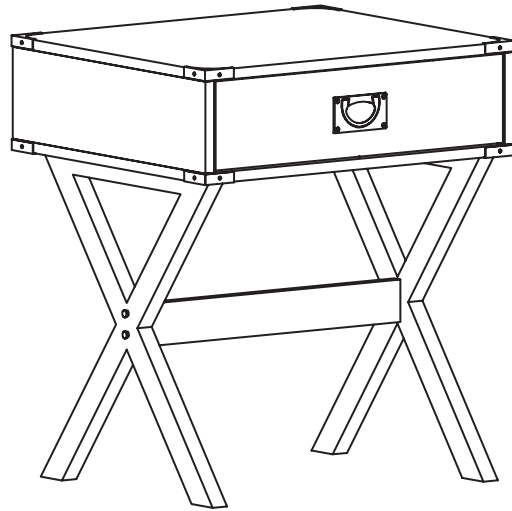











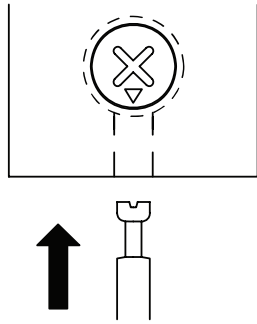
End Table



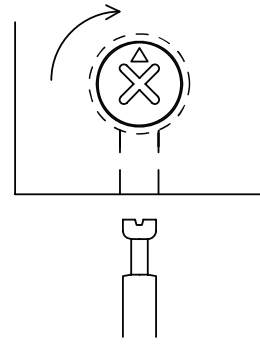
1		7 pcs	2		8 pcs	3		7 pcs
4		13 pcs	5		4 pcs	6		1 pc
7		4 pcs	8		4 pcs	9		4 pcs

CAM LOCK SYSTEM

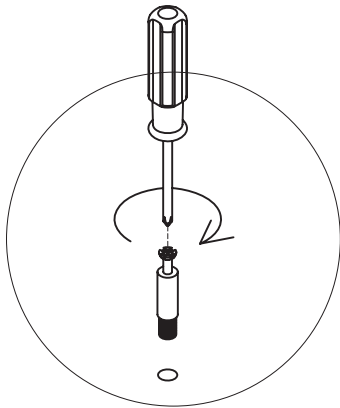
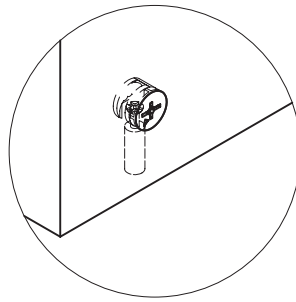
(1)



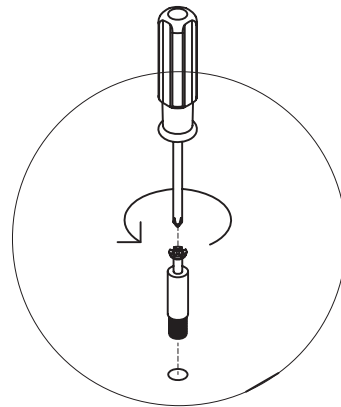
(2)



IMPORTANT NOTE--CAM LOCK ADJUSTMENT

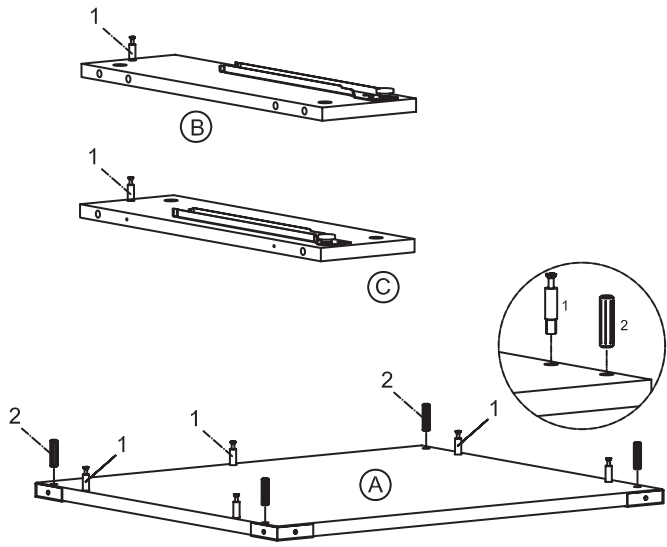


If Cam Lock
is too loose,
Please adjust Metal
Dowel to turn right
as drawing.

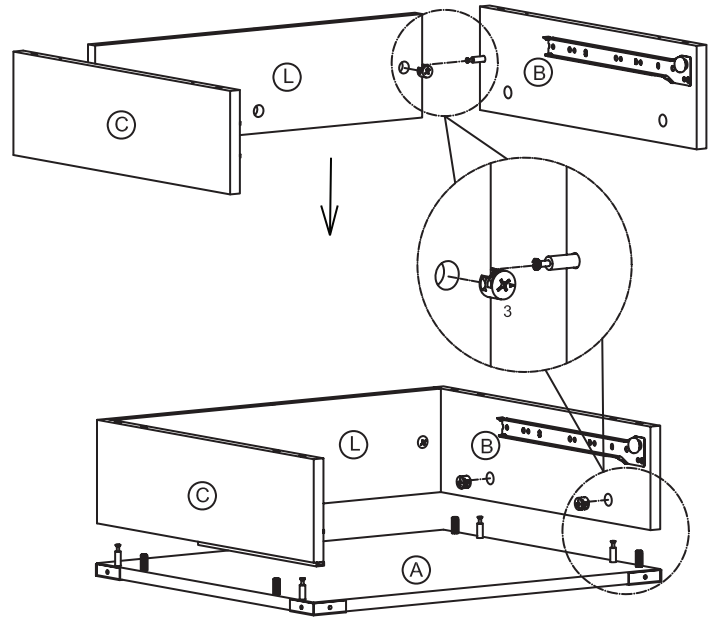


If Cam Lock
is too tight,
Please adjust Metal
Dowel to turn left
as drawing.

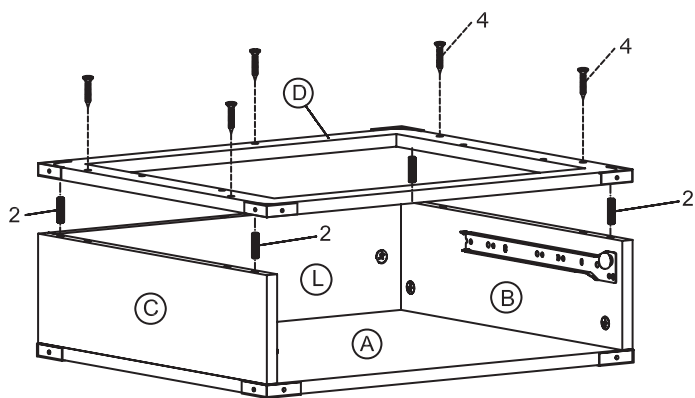
Step 1



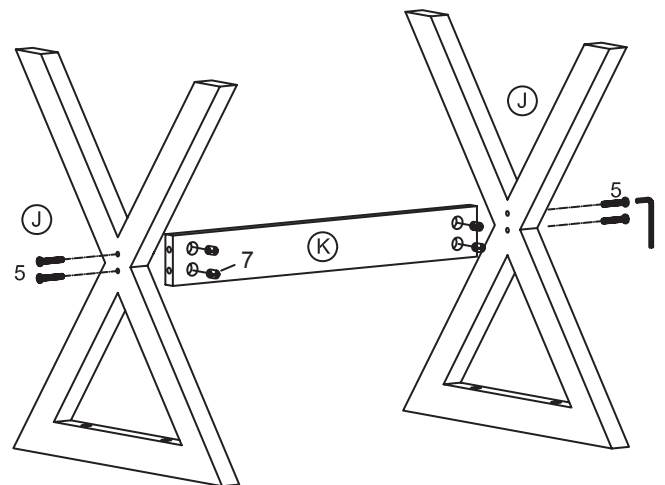
Step 2



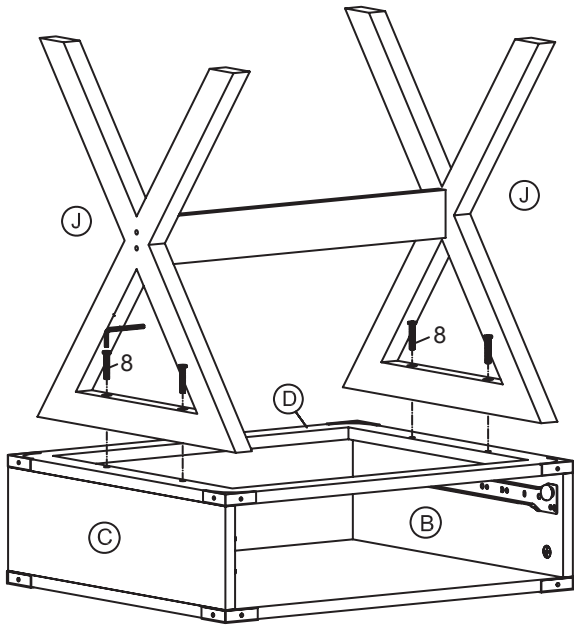
Step 3



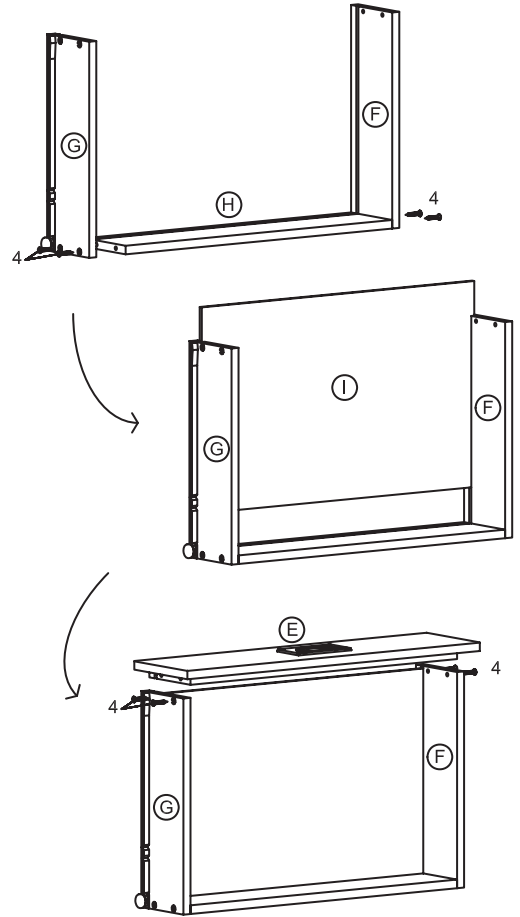
Step 4



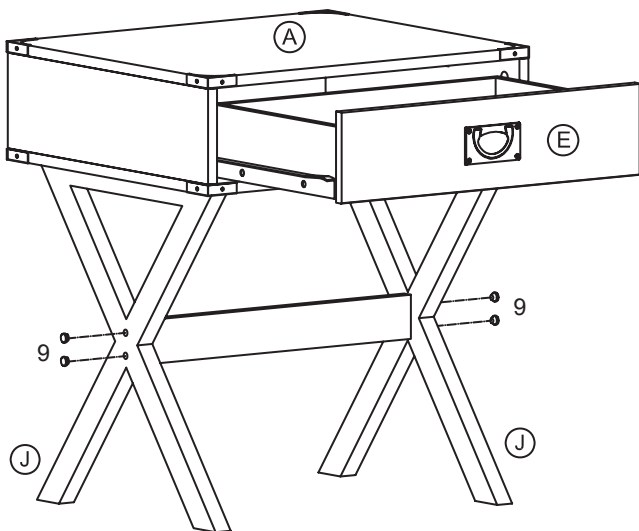
Step 5



Step 6



Step 7



Step 8

