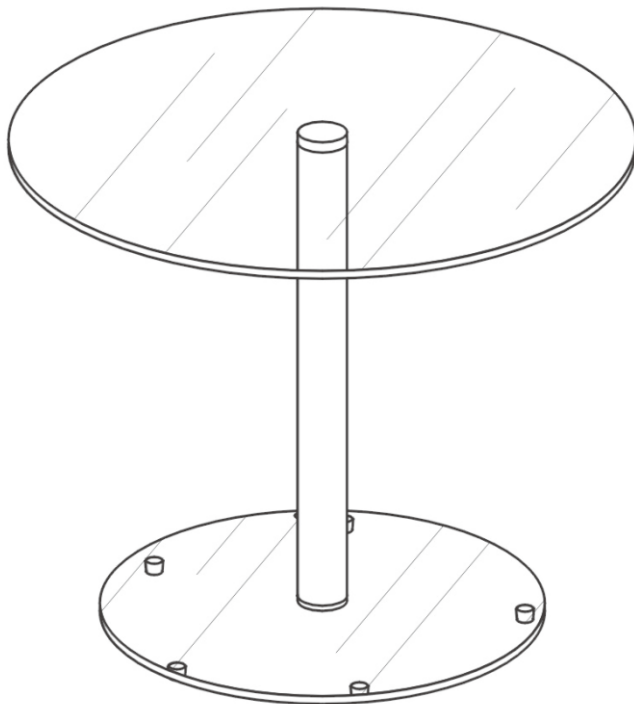


# ASSEMBLY INSTRUCTIONS

81940/81942/81944/81946



END TABLE

# ASSEMBLY INSTRUCTIONS

D x2



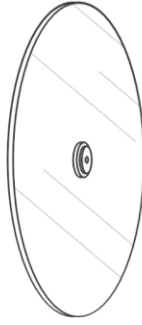
E x5



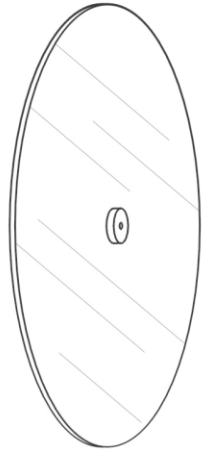
C x1



B x1

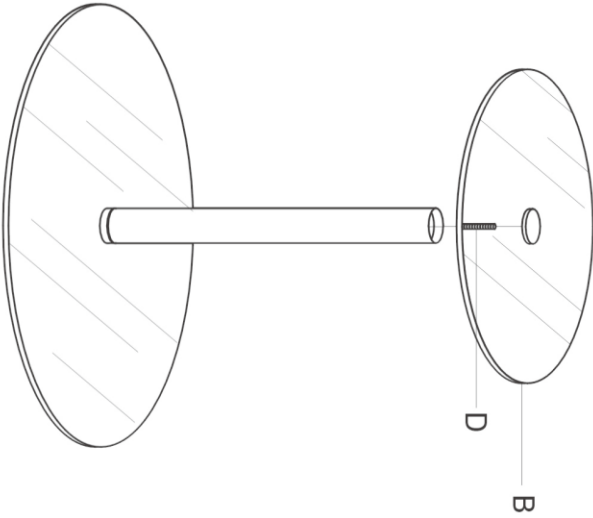


A x1



1

2



3

