

ACME

FURNITURE

ASSEMBLY INSTRUCTIONS

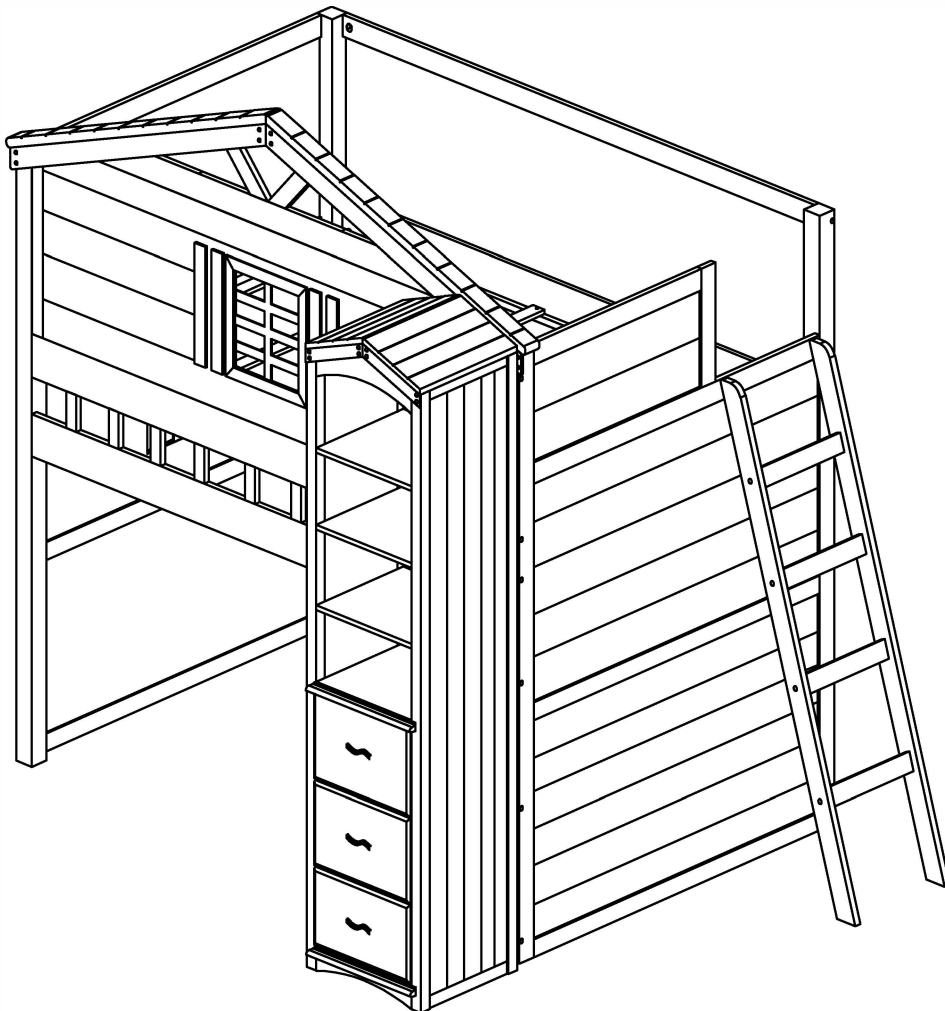
Item No: #10160

#37165

#BD01415


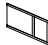

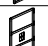


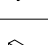
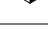


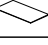
*** Thank you for purchasing this quality product. Be sure to check all packing materials carefully for small parts which may have come loose inside the carton during shipment. Identify and count all parts and compare with parts list below.

*** Assemble product on a flat, soft surface such as a carpet or cloth to prevent scratching the finish. Read all instruction and study the drawings carefully before starting the assembly process.




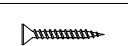
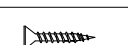


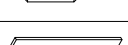
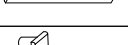



IMPORTANT: Do not tighten bolts completely until all bolts are completely lined up and inserted into holes

PARTS LIST

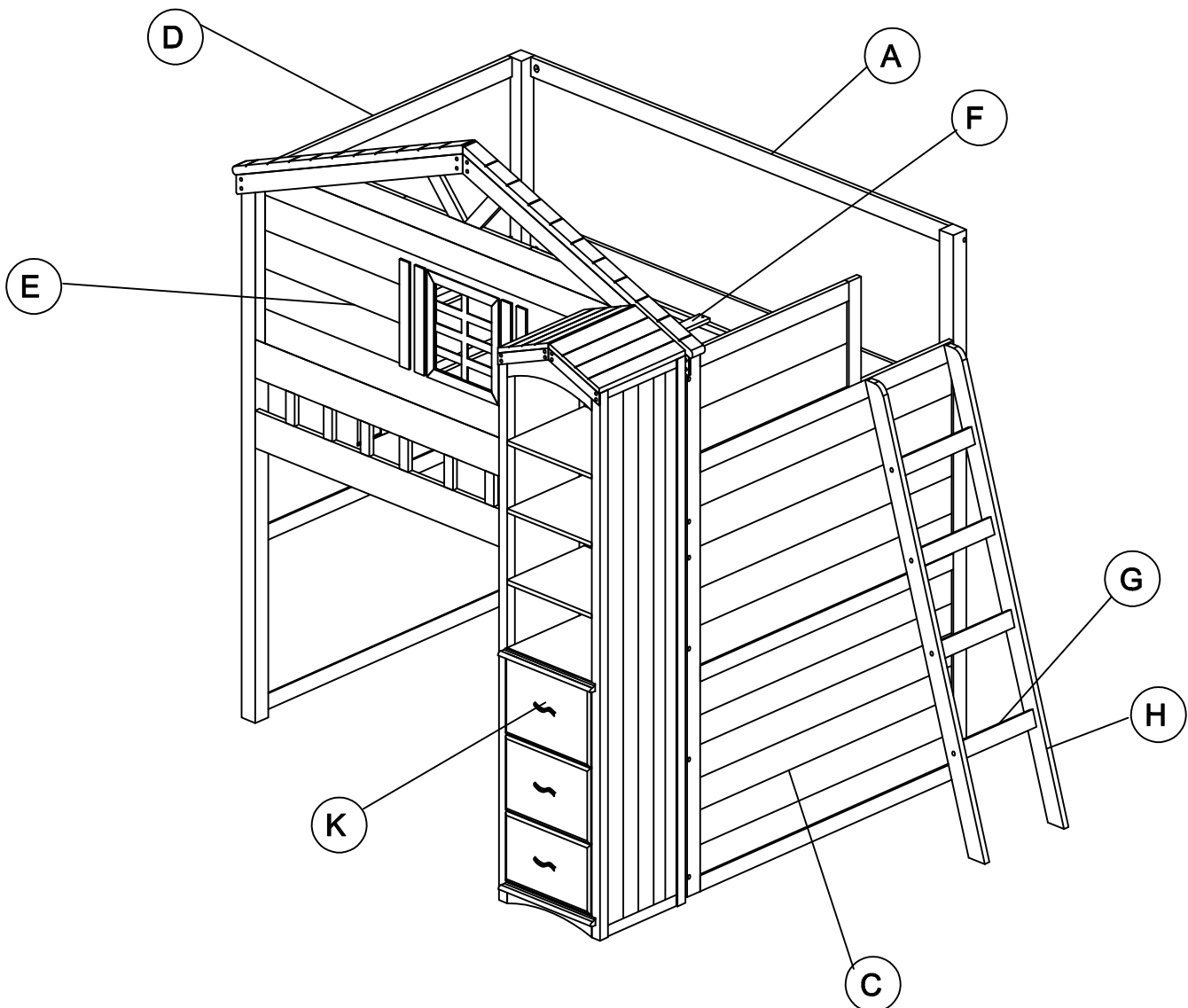
NO.	DIAGRAM	PART NAME	Q'Ty
A		BACK UPPER PANEL	1 pc
B		BACK LOWER PANEL	1 pc
C		SIDE ASS'Y	1 pc
D		SIDE ASS'Y	1 pc
E		FRONT ASS'Y	1 pc
F		SLAT	1 sets
G		LADDER STEP	5 pcs
H		LADDER SIDE	2 pcs
I		SIDE PANEL	1 pc
J		TABLE PANEL	1 pc
K		CHEST	1 pc

HARDWARE LIST






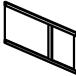











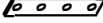



NO.	DIAGRAM	PART NAME	Q'Ty
1A		LONG BOLT 6.3X30	12 pcs
1B		LONG BOLT 6.3X40	7 pcs
2		ALLEN KEY	1 pc
3		LONG SCREW 4X35mm	12 pcs
4		SHORT SCREW 4X20mm	6 pcs
5		LONG SCREW BOLT 7X35mm	10 pcs
6		WOOD DOWEL 10X35mm	4 pcs
7		BRACKET	1 pc
8		L BRACKET SHELF SUPPORTER	4 pcs
9		SHORT SCREW 3.5X15mm	4 pcs

TOOL REQUIRED:

 Cross-head Screwdriver (Not provided)

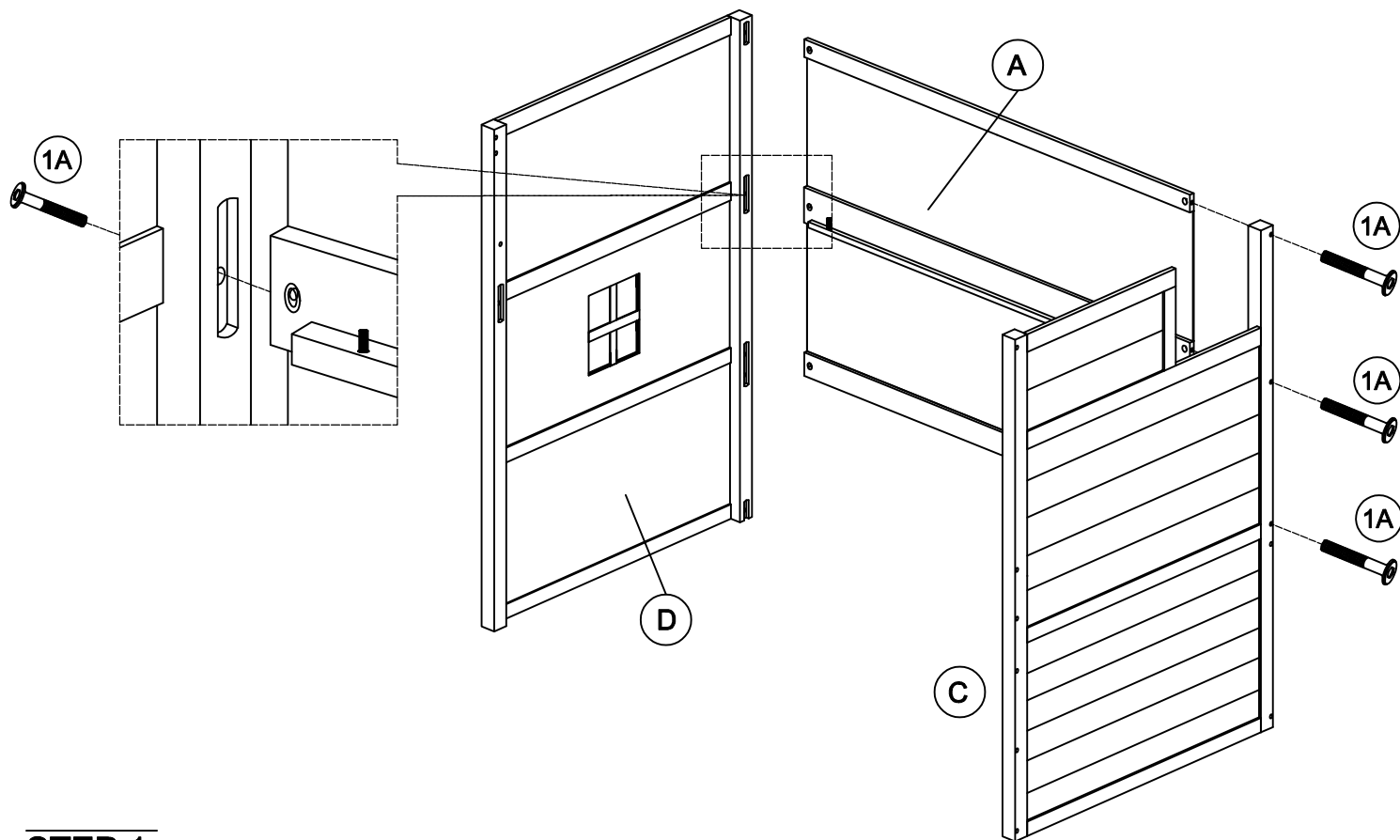


#10160 & #37165 & #BD01415 is packed in 3 cases

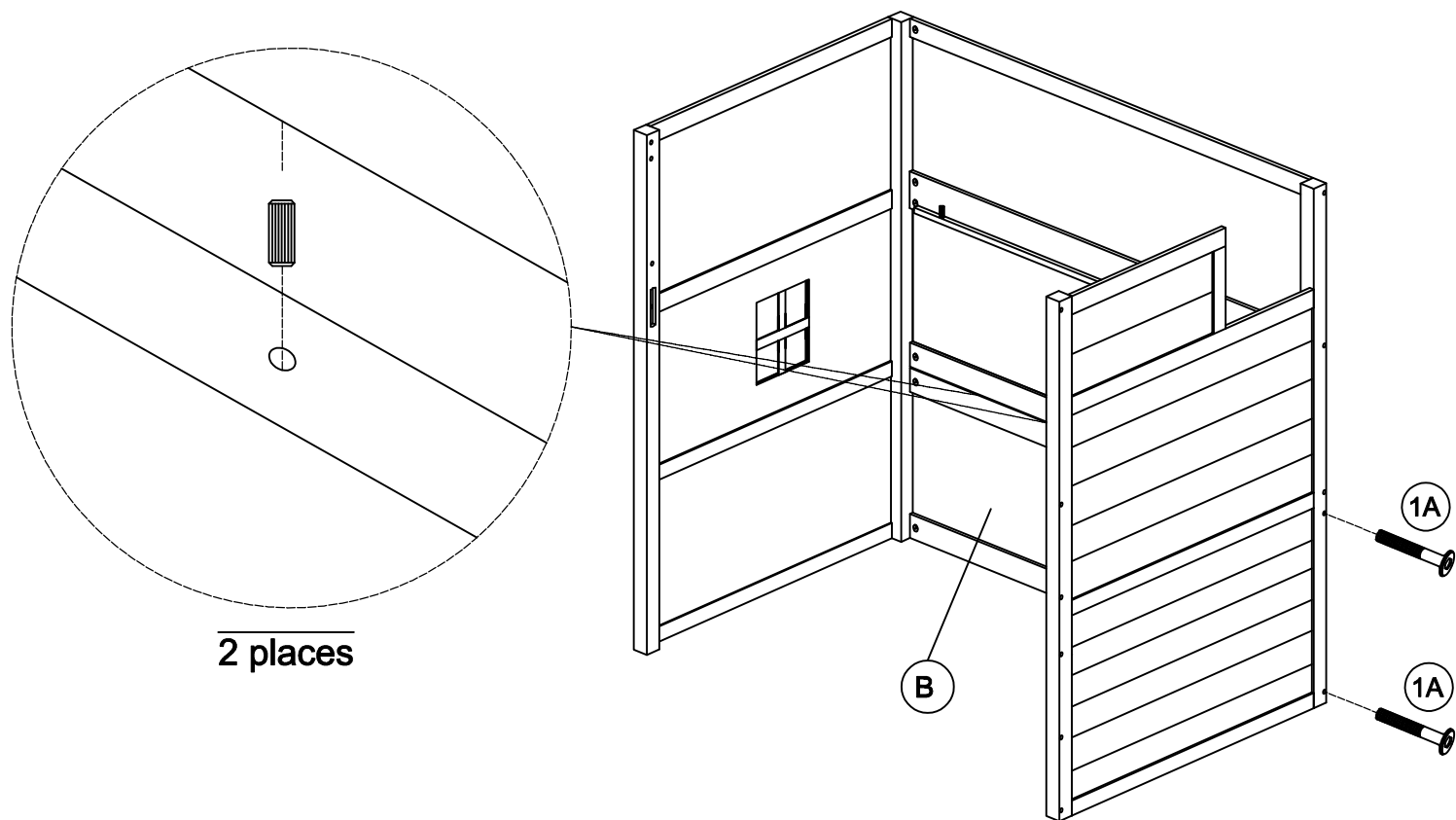
Carton	Disignation	Part		Hardware
Item: #10160HF #37165HF #BD01415-1	SIDE LEFT ASS'Y x 1pc	A		
	SIDE RIGHT ASS'Y x 1pc	B		
	TABLE PANEL x 1pc	C		
Item: #10161RL #37166RL #BD01415-2	BACK UPPER PANEL x 1pc	D		 1A: LONG BOLT 6.3X30 - 12 PCS
	BACK LOWER PANEL x 1pc	E		 1B: LONG BOLT 6.3X40 - 7 PCS
	FRONT ASS'Y x 1pc	F		 2: ALLEN KEY - 1 PC
	SLAT x 1set (6pcs)	G		 3: LONG SCREW 4X35mm - 12 PCS
	STEP x 5pcs	H		 4: SHORT SCREW 4X20mm - 6 PCS
	LADDER SIDE x 2pcs	I		 5: LONG SCREW BOLT 7X35mm - 10 PCS
	SIDE PANEL x 1pc	J		 6: WOOD DOWEL 10X35mm -4 PCS
				 7: BRACKET 1 PC
				 8: L BRACKET SHELF SUPPORTER - 4 PC
				 9: SHORT SCREW 3.5X15mm - 4 PCS
Item: #10163CH #37168 #BD01416	Chest x 1pc	K		

Assembly Instruction

Boys Tree-house Loft Bed #10160 (GF0924)



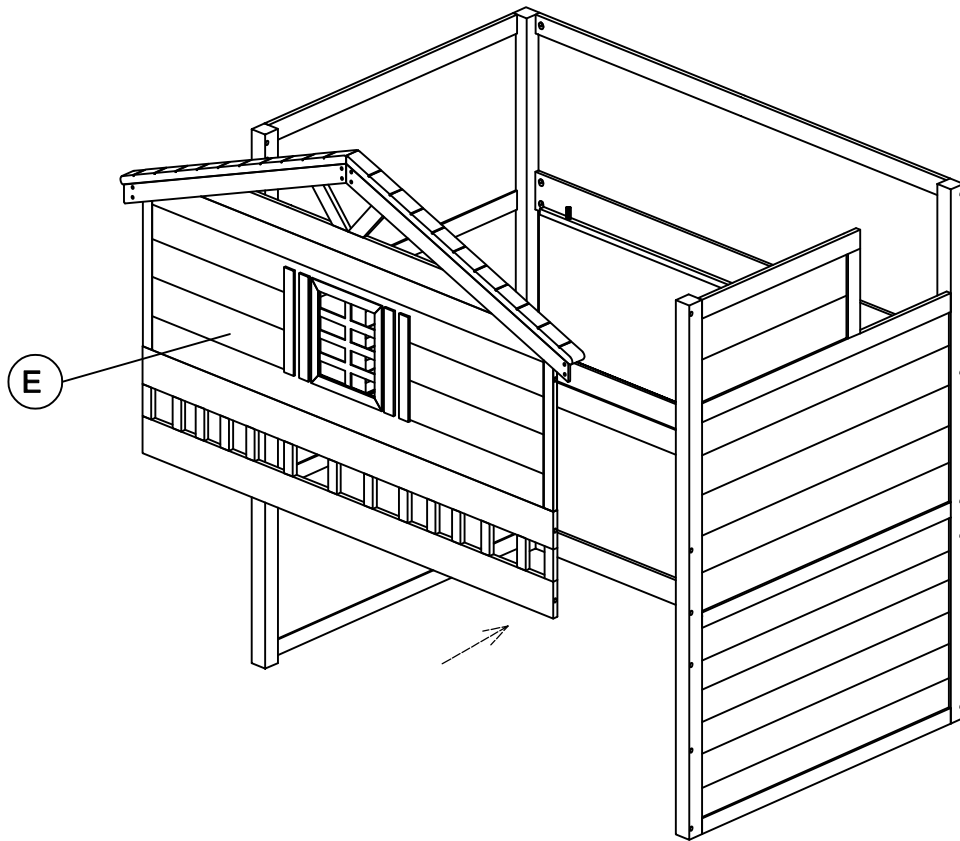
STEP 1:



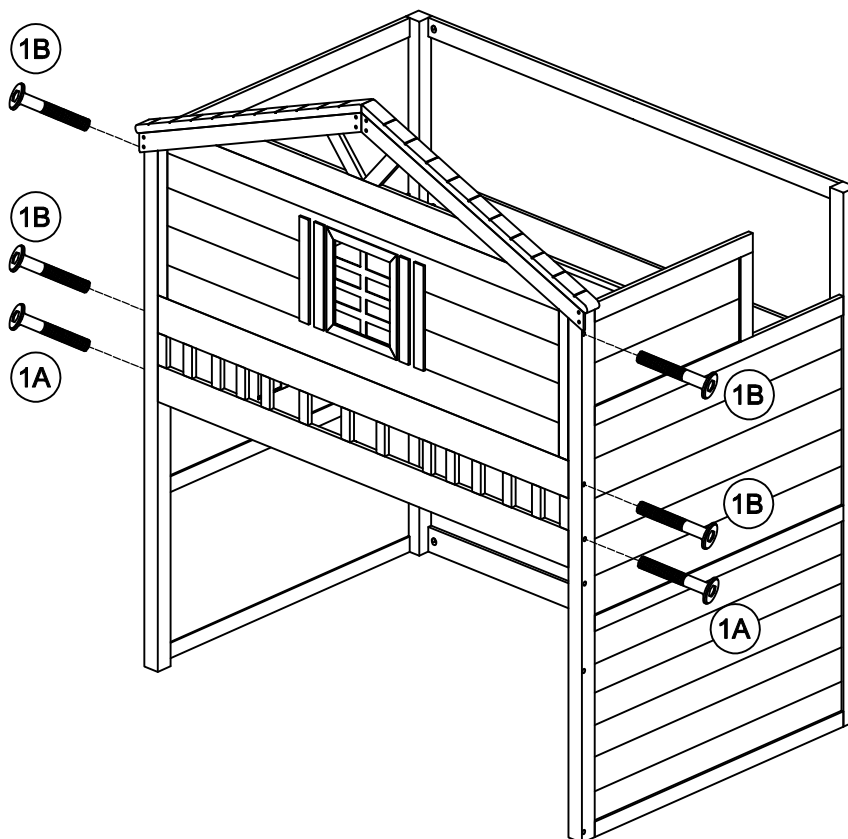
STEP 2:

Assembly Instruction

Boys Tree-house Loft Bed #10160 (GF0924)



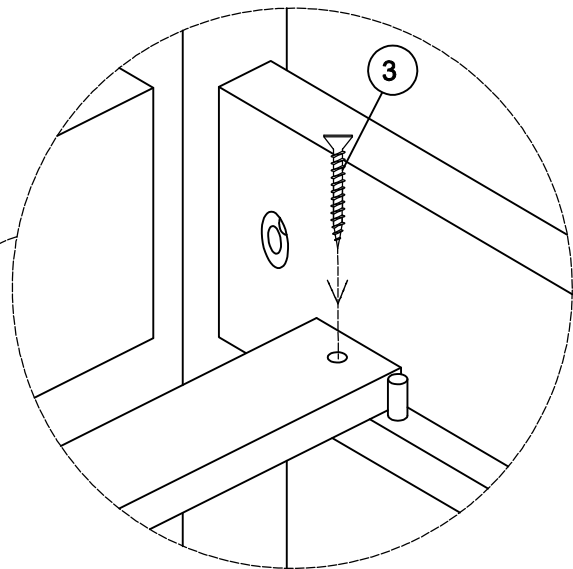
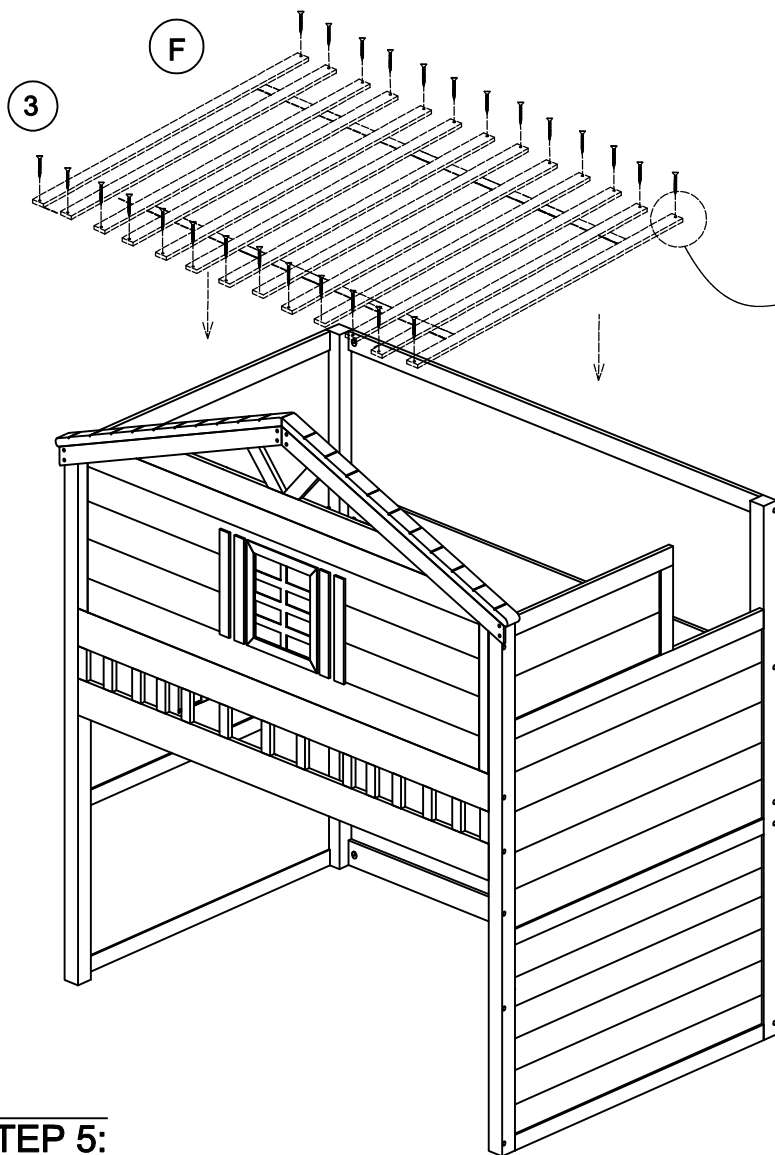
STEP 3:



STEP 4:

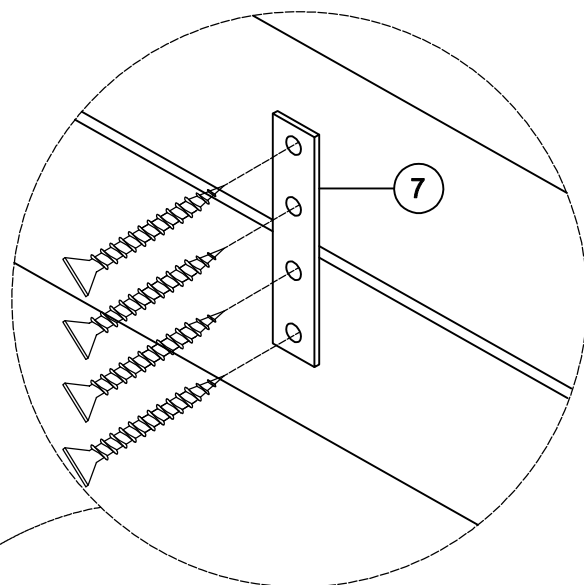
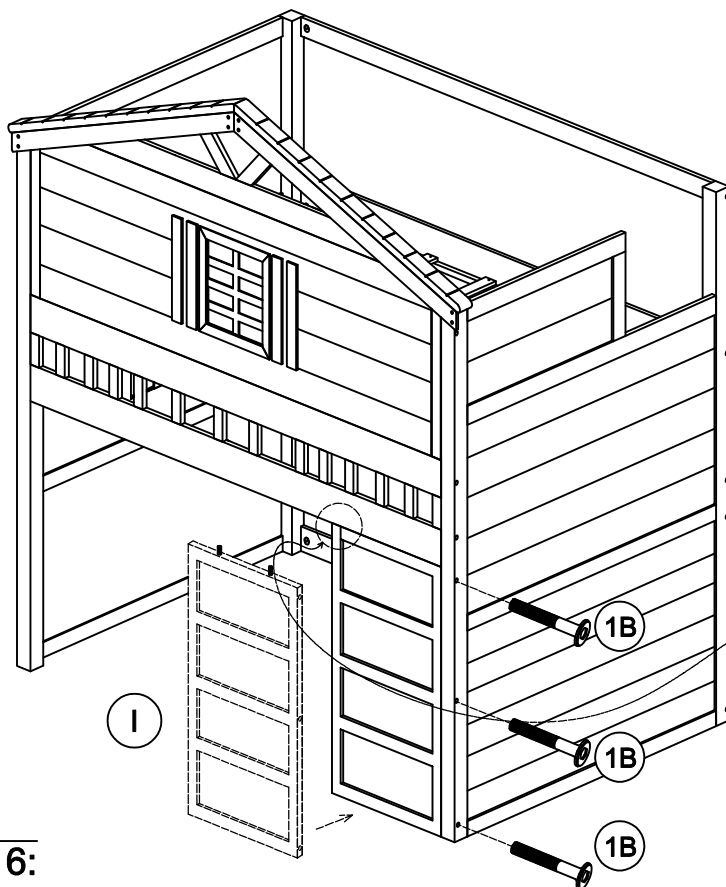
Assembly Instruction

Boys Tree-house Loft Bed #10160 (GF0924)



ATTACH SLAT AND SECURE BY SCREW

STEP 5:

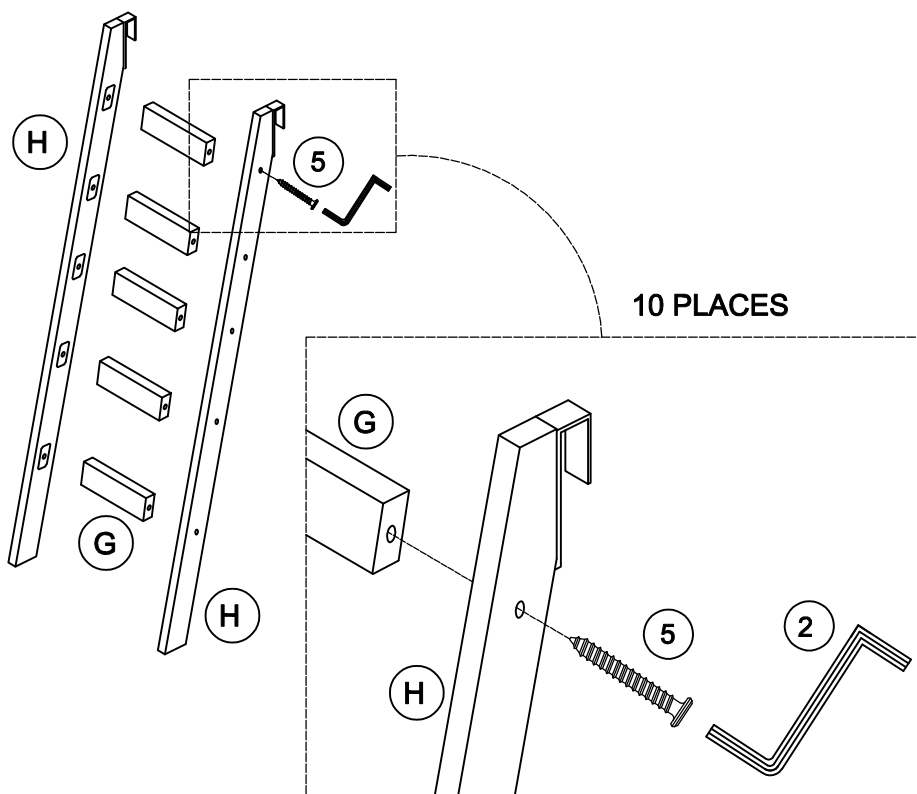


ATTACH AND USING HARDWARE TO TIGHTEN SIDE PANEL TO THE SIDERAIL AS SHOWN

STEP 6:

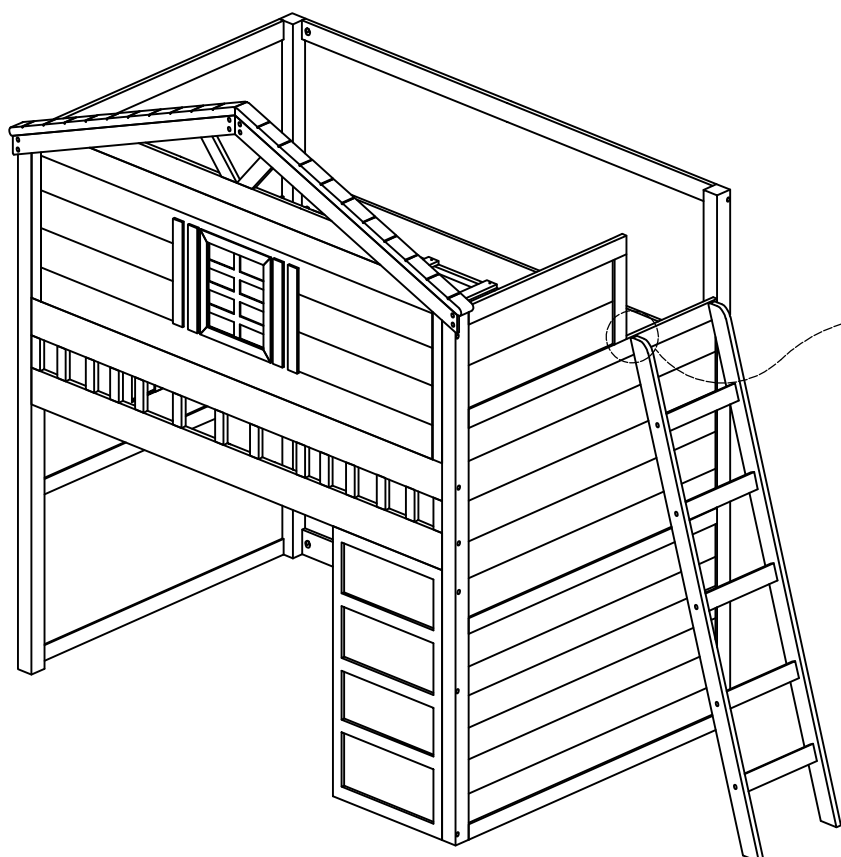
Assembly Instruction

Boys Tree-house Loft Bed #10160 (GF0924)



STEP 7:

ASSEMBLY LADDER AS SHOWN

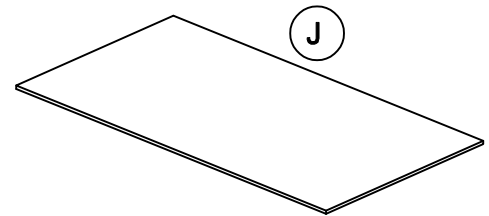
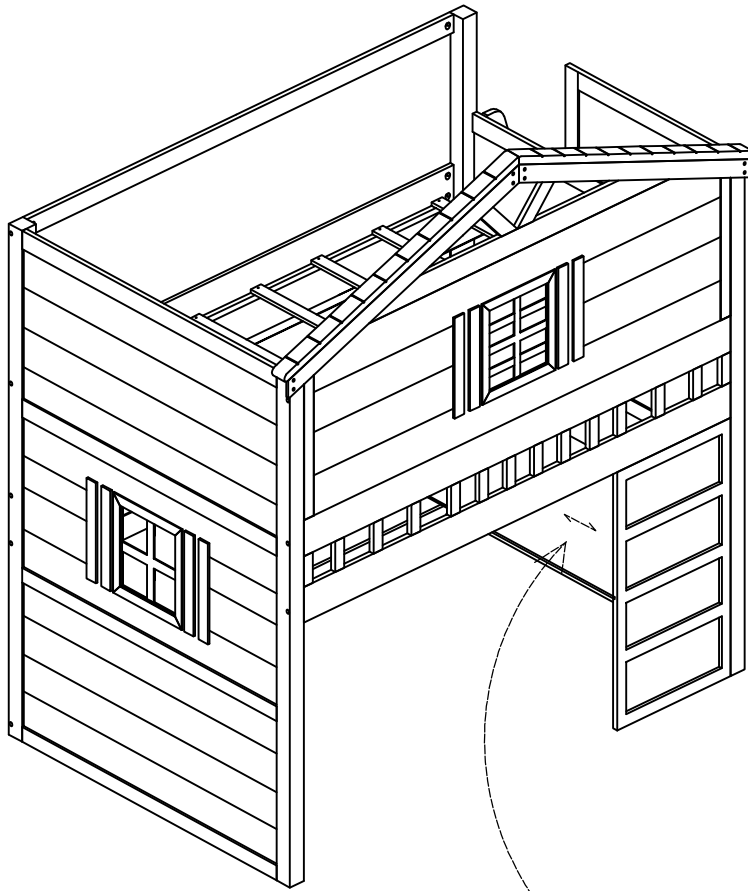


ATTACH AND TIGHTEN LADDER AS SHOWN

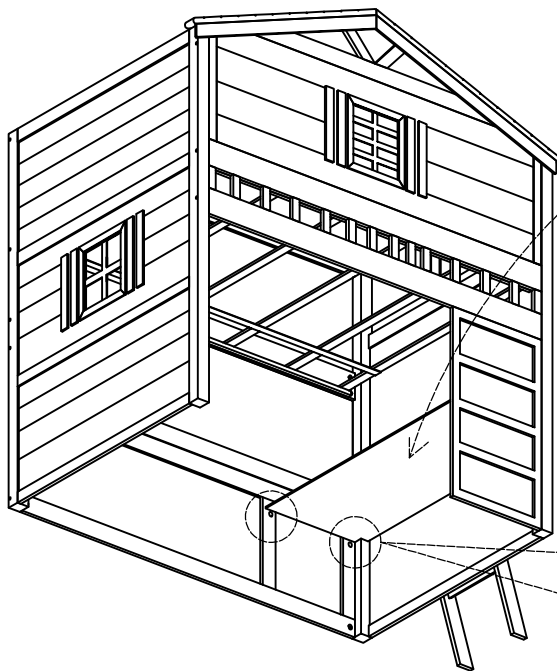
STEP 8:

Assembly Instruction

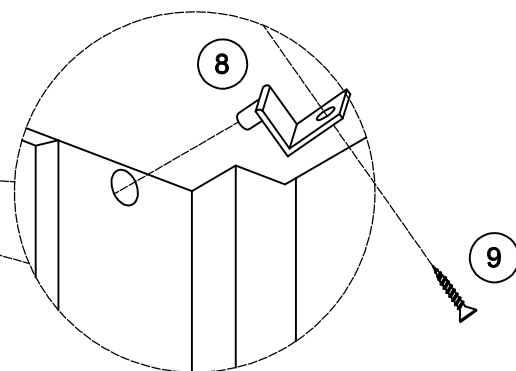
Boys Tree-house Loft Bed #10160 (GF0924)



ATTACH AND ASSEMBLY TABLE TOP PANEL AS SHOWN

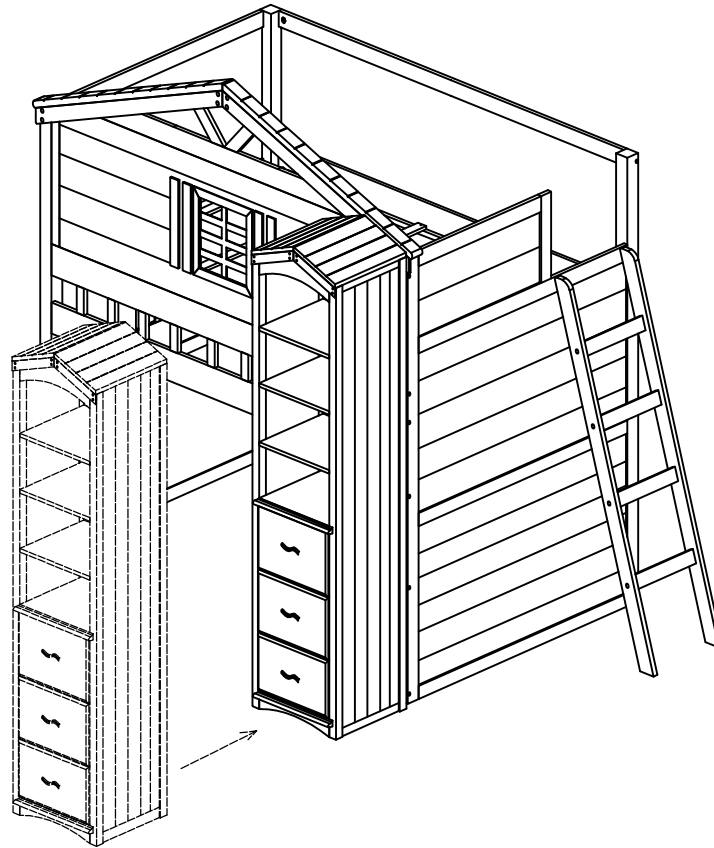


4 PLACES



Assembly Instruction

Boys Tree-house Loft Bed #10160 (GF0924)



STEP 10:

WARNING

To help prevent serious or fatal injuries from entrapment or falls:

1. Follow the information on the warning label appearing on the upper bunk end structure and on the carton. Do not remove warning label from bed.
2. Always use the recommended size mattress or mattress support, or both, to help prevent the likelihood of entrapment or falls. Use only a mattress which is 74"-75" long and 37-1/2" - 38-1/2" wide on the upper bunk.
3. Ensure thickness of upper mattress does not exceed 6" and top surface of mattress is at least 5" below the upper edge of guardrails.
4. Do not allow children under 6 years to use the upper bunk.
5. Periodically check and ensure that the guardrail, ladder, and other components are in their proper position, free from damage, and that all connectors are tight.
6. Do not allow horseplay on or under the bed and prohibit jumping on the bed.
7. Always use ladder for entering and leaving upper bunk.
8. Do not use substitute parts. Contact the manufacturer or dealer for replacement parts.
9. Use of a night-light may provide added safety precaution for a child using the upper bunk.
10. Always use guardrails on both long sides of the upper bunk. If the bunk bed will be placed next to a wall, the guardrail that runs the full length of the bed should be placed against the wall to prevent entrapment between the bed and the wall.
11. The use of water or sleep flotation mattresses is prohibited.
12. Never attach or hang items to any part of the bunk bed that are not designed for use with the bed, for example, but not limited to, hooks, belts and jump ropes.
13. Prohibit more than one person on upper bunk.
14. Maximum total weight not to exceed-150 lbs on the upper bunk, and maximum 200 lbs on lower bunk.
15. Keep these instructions for future reference.