

Assembly Instructions

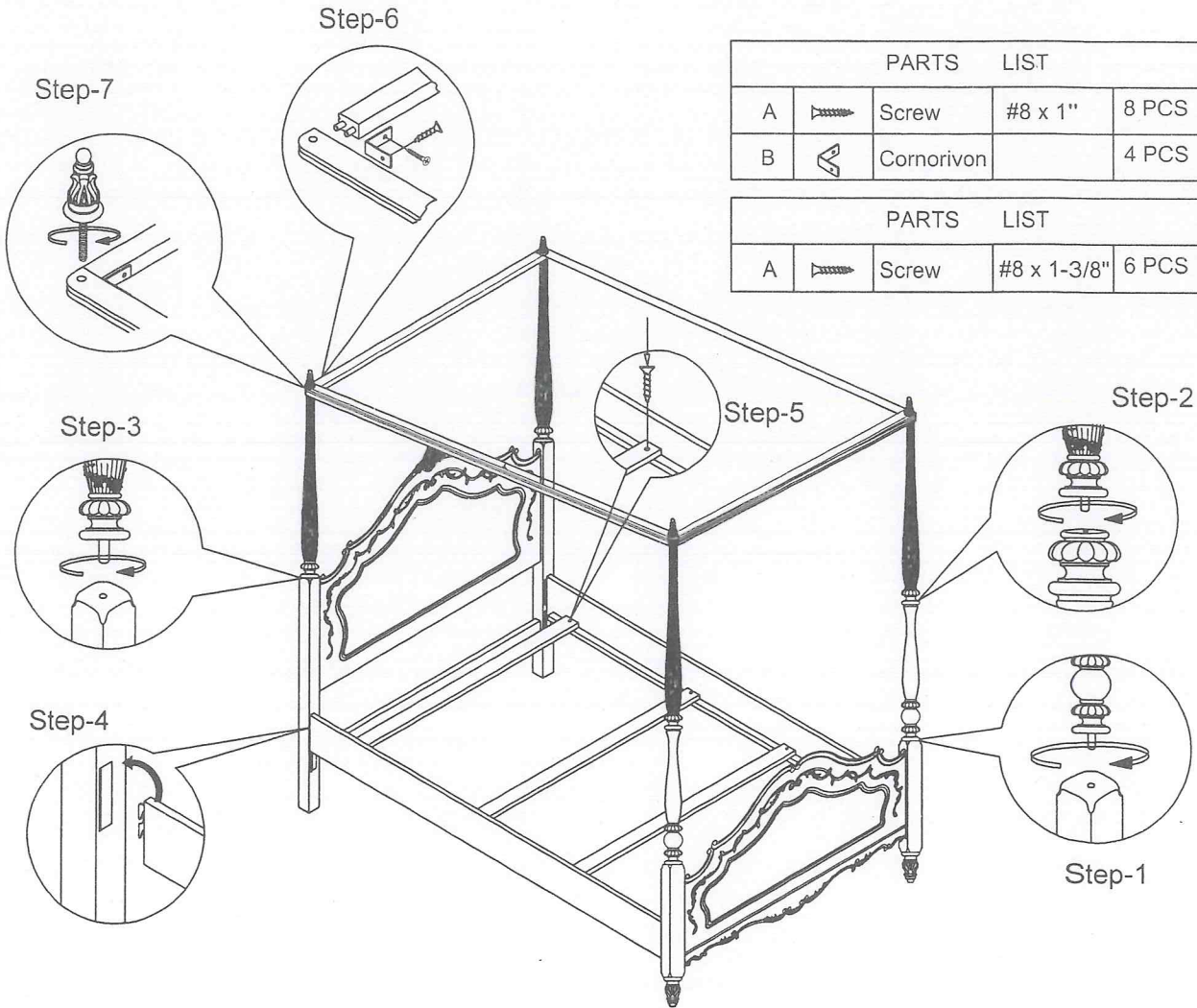
01003T-CANOPY/00998F-CANOPY3/3-4/6Poster Bed Canopy
 01000T-HB/01002T-R/01001T-FB 3/3 Poster Bed
 00995F-HB/00997F-R/00996F-FB 4/6 Poster Bed
 10995F-HB/10997F-R/10996F-FB 4/6 Upholstery Poster Bed
 11000T-HB/11002T-R/11001T-FB 3/3 Upholstery Poster Bed

Thank you for purchasing this quality product.

Be sure to check all packing material carefully for small parts, which may have come loose inside the carton during shipment.

*******Caution**

These bedding parts are cumbersome and heavy. This product can best be assembled with the assistance of one or more persons in order to prevent damage during the assembly process.



The bed should not be moved after it has been assembled without first disassembling the bed rails. Excessive movements while the bed rails are locked into place may damage bedding parts. Clean finished parts necessary with water solution on a damp cloth. Polish finish with soft cloth with industry recognized furniture polish.

MADE IN VIETNAM