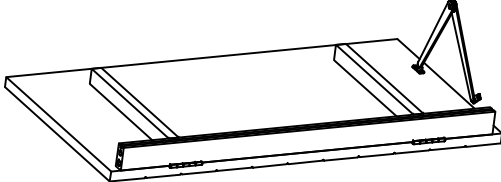


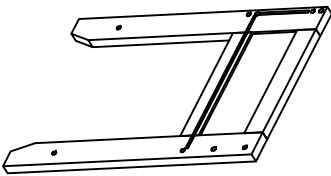
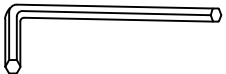
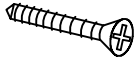

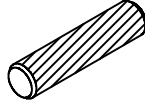
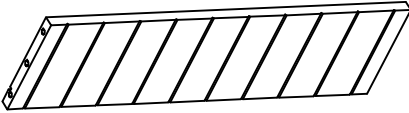
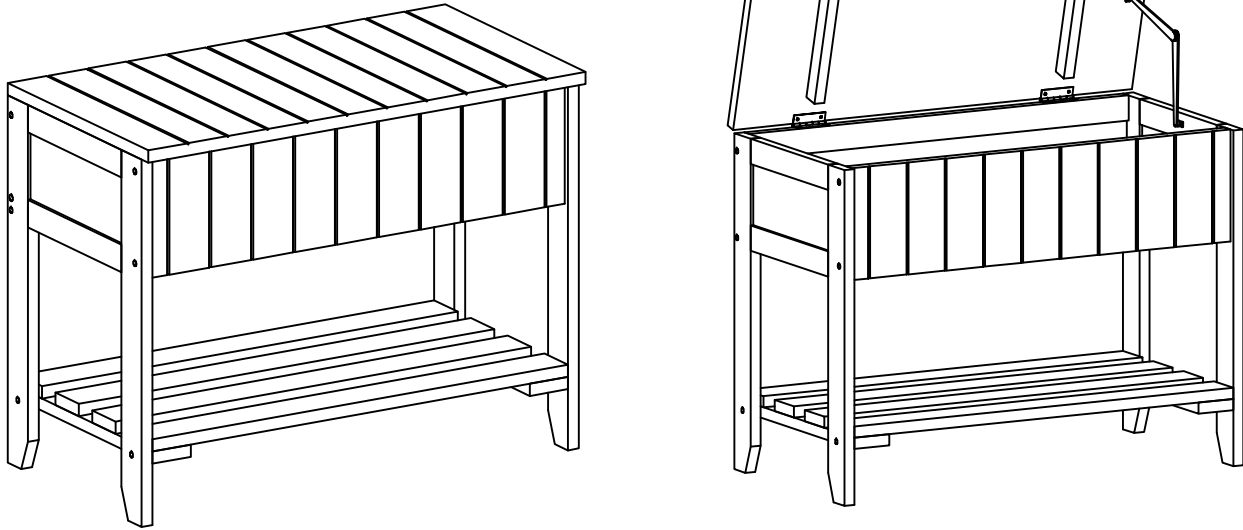

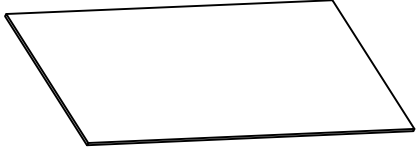


ITEM NO.98166.67 / STORAGE BENCH W/SHOE RACK

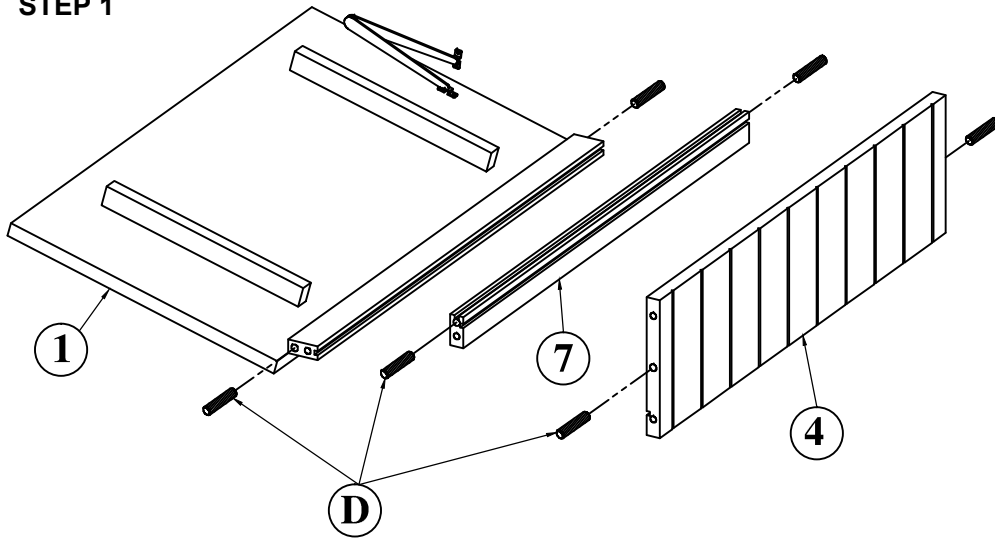
Assembly Instructions

Thank you for purchasing this quality product. Be sure to check all packing materials carefully for small parts which may have come loose inside the carton during shipment. Identify and count all parts and compare with the parts list below. **Assemble product on a flat, soft surface such as a carpet or cloth to prevent scratching the finish. Read all instruction and study the drawings carefully before starting the assembly process.

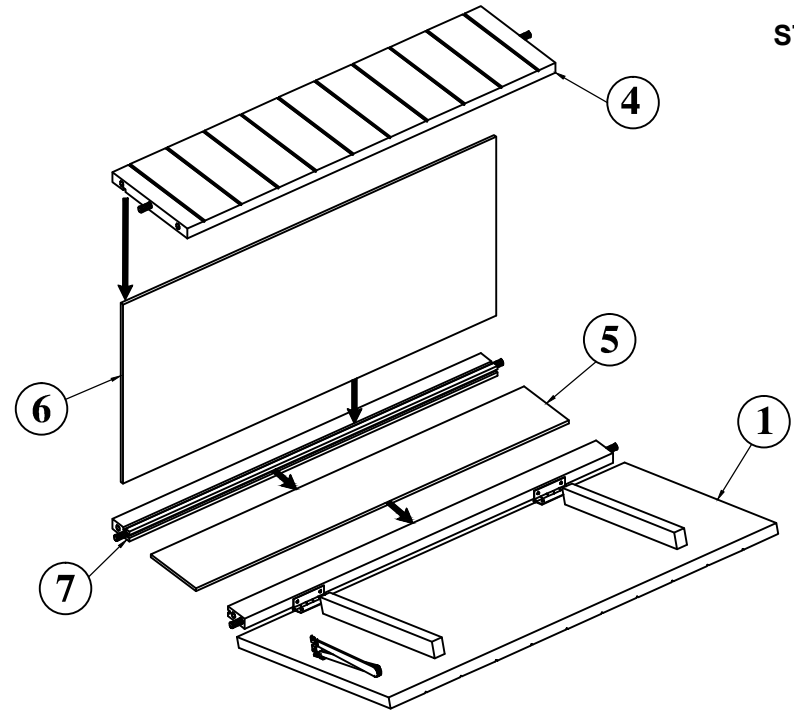
<p>1. SEATS 1 piece</p> 	<p>7. BACK RAIL 1 piece</p> 	<p>A. BOLT 12 pieces</p> 
<p>2. LED (L+R) 2 pieces</p> 	<p>B. ALLEN KEY 1 piece</p> 	<p>C. SMALL SCREW 2 pieces</p> 
<p>3. SHELF 1 piece</p> 	<p>D. WOODEN PEGS 6 pieces</p> 	
<p>4. FRONT 1 piece</p> 		
<p>5. BACK PANEL 1 piece</p> 		
<p>6. BOTTOM PANEL 1 piece</p> 		

ITEM NO.98166.67 / STORAGE BENCH W/SHOE RACK
Assembly Instructions

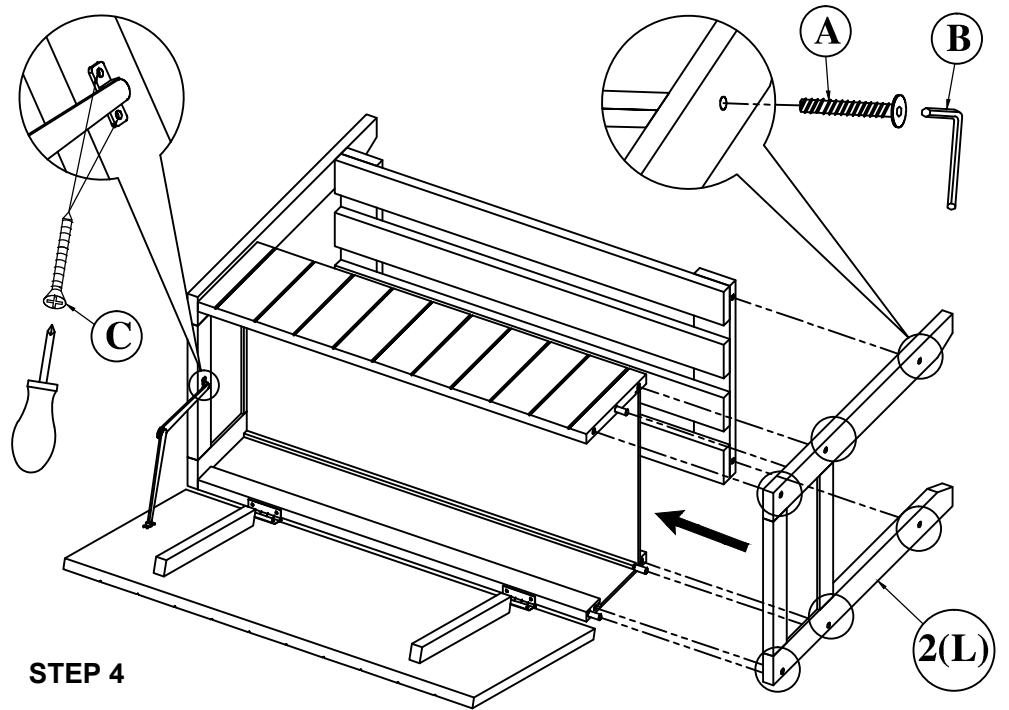
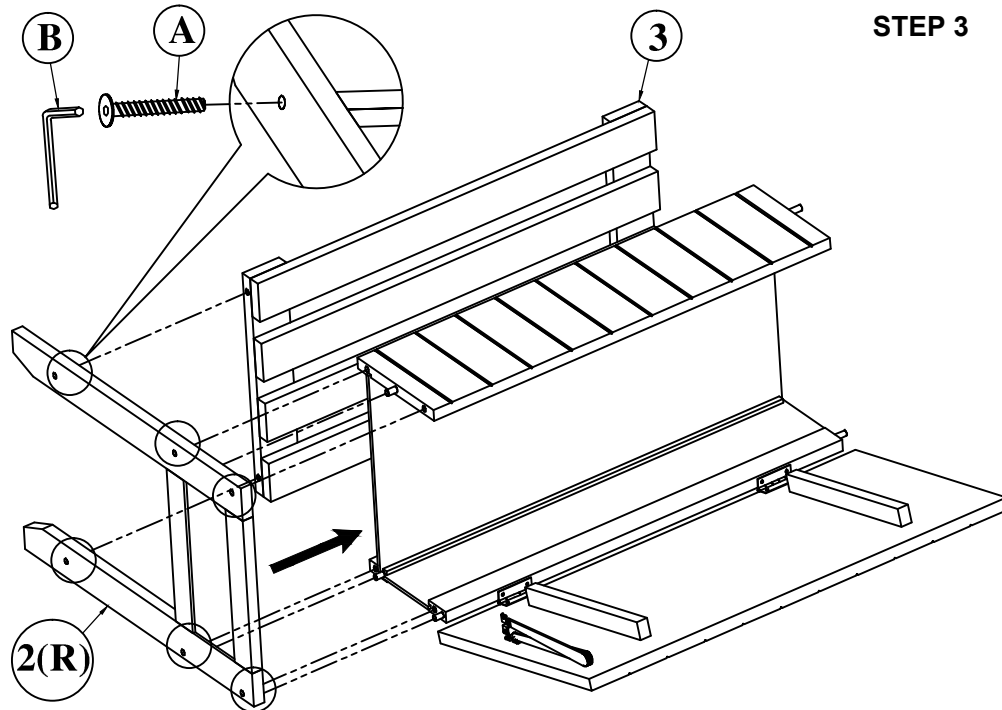
STEP 1



STEP 2



STEP 3



STEP 4