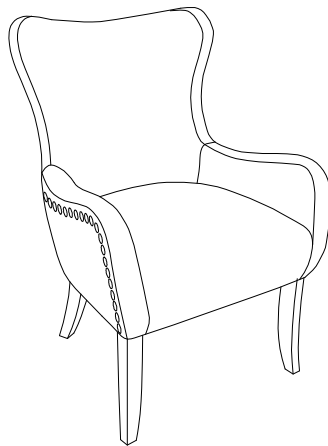


Assembly Instruction

ITEM NO: 59077/59398/59399
59400/59401/59402



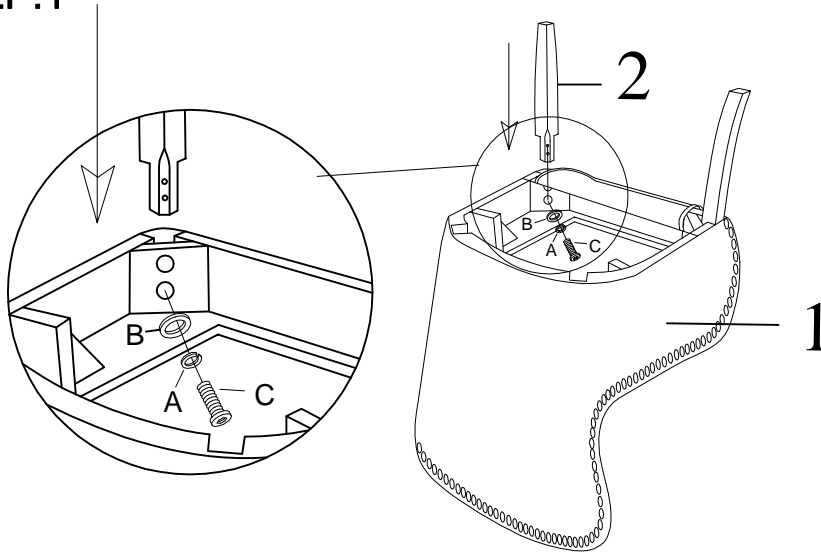
Thank you for purchasing this quality product. Be sure to check all packing materials carefully for small parts which may have come loose inside the carton during shipment. Separate, identify and count all parts and hardware. Compare with the parts list to be sure all parts are present. **"DO NOT TIGHTEN SCREWS BEFORE THEY ARE COMPLETELY ASSEMBLED."**

IMPORTANT
PLEASE READ INSTRUCTION BEFORE STARTING THE ASSEMBLY

ITEM NO: #59077/59398/59399 59400/59401/59402

Assembly Instructions

STEP:1



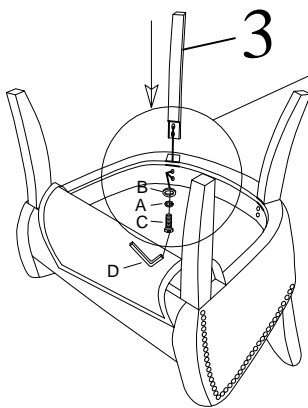
HARDWARE PACKAGE:

NO	DESCRIPTION	QTY
A	LOCK WASHER 5/16"	8 PCS
B	FLAT WASHER 5/16"	8 PCS
C	BOLT 5/16" X2"	8 PCS
D	ALLEN WRENCH 5mm	1 PC

PARTS IDENTIFICATION:

NO	DESCRIPTION	QTY
1	CUSHION	1 PC
2	FRONT LEGS	2 PCS
3	BACK LEGS	2 PCS

STEP:2



STEP:3

