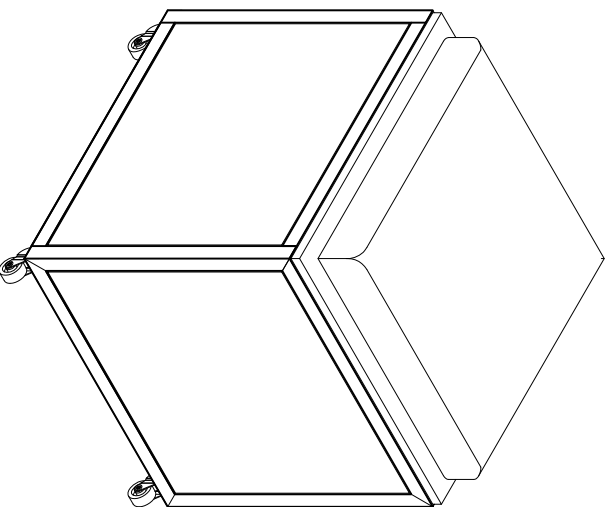
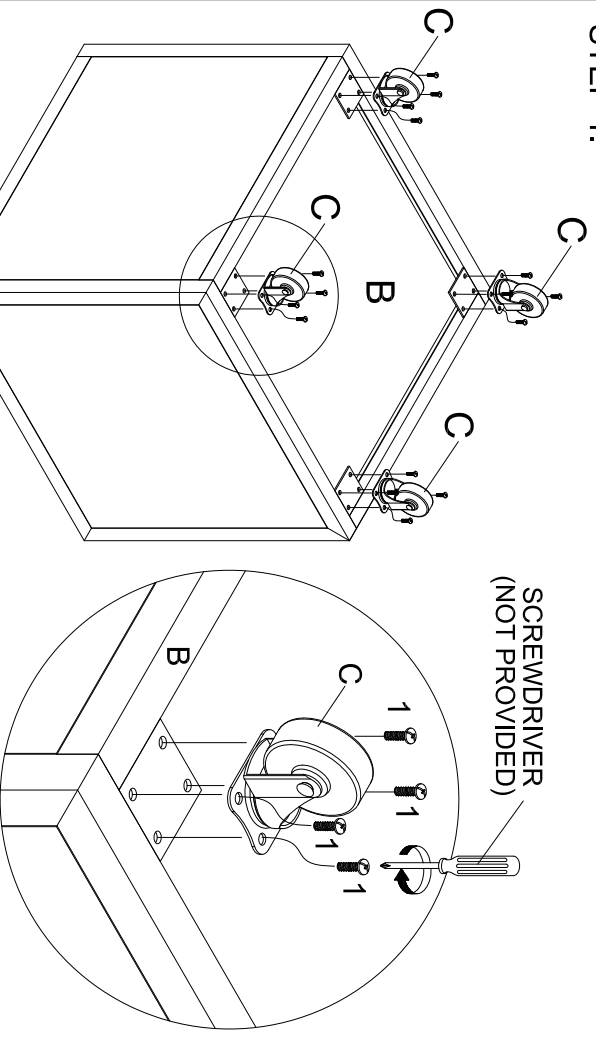


ASSEMBLY INSTRUCTIONS

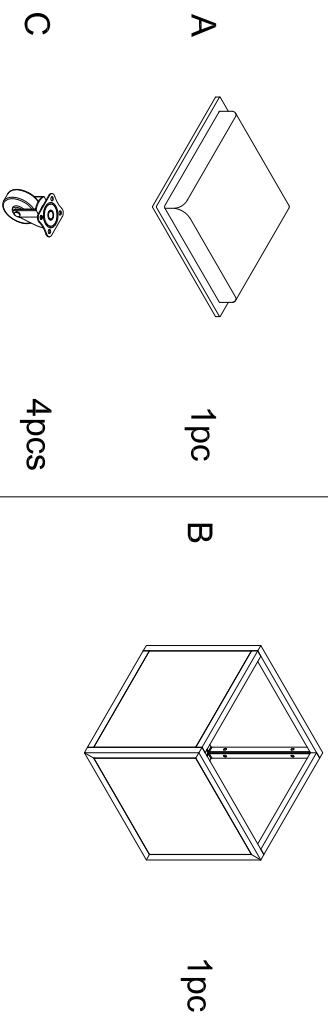
ITEM NO.:37572



STEP 1.



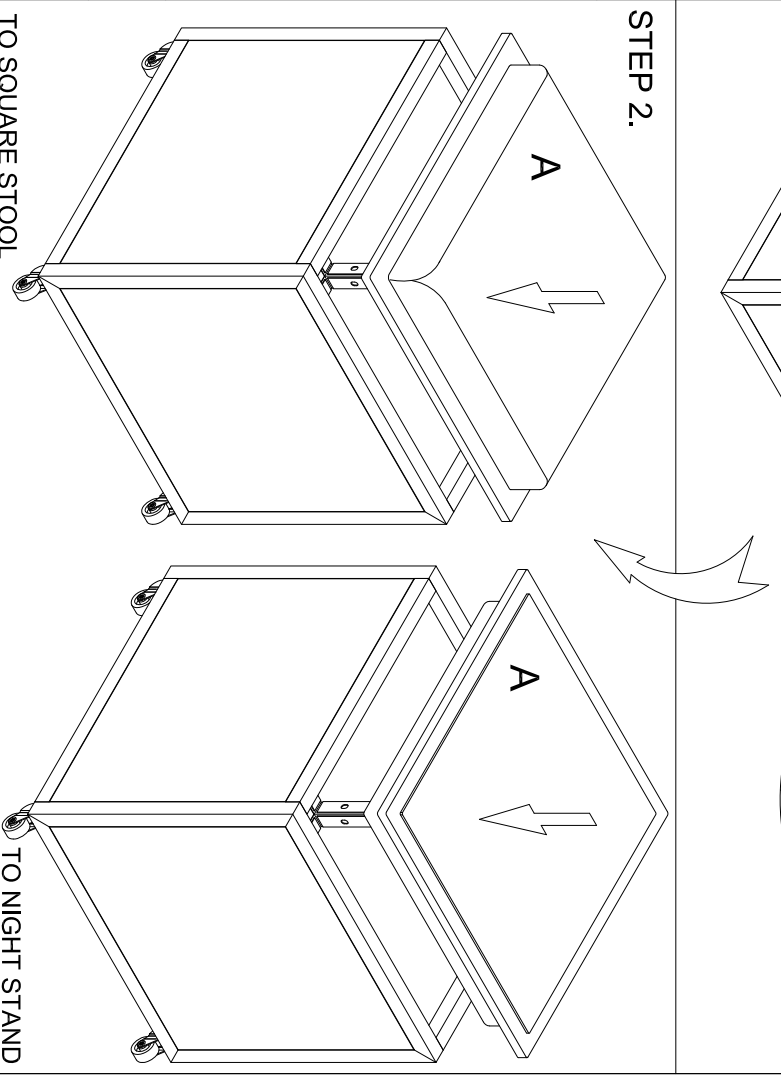
PARTS IDENTIFICATION



HARDWARE LIST

1		M4X10	16pcs
---	--	-------	-------

STEP 2.



Do not tighten screws until completely assembled.