
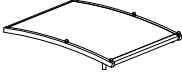
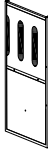



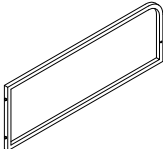
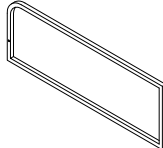
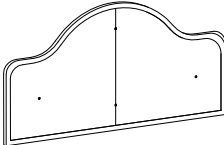


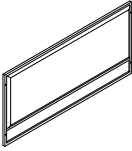
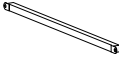
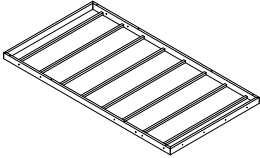

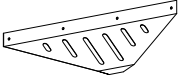
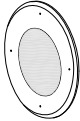





ASSEMBLY INSTRUCTION FOR ACME FURNITURE

MODEL# 37560T Train Bed










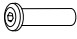




Thank you for purchasing this quality product. Be sure to check all packing materials carefully for small parts which may have come loose inside the carton during shipment. Separate, identify, and count all parts and metal hardware. Compare with parts list to be sure all parts are present. If any part(s) are missing or damaged, please contact your local furniture dealer. For efficient and speedy service, please indicate the model number and code letter of the part(s) needed.

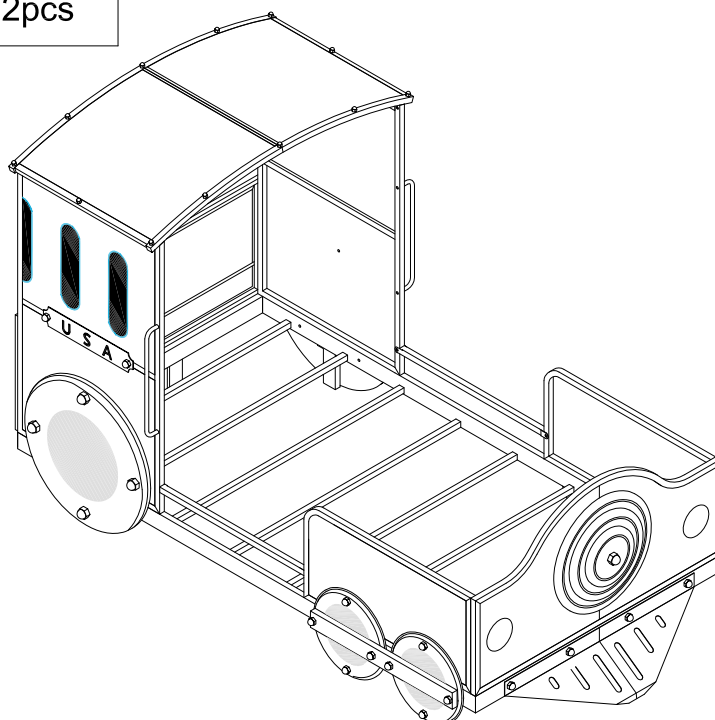
***** Do not fully tighten screws until fully assembled *****

COMPONENT PARTS		
DECERPTION	PART NAME	Q'TY(PCS)
①	Top Left Plate 	1pc
②	Top Right Plate 	1pc
③	Left Upright Plate 	1pc
④	Right Upright Plate 	1pc
⑤	Nameplate 	2pcs
⑥	Handle 	2pcs
⑦	Left Front Plate 	1pc
⑧	Right Front Plate 	1pc
⑨	Front Plate 	1pc

⑩	Back Palte		1pc
⑪	Connection Tube		2pcs
⑫	Bed Board		1pc
⑬	Support		5pcs
⑭	Train Head Palte		1pc
⑮	Big Wheel		2pcs
⑯	Small Wheel		4pcs
⑰	Wheel Connect Tube		2pcs
⑱	Back Round Plate		1pc
⑲	Middle Round Plate		1pc
⑳	Front Ruond Plate		1pc

HARDWARE REQUIRED:

(A) 	Bolt 1/4"x5/16" - 2pcs
(B) 	Bolt 1/4"x5/8" - 19pcs
(C) 	Bolt 1/4"x1" - 14pcs
(D) 	Bolt 1/4"x1-1/8" - 3pcs
(E) 	Bolt 1/4"x2-3/8" - 11pcs
(F) 	Nut 17x17x18(Red) - 12pcs
(G) 	Nut 32x32x30 - 9pcs
(H) 	Rod 1/4"x1" - 8pcs
(I) 	Rod 1/4"x2-1/8" - 8pcs
(J) 	Nut M6x22 - 2pcs
(K) 	Allen Wrench M4 - 2pcs
(L) 	Headlight - 2pcs
(M) 	Bolt 1/4"x3/8" - 18pcs
(N) 	Nut 17x17x18(Black) - 12pcs



Attention:

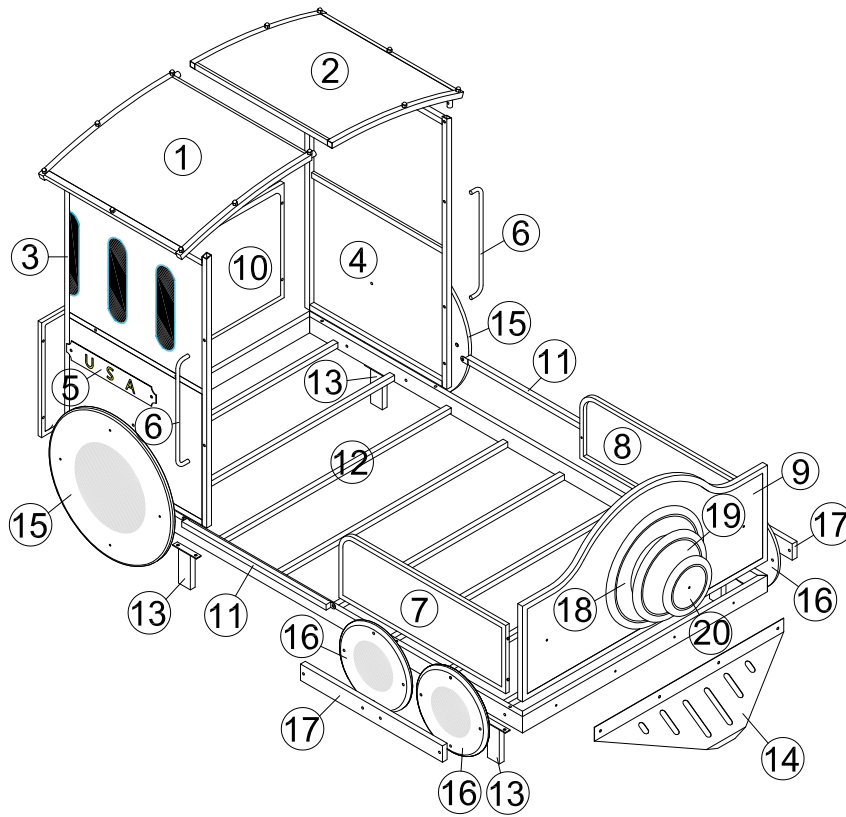
***Mattresses not included.

***Some number parts listed on the instruction sheet may not be in parts bag as they may already be assemble.
Carefully check parts and packing materials prior to ordering replacements.

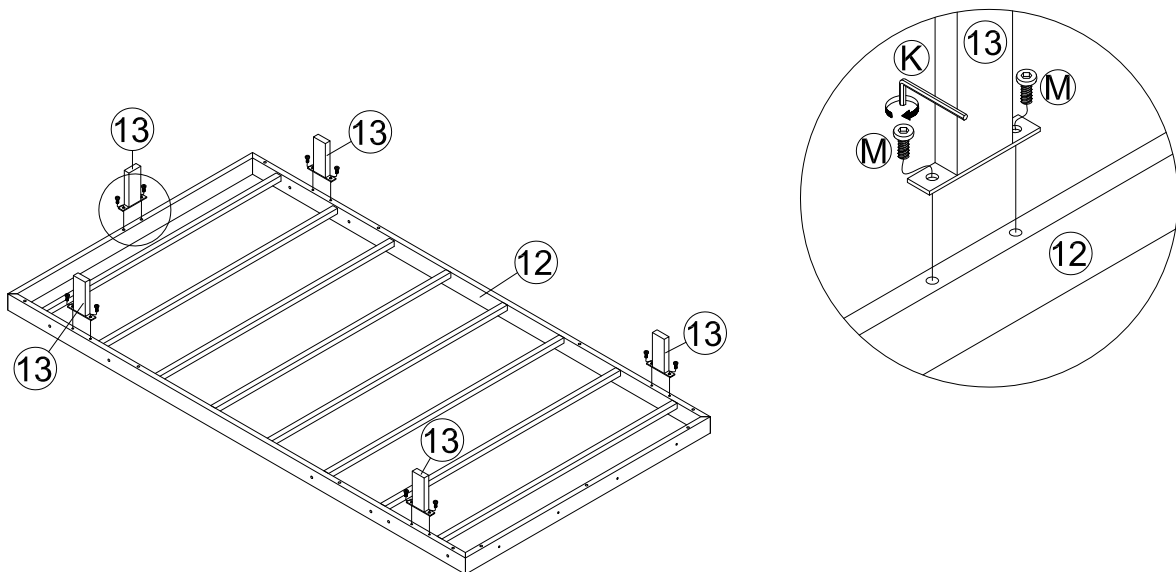
How to Assemble:

STEP 1.

Exploded View



STEP 2.

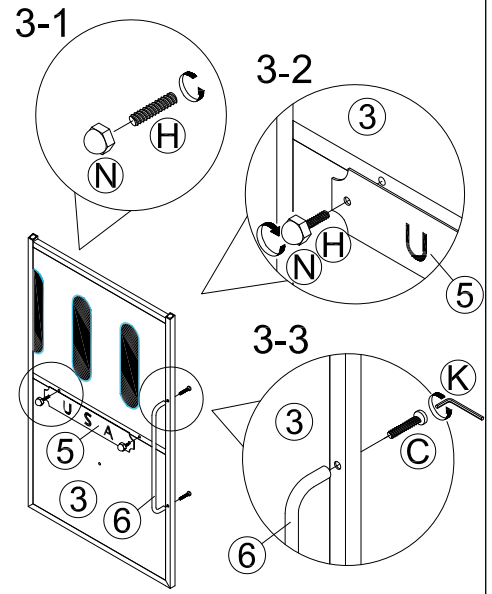
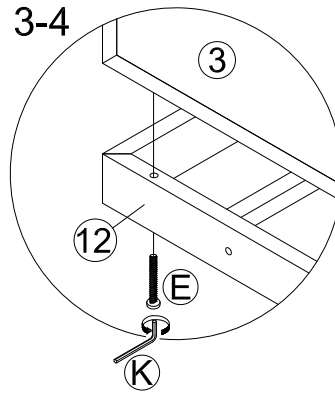
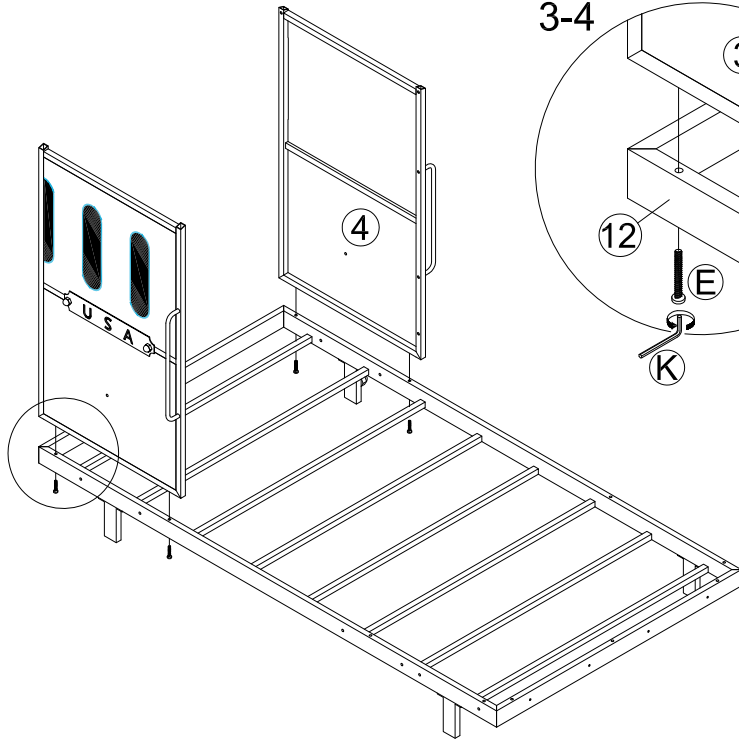


DO NOT TIGHTEN THE SCREWS UNTIL ASSEMBLING THE FINAL STEP.

  10pcs

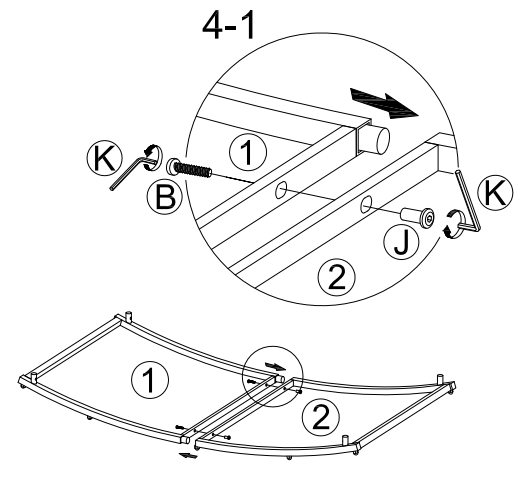
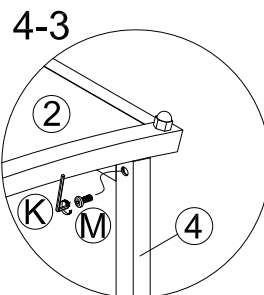
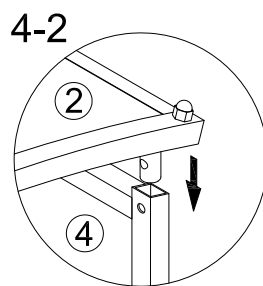
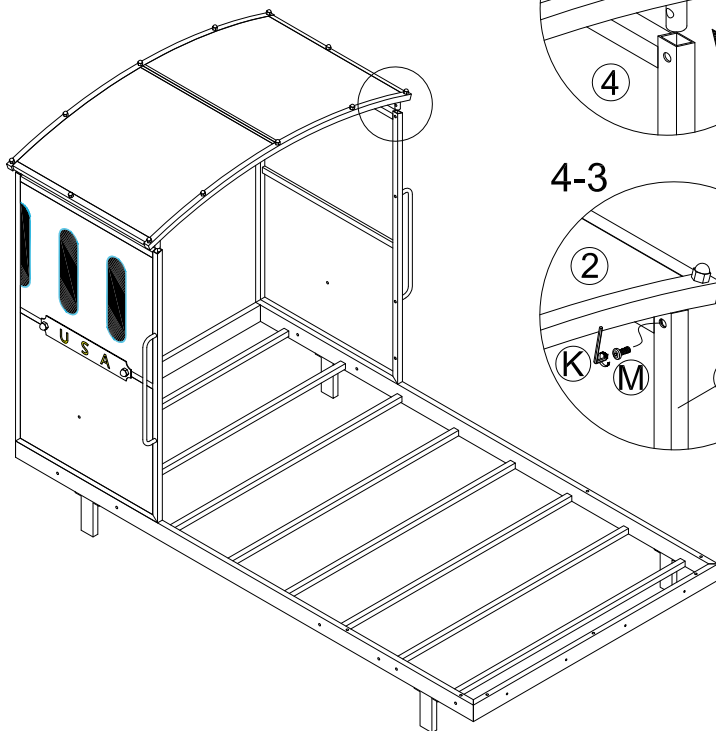
How to Assemble:

STEP 3.



(C)		4pcs
(E)		4pcs
(H)		4pcs
(N)		4pcs

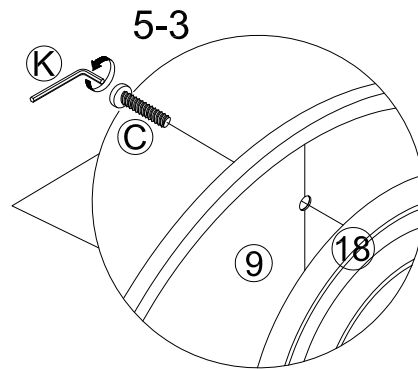
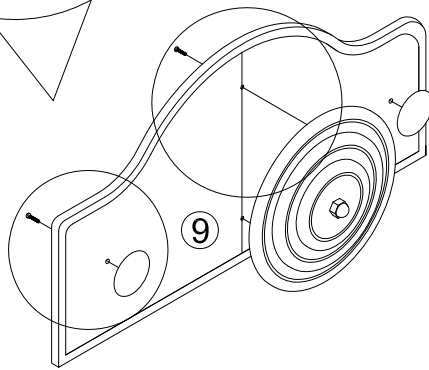
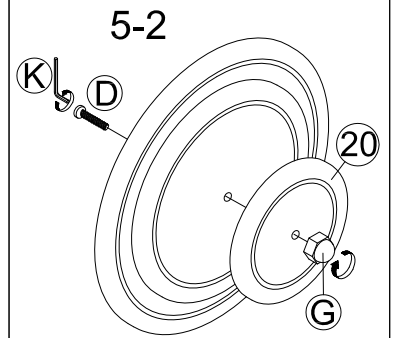
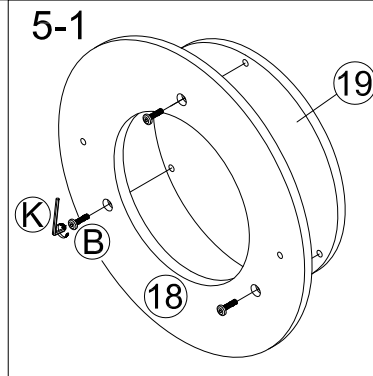
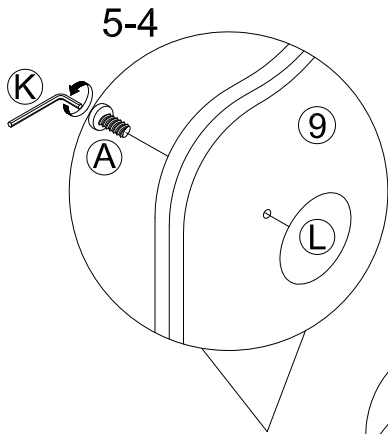
STEP 4.



(B)		2pcs
(J)		2pcs
(M)		4pcs

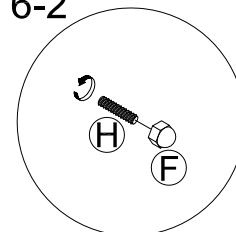
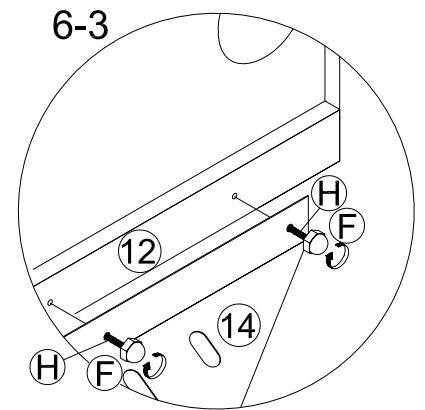
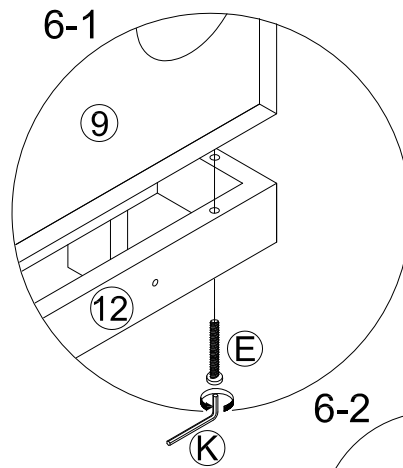
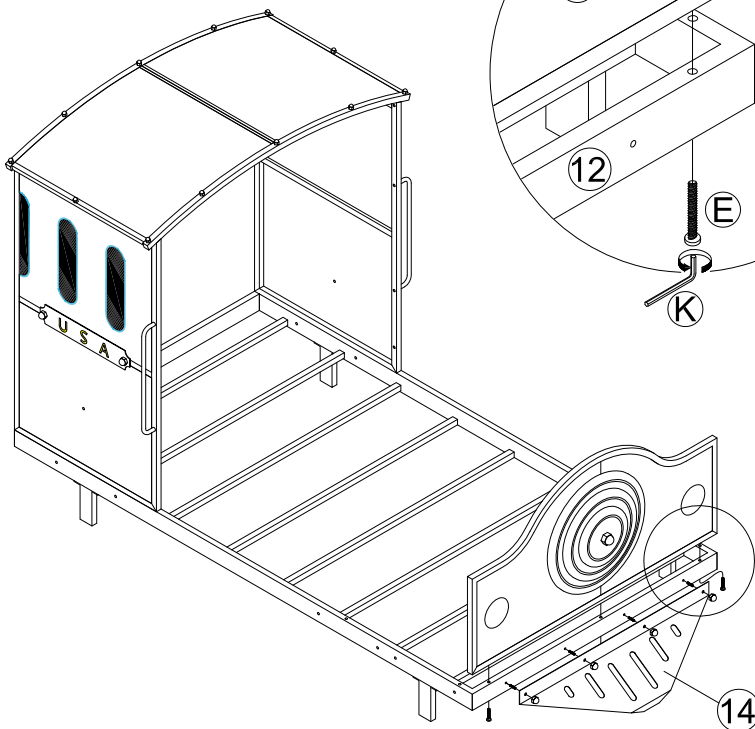
How to Assemble:

STEP 5.



(A)		2pcs
(B)		3pcs
(C)		2pcs
(D)		1pc
(G)		1pc
(L)		2pcs

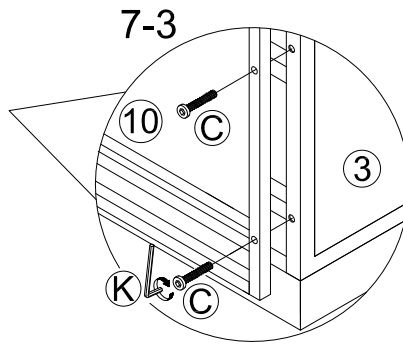
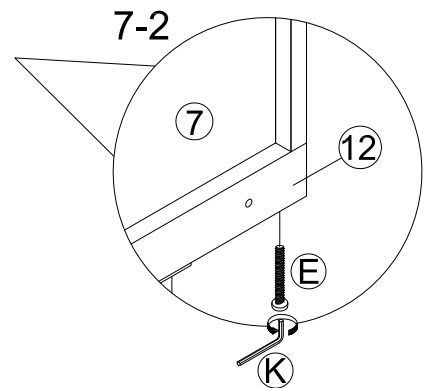
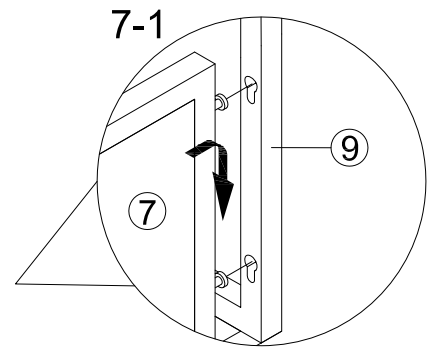
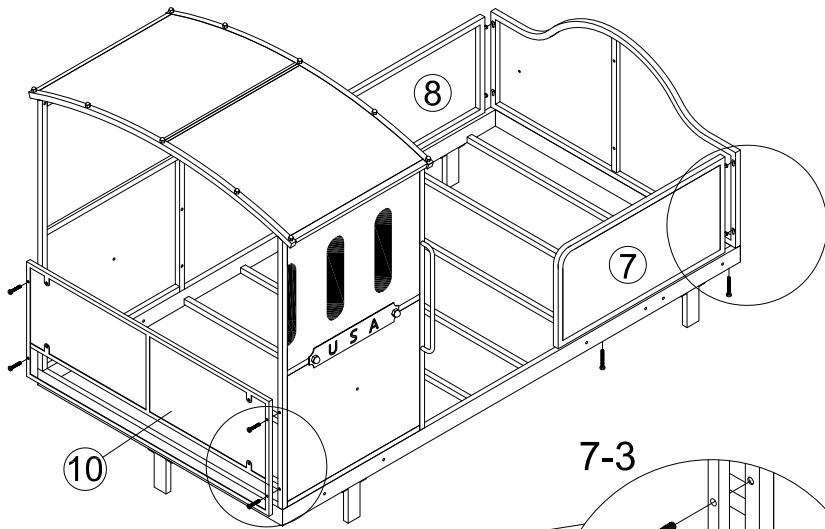
STEP 6.



(E)		3pcs
(F)		4pcs
(H)		4pcs

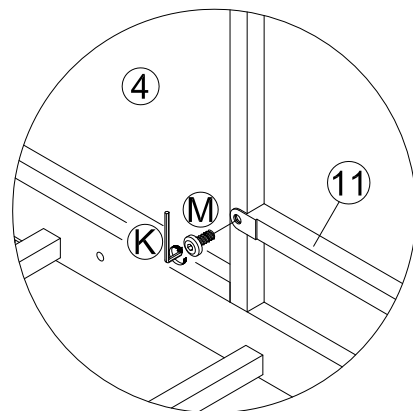
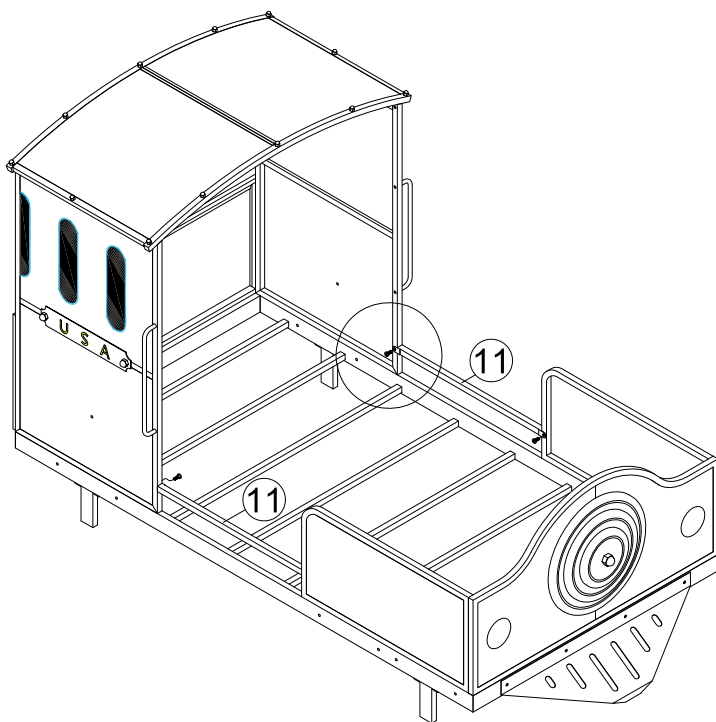
How to Assemble:

STEP 7.



C		4pcs
E		4pcs

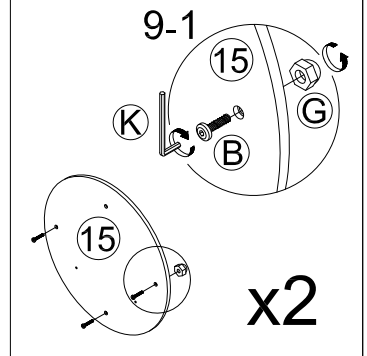
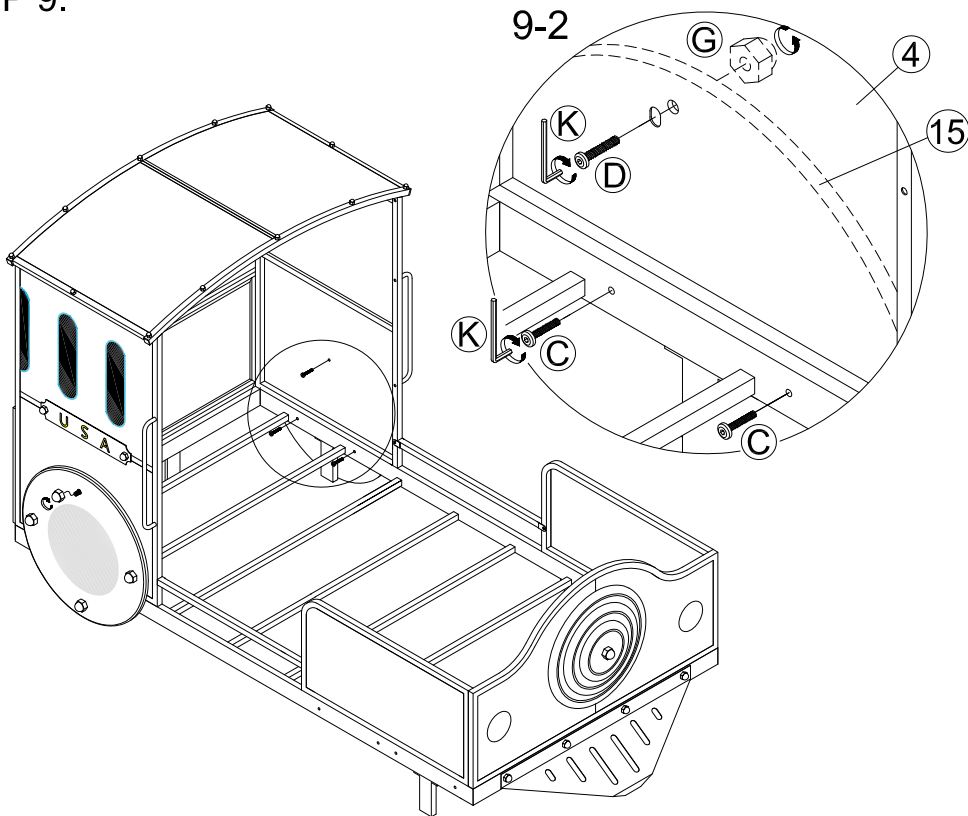
STEP 8.



M		4pcs
---	--	------

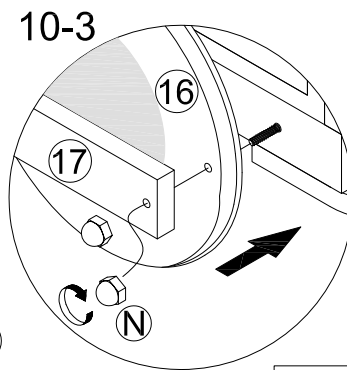
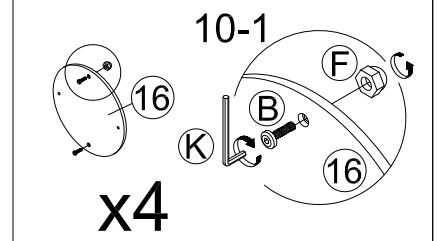
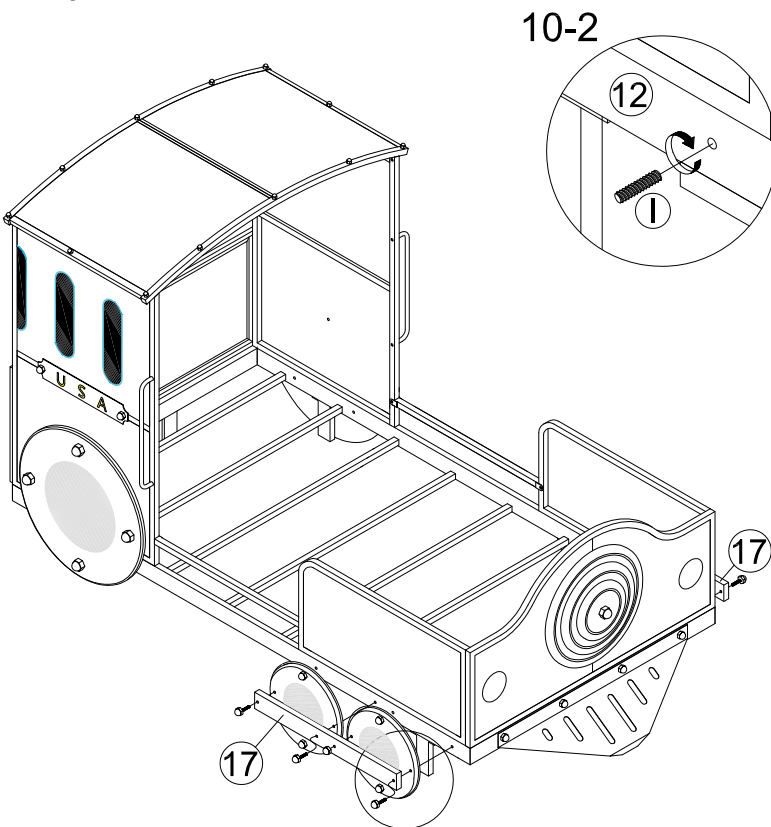
How to Assemble:

STEP 9.



B		6pcs
C		4pcs
D		2pcs
G		8pcs

STEP 10.



B		8pcs
F		8pcs
I		8pcs
N		8pcs