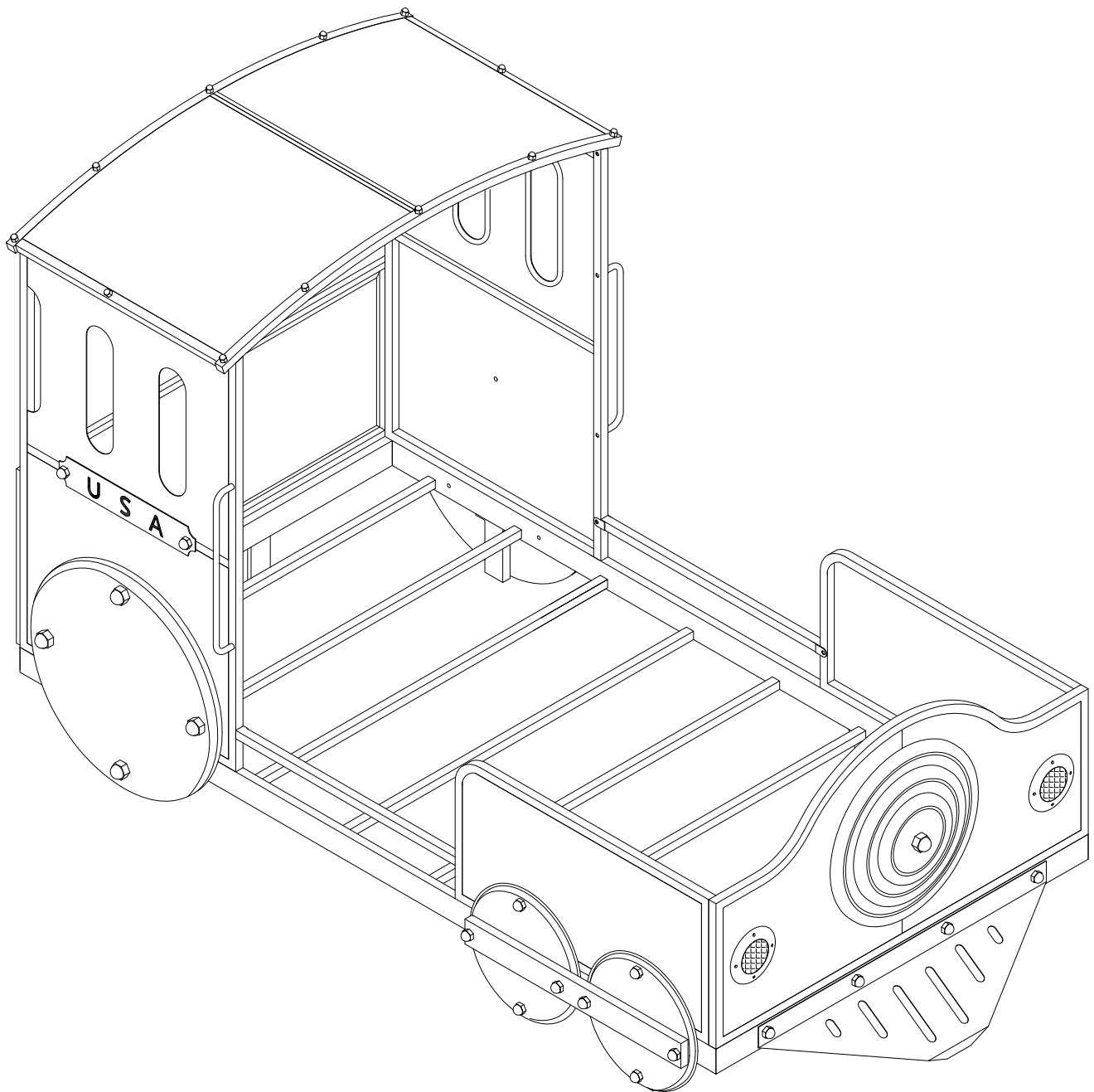


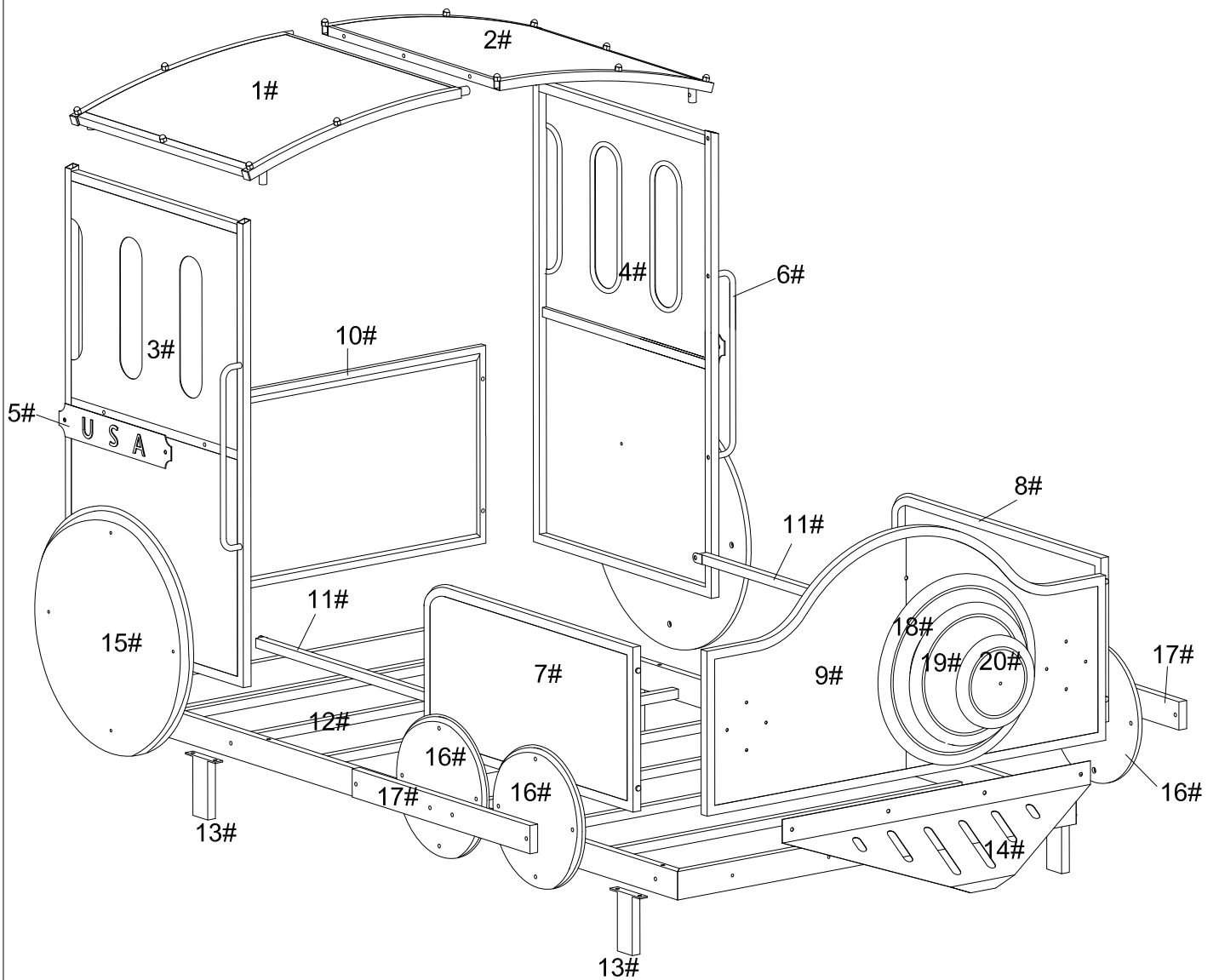
# ASSEMBLY INSTRUCTIONS

ITEM NO.:37505T


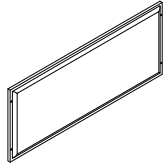
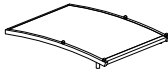
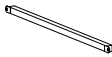
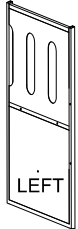
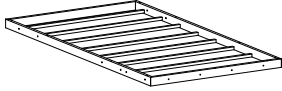
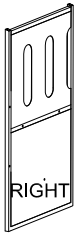


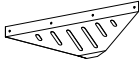




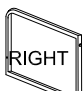

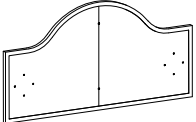





**Do not tighten screws until completely assembled.**








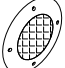

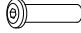





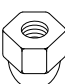
# PARTS IDENTIFICATION



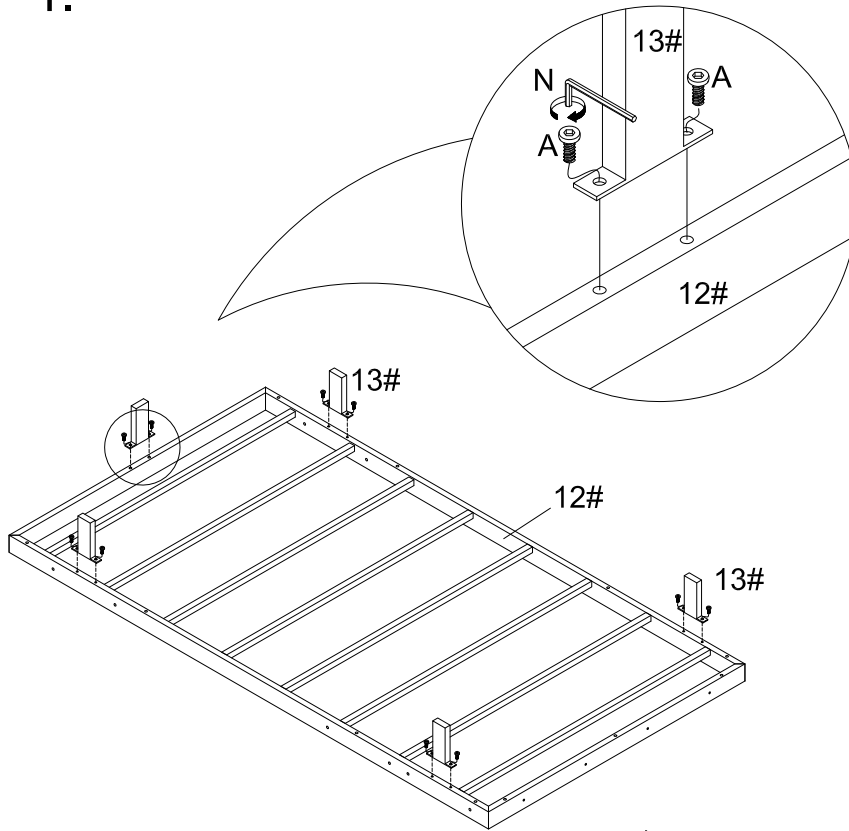
# PARTS IDENTIFICATION

1#		1pc	10#		1pc
2#		1pc	11#		2pcs
3#		1pc	12#		1pc
4#		1pc	13#		5pcs
5#		2pcs	14#		1pc
6#		2pcs	15#		2pcs
7#		1pc	16#		4pcs
8#		1pc	17#		2pcs
9#		1pc	18#		1pc
			19#		1pc
			20#		1pc

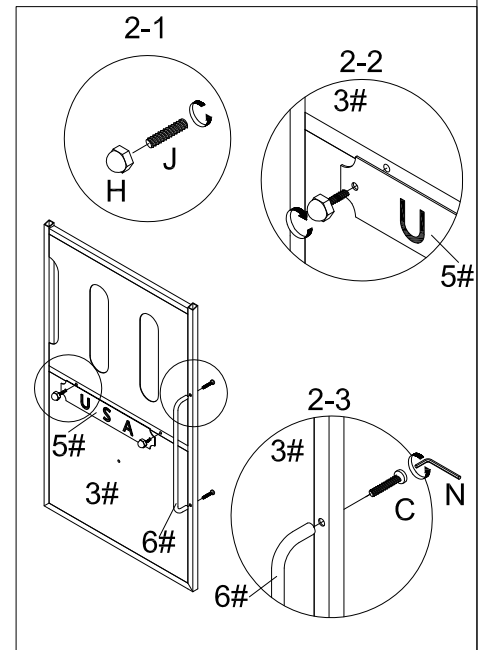
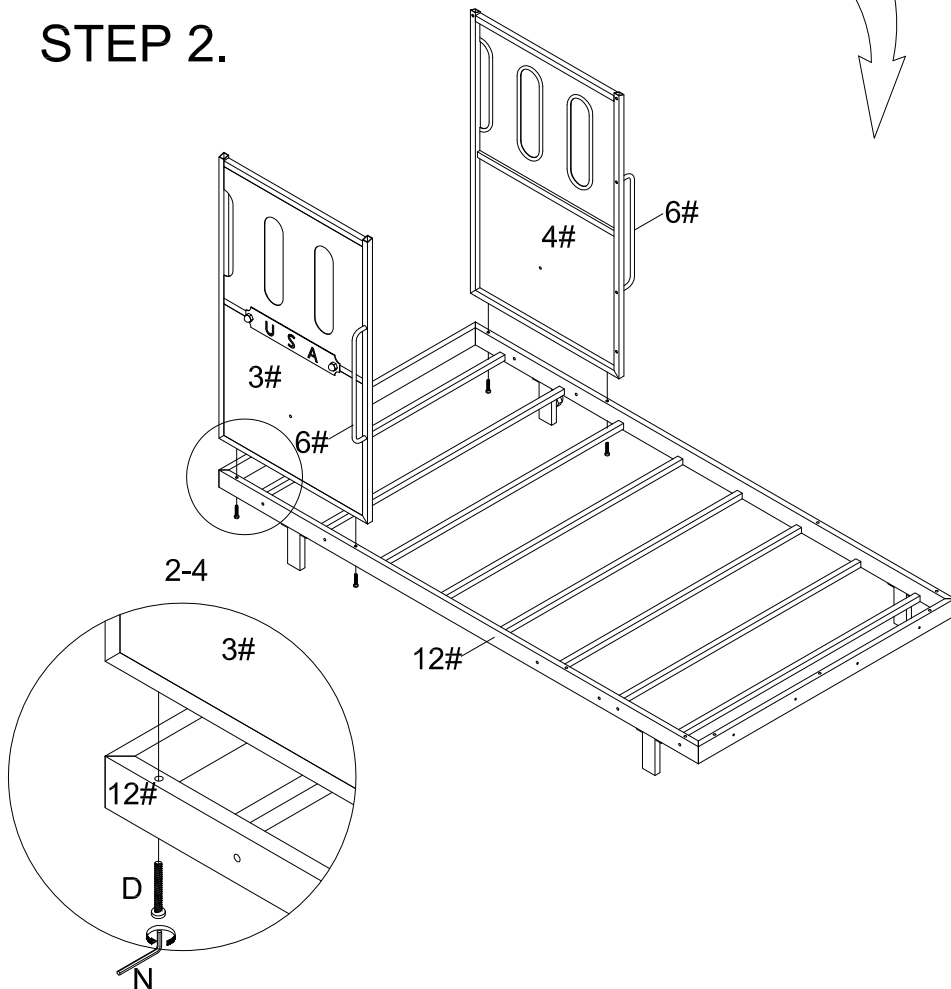
## HARDWARE LIST

A		M6x15	38pcs	I		GREEN 17x18	8pcs
B		M6x25	6pcs	J		M6x25	8pcs
C		M6x30	11pcs	K		M6x60	8pcs
D		M6x70	11pcs	L		Ø124	2pcs
E		M4x8	8pcs	M		M6x18	3pcs
F		M4	8pcs	N		4x4	2pcs
G		BLACK 17x18	8pcs	O		YELLOW 32x32x30	8pcs
H		YELLOW 17x18	8pcs	P		BLACK 32x32x30	1pc

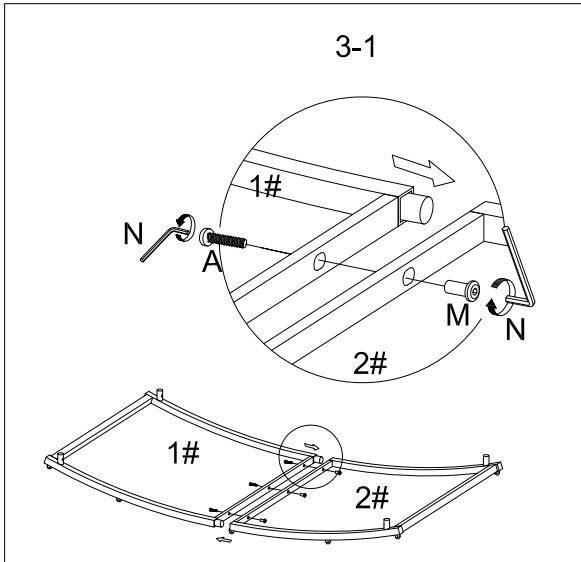
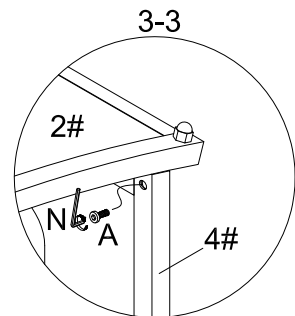
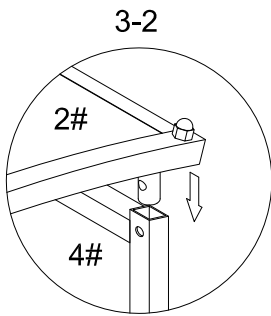
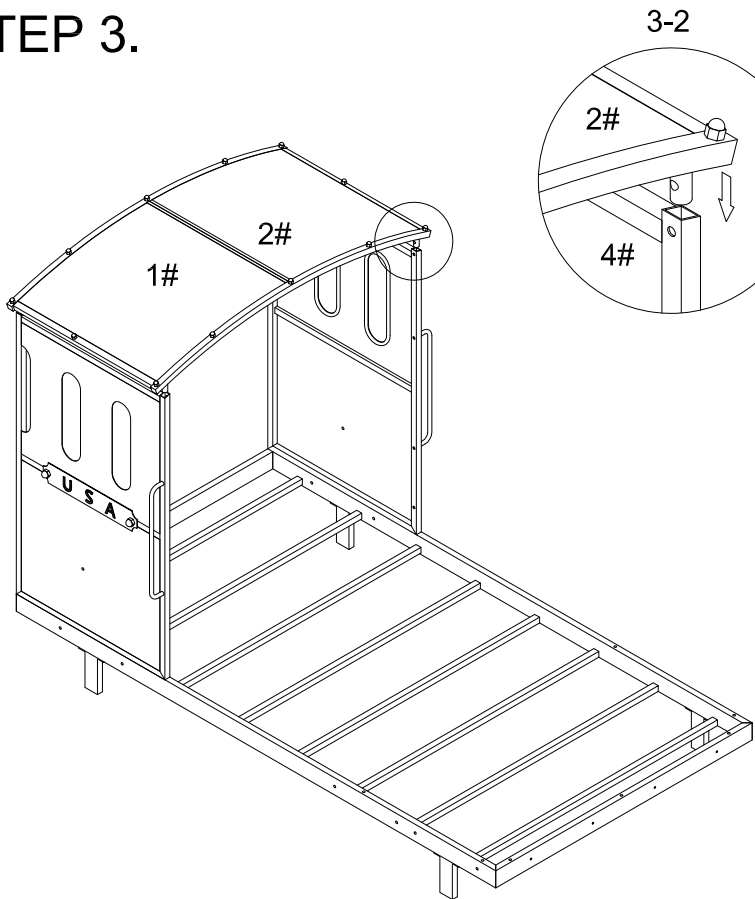
# STEP 1.



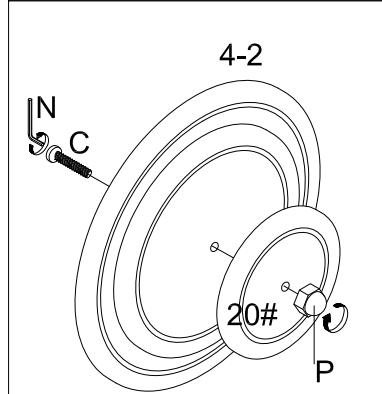
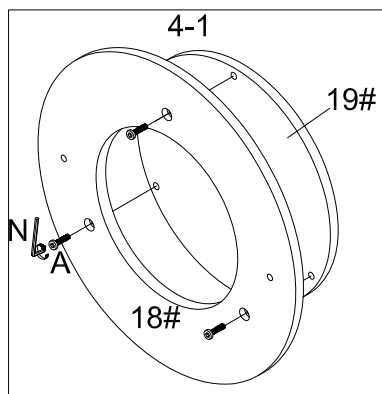
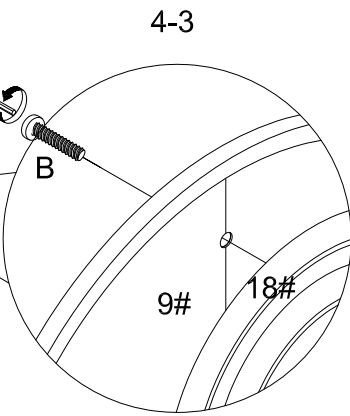
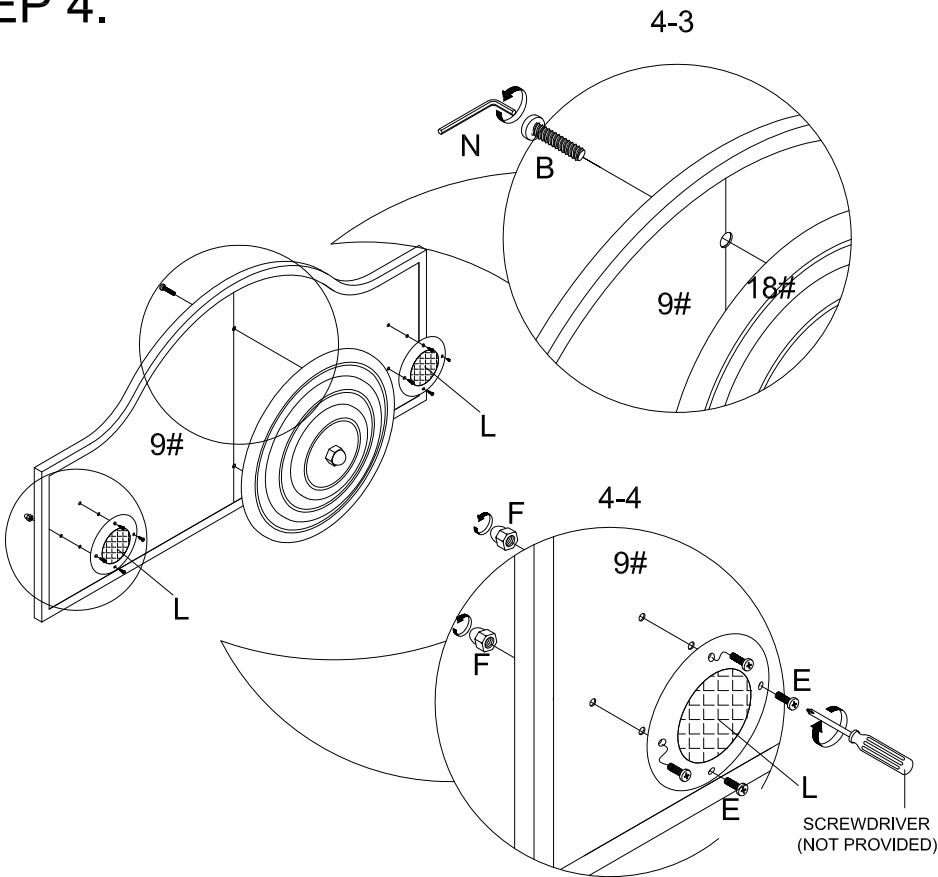
# STEP 2.



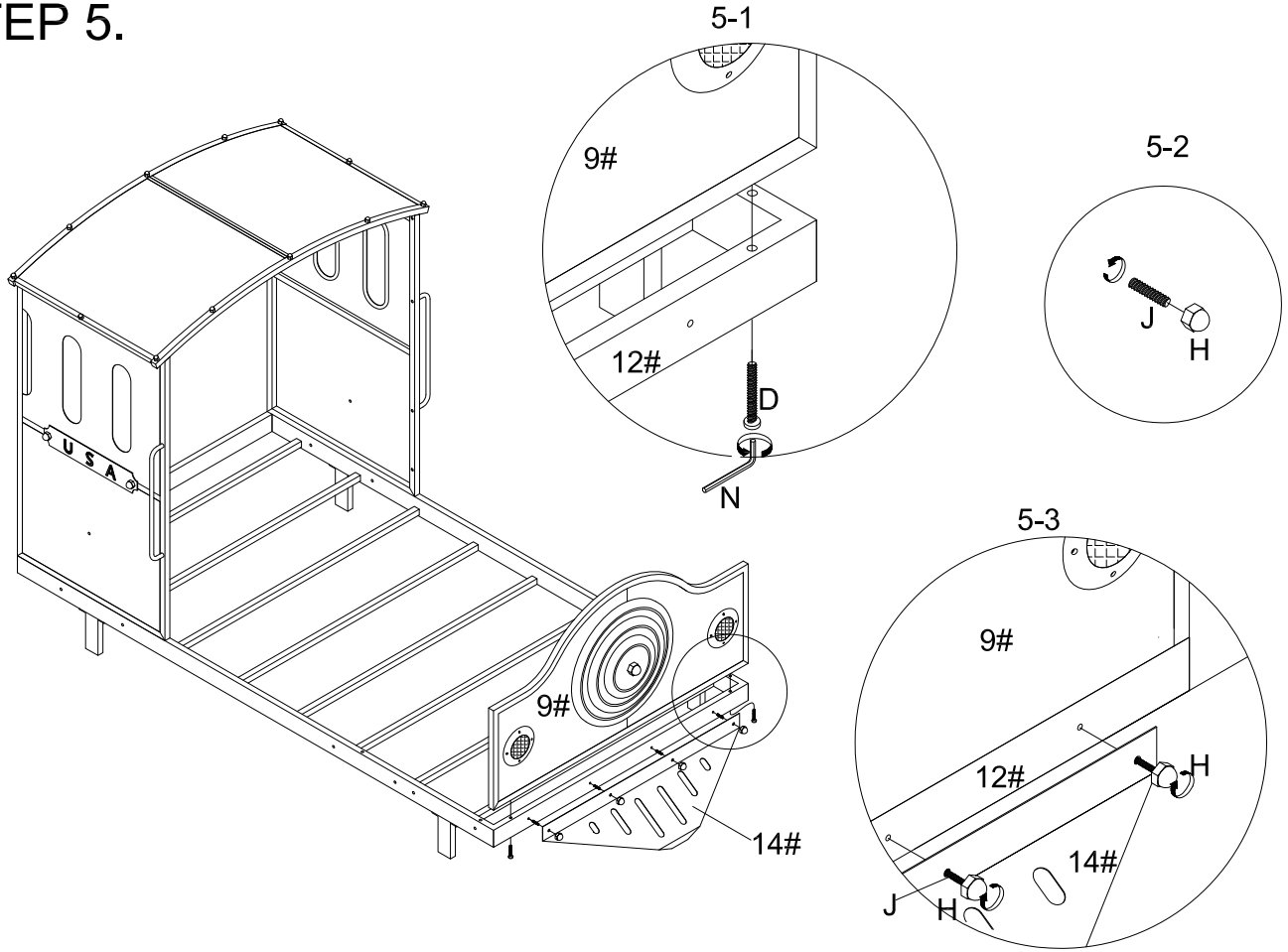
# STEP 3.



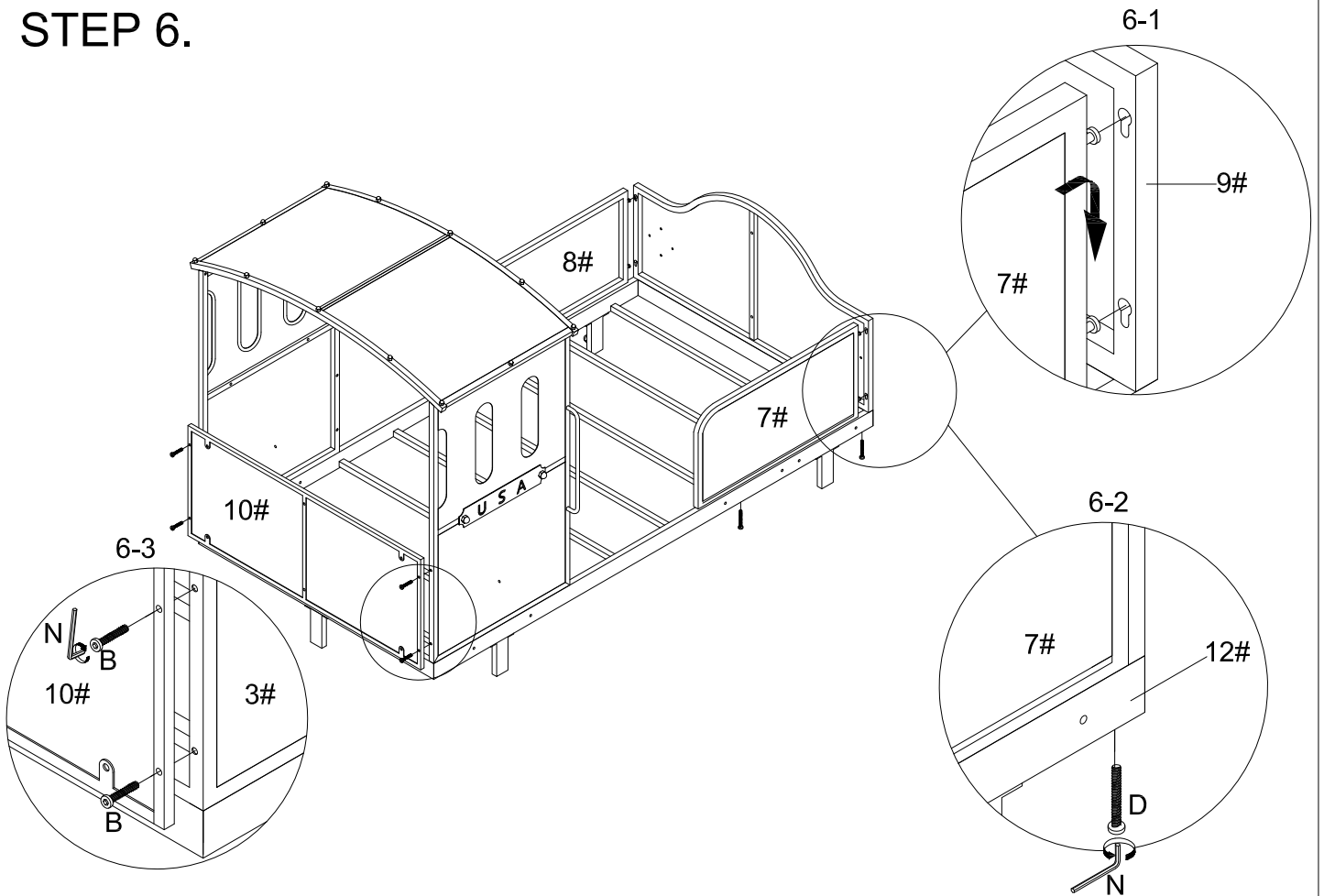
# STEP 4.



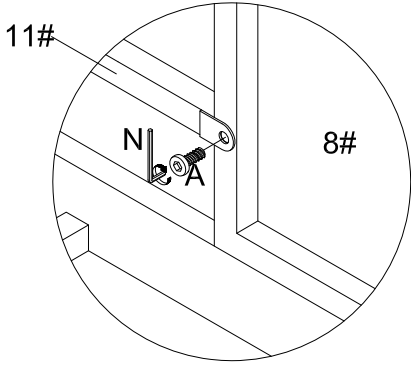
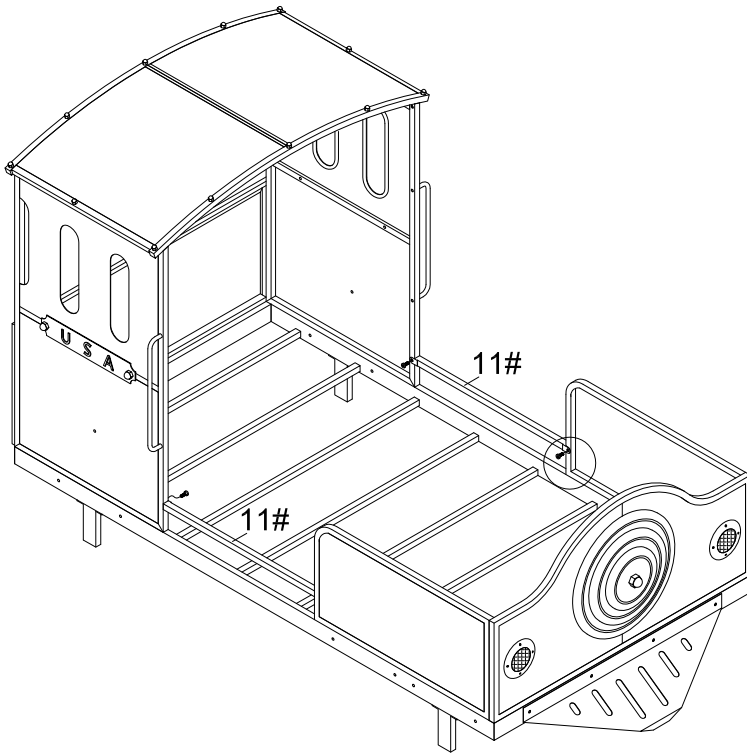
# STEP 5.



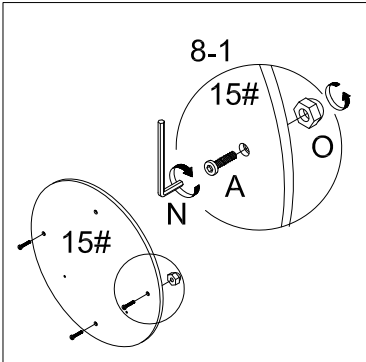
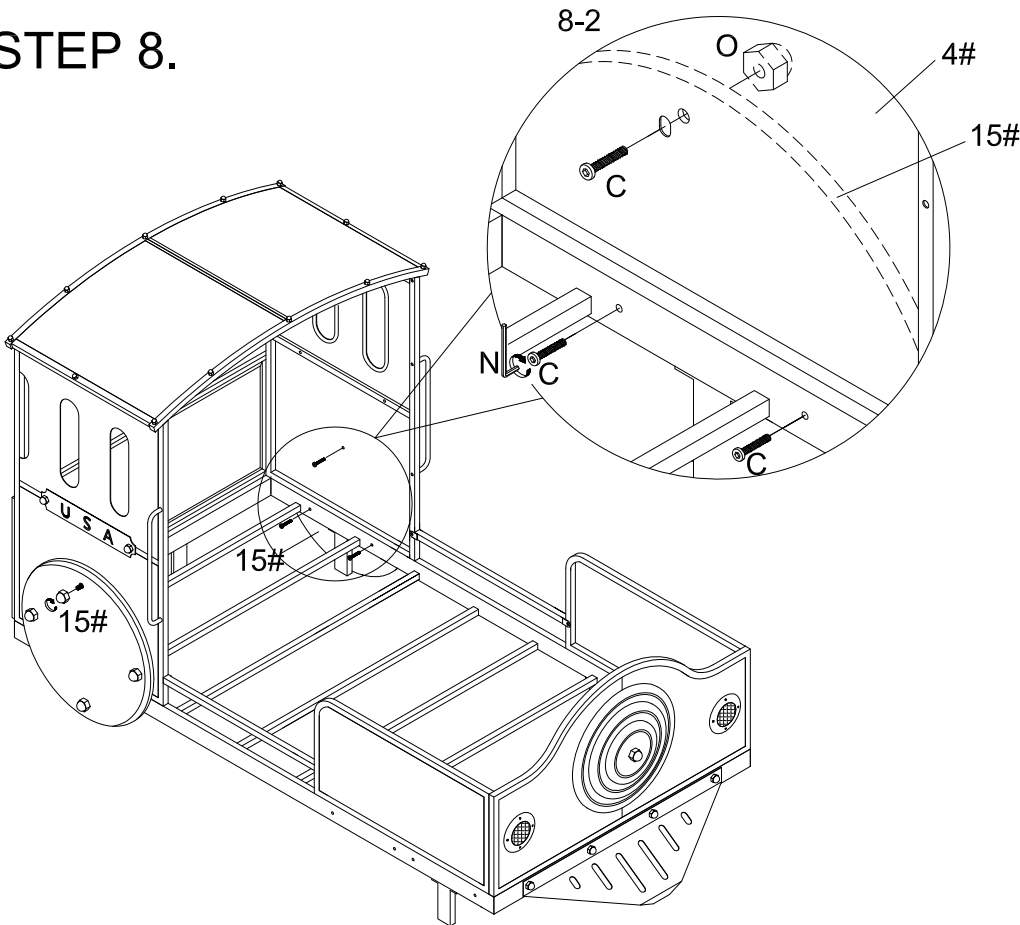
# STEP 6.



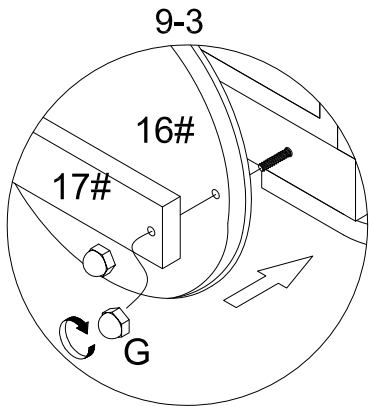
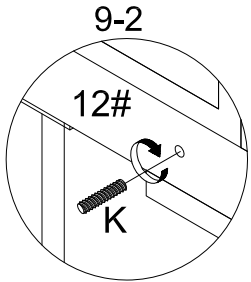
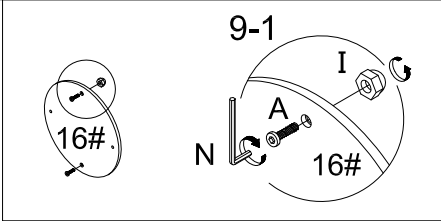
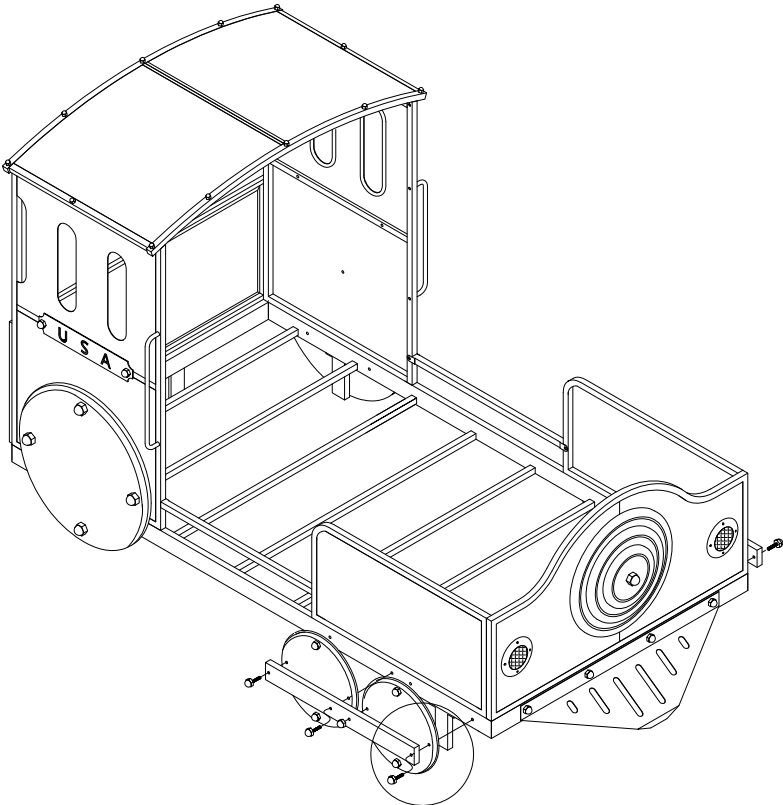
# STEP 7.



# STEP 8.



# STEP 9.



# STEP 10.

